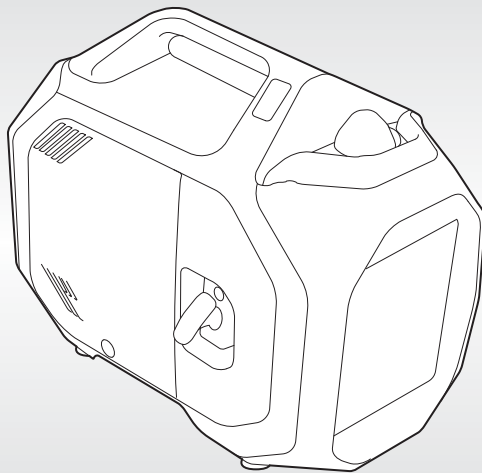


HONDA

GENERATOR

EU32i



OWNER'S MANUAL
MANUEL DE L'UTILISATEUR
BEDIENUNGSANLEITUNG
MANUALE DELL'UTENTE

Service & Support



Honda EU32i

OWNER'S MANUAL

Original instructions

MANUEL DE L'UTILISATEUR

Notice originale

BEDIENUNGSANLEITUNG

Originalbetriebsanleitung

MANUALE DELL'UTENTE

Traduzione delle istruzioni originali

 **WARNING**

Exhaust contains poisonous carbon monoxide gas that can build up to dangerous levels in enclosed or partly enclosed areas.

Breathing carbon monoxide can cause unconsciousness or death.

Never run this product's engine in an enclosed, or even partly enclosed area.

Keep this owner's manual handy so that you can refer to it any time. This owner's manual is considered a permanent part of the generator and should remain with the generator if resold.

The information and specifications included in this publication were in effect at the time of approval for printing. Honda Motor Co., Ltd. reserves the right, however, to discontinue or change specifications or design at any time without notice and without incurring any obligation whatsoever.

The illustration may vary according to the type.

INTRODUCTION

Thank you for purchasing a Honda generator.

We would like to help you get the best results from your new generator and to operate it safely. This manual contains the information on how to do that; please read it carefully.

We suggest you read the warranty to fully understand its coverage and your responsibilities of ownership.

When your generator needs scheduled maintenance, keep in mind that your Honda servicing dealer is specially trained in servicing Honda generators. Your Honda servicing dealer is dedicated to your satisfaction and will be pleased to answer your questions and concerns.

INTRODUCTION


A FEW WORDS ABOUT SAFETY

Your safety and the safety of others are very important.

We have provided important safety messages in this manual and on the generator. This information alerts you to potential hazards that could hurt you or others. Please read these messages carefully.

Of course, it is not practical or possible to warn you about all the hazards associated with operating or maintaining a generator. You must use your own good judgment.

You will find important safety information in a variety of forms:

- **Safety Labels** — on the generator.
- **Instructions** — how to use this generator correctly and safely.
- **Safety Headings** — such as *IMPORTANT SAFETY INFORMATION*.
- **Safety Messages** — preceded by a safety alert symbol  and one of three signal words, DANGER, WARNING, or CAUTION.

These signal words mean:

 **DANGER**

You WILL be KILLED or SERIOUSLY HURT if you do not follow instructions.

 **WARNING**

You CAN be KILLED or SERIOUSLY HURT if you do not follow instructions.

 **CAUTION**

You CAN be HURT if you do not follow instructions.

This entire book is filled with important safety information - please read it carefully.

DAMAGE PREVENTION MESSAGES

In addition to the above, you will find information preceded by a **NOTICE** symbol. That information is intended to help you avoid damage to your generator, other property, or the environment.

CONTENTS

INTRODUCTION	1
GENERATOR SAFETY	6
IMPORTANT SAFETY INFORMATION	6
Operator Responsibility.....	6
Carbon Monoxide Hazards.....	7
Electric Shock Hazards	8
Fire and Burn Hazards	9
Refuel With Care.....	9
Explosion proof	10
Vehicles and Transportation Hazards.....	10
Disposal	10
Disposing of generator	10
SAFETY LABEL LOCATIONS.....	11
INITIAL USE INSTRUCTIONS	16
ENGINE OIL.....	16
ENGINE OIL RECOMMENDATIONS.....	17
FUEL.....	18
FUEL RECOMMENDATIONS.....	20
CONTROLS & FEATURES	21
COMPONENT & CONTROL LOCATIONS	21
CONTROLS.....	23
Engine Switch.....	23
Starter Grip	23
Eco Throttle Switch	24
Parallel Operation Outlets	25
AC Circuit Protector	25
FEATURES	26
Ground Terminal.....	26
Fuel Level Indicator.....	27
Output Indicator	27
Overload Alarm (Indicator).....	28
Oil Alert/Check Indicator	28
LED Light Patterns	29
Bluetooth® Function	30
Smartphone application	30
Grip and Under Grip.....	32

CONTENTS

BEFORE OPERATION	33
ARE YOU READY TO GET STARTED?	33
Knowledge	33
IS YOUR GENERATOR READY TO GO?	33
Check the Engine	34
AC Appliance and Power Cord.....	34
ENGINE OIL LEVEL CHECK	36
AIR FILTER CHECK	37
SAFE OPERATING PRECAUTIONS	39
OPERATION	40
STARTING THE ENGINE	40
STOPPING THE ENGINE	42
STOPPING THE ENGINE with <i>Bluetooth</i> ® ENABLED SMARTPHONE	43
AC OPERATION	44
AC Applications	46
AC PARALLEL OPERATION	47
AC Parallel Operation Applications	48
ECO THROTTLE SYSTEM.....	50
STANDBY POWER.....	51
Connections to a Building’s Electrical System.....	51
System Ground	51
Special Requirements.....	52
SERVICING YOUR GENERATOR	53
THE IMPORTANCE OF MAINTENANCE.....	53
MAINTENANCE SAFETY	54
Safety Precautions	54
MAINTENANCE SCHEDULE	55
ENGINE OIL CHANGE	56
AIR CLEANER SERVICE	57
Foam Air Filter Cleaning	57
SPARK PLUG SERVICE	58
SPARK ARRESTER SERVICE	60
STORAGE	62
STORAGE PREPARATION	62
Cleaning	62
Fuel	62
Engine Oil	65
Engine Cylinder	65
STORAGE PRECAUTIONS	66
REMOVAL FROM STORAGE.....	66

TRANSPORTING	67
TAKING CARE OF UNEXPECTED PROBLEMS	69
ENGINE SPEED IS UNSTABLE OR WILL NOT START	69
ENGINE LACKS POWER.....	70
NO POWER AT THE AC RECEPTACLES	70
TECHNICAL INFORMATION	71
SERIAL NUMBER LOCATION	71
SPECIFICATIONS	72
REFERENCE INFORMATION	77
SUPPLEMENT	end of the book
• WIRING DIAGRAM	
• MAJOR Honda DISTRIBUTOR ADDRESSES	
• "UK Declaration of Conformity" CONTENT OUTLINE	
• "EC Declaration of Conformity" CONTENT OUTLINE	

GENERATOR SAFETY

IMPORTANT SAFETY INFORMATION

Honda generators are designed for use with electrical equipment that has suitable power requirements. Other uses can result in injury to the operator or damage to the generator and other property.

Most injuries or property damage can be prevented if you follow all instructions in this manual and on the generator. The most common hazards are discussed below, along with the best way to protect yourself and others.

Operator Responsibility

- Never attempt to modify the generator. It can cause an accident as well as damage to the generator and appliances. Tampering with the engine voids the EU type-approval of this engine.
 - Do not connect an extension to the muffler.
 - Do not modify the intake system.
 - Do not adjust the governor.
 - Do not remove the control panel or do not change the wiring of the control panel.
- Know how to stop the generator quickly in case of emergency.
- Understand the use of all generator controls, output receptacles, and connections.
- Be sure that anyone who operates the generator receives proper instruction.
- Protect children by keeping them at a safe distance from the generator.
- Be sure to observe the instructions in this manual for how to use the generator and maintenance information. Ignoring or improperly following the instructions can cause an accident such as an electric shock, and the condition of the exhaust gas may deteriorate.
- Do not operate the generator with any cover removed. You may get your hand or foot caught in the generator and it may cause accident.
- Consult your authorized Honda dealer for disassembly and service of the generator that are not covered in this manual.
- Obey all applicable laws and regulations where the generator is used.

- Gasoline and Oil is toxic. Follow the instructions provided by each manufacturer before use.
- Place the generator on a firm level place before operation.

Carbon Monoxide Hazards

A generator's exhaust contains toxic carbon monoxide, which you cannot see or smell. Breathing carbon monoxide can KILL YOU IN MINUTES. To avoid carbon monoxide poisoning, follow these instructions when operating a generator:

- Only run a generator OUTSIDE, far away from windows, doors, and vents with engine exhaust directed away from occupied structures.
- Never operate a generator inside a house, garage, basement, crawl space, any type of vehicle, trailer, or boat, or any enclosed or partly enclosed space.
- Never operate a generator near open doors, windows, vents, or hatches.
- Get fresh air and seek medical attention immediately if you suspect you have inhaled carbon monoxide.

Early symptoms of carbon monoxide exposure include headache, fatigue, shortness of breath, nausea, and dizziness. Continued exposure to carbon monoxide can cause loss of muscular coordination, loss of consciousness, and then death.

GENERATOR SAFETY

Electric Shock Hazards

The generator produces enough electric power to cause a serious shock or electrocution if misused.

- Do not use in wet conditions. Keep the generator dry.
 - Do not use in the rain or snow.
 - Do not use near pool or a sprinkler system.
 - Do not use when your hands are wet.
- If the generator is stored outdoors, unprotected from the weather, check all of the electrical components on the control panel before each use. Moisture or ice can cause a malfunction or short circuit in electrical components that could result in electrocution.
- Do not connect to a building's electrical system unless an isolation switch has been installed by a qualified electrician.
- For parallel operation, use only a Honda approved parallel cable (optional equipment) when connecting one EU32i to another EU32i generator.
- Never connect different generator models.
- If you get an electric shock, consult a doctor and have medical treatment immediately.

Fire and Burn Hazards

- The exhaust system gets hot enough to ignite some materials.
 - Keep the generator at least 1 meter (3 feet) away from buildings and any type of vehicle, trailer, boat, or other equipment during operation.
 - Do not enclose the generator in any structure.
 - Keep flammable materials away from the generator.
 - Do not block intake or exhaust vents, hoses, ports, or restrict air into or away from generator.
 - Do not add, remove, or modify covers, panels, cowlings, or straps.
- Some parts of the internal combustion engine are hot and may cause burns. Pay attention to the warnings on the generator.
- The muffler becomes very hot during operation and remains hot for a while after stopping the engine. Be careful not to touch the muffler while it is hot. Let the engine cool before storing the generator.
- Do not pour the water directly on the generator to put out the fire when it occurs. Use an appropriate fire extinguisher specially designed for electric fire or oil fire.
- If you inhale fumes produced by an accidental fire with the generator, consult a doctor and have medical treatment immediately.

Refuel With Care

Gasoline is highly flammable, and gasoline vapor can explode.

- Do not refuel during operation.
- Allow the engine to cool if it has been in operation.
- Refuel only outdoors in a well-ventilated area and on a level surface.
- Never smoke near gasoline, and keep other flames and sparks away.
- Do not overfill the fuel tank.
- Make sure that any spilled fuel has been wiped up and cleaned before starting the engine.
- Always store gasoline in an approved container.

GENERATOR SAFETY

Explosion proof

This generator is not compliant with explosion proof.

Vehicles and Transportation Hazards

- Drain the fuel from the fuel tank when transporting.
- Do not operate the generator while it is being transported or while it is mounted to any type vehicle, trailer, or boat.
- Do not operate the generator when it is in a storage, cargo, or security enclosure, including any RV generator bay.
- Always completely remove the generator from the vehicle, RV, truck, trailer, boat, other equipment or structure during operation.
- The generator must remain stationary while in operation.

Disposal

To protect the environment, do not dispose of the used generator, battery, engine oil, etc. carelessly by leaving them in the waste.

Observe the local laws or regulations or consult your authorized Honda generator dealer to dispose of these parts.

Please dispose of used motor oil in a manner that is compatible with the environment. We suggest you take it in a sealed container to your local service station for reclamation. Do not throw it in the trash or pour it on the ground.

An improperly disposed battery can hurt the environment. Always confirm local regulations for battery disposal. Contact your servicing dealer for a replacement.

Disposing of generator



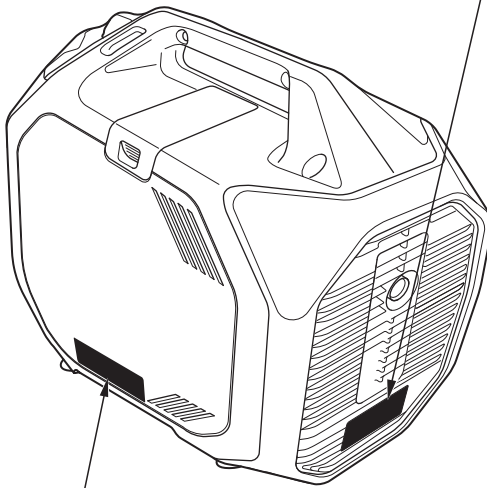
Do not dispose of electric equipment together with household waste material. If electrical appliances are disposed of in landfills or dumps, substances can leak and react and enter into the foodchain, damaging your health and well-being. For further information on the disposal of this product, please contact your dealer or your nearest domestic waste collection service.

SAFETY LABEL LOCATIONS

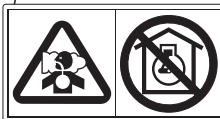
These labels warn you of potential hazards that can cause serious injury. Read them carefully.

If a label comes off or becomes hard to read, contact your servicing dealer for a replacement.

HOT CAUTION



**READ OWNER'S
MANUAL**



EXHAUST CAUTION



FUEL CAUTION

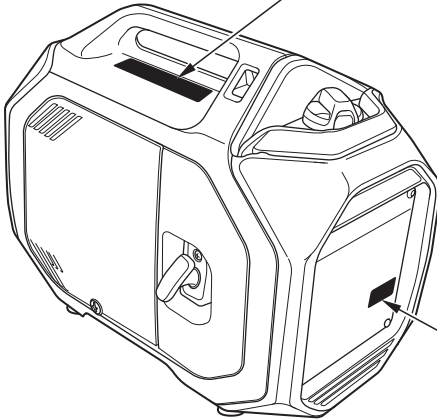
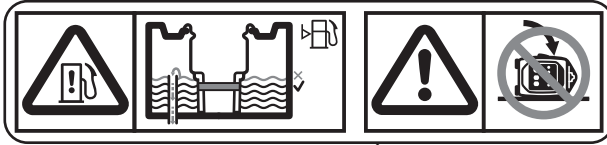


**CONNECT
CAUTION**

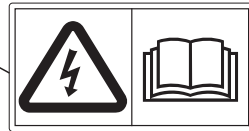
GENERATOR SAFETY

DO NOT OVER FILL

DO NOT TIP



SOCKET CAUTION





- A hot exhaust system can cause serious burns. Avoid contact if the engine has been running.



- Honda generator is designed to give safe and dependable service if operated according to instructions. Read and understand the Owner's Manual before operating the generator. Failure to do so could result in personal injury or equipment damage.



- Exhaust contains poisonous carbon monoxide, a colorless, odorless gas. Breathing carbon monoxide can cause loss of consciousness and may lead to death.
- If you run the generator in an area that is confined, or even partially enclosed area, the air you breathe could contain a dangerous amount of exhaust gas.
- Never run your generator inside a garage, house or near open windows or doors.

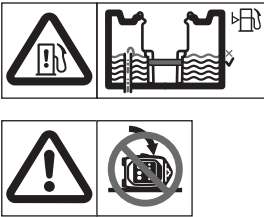


- Gasoline is highly flammable and explosive. Turn the engine off and let it cool before refueling.

GENERATOR SAFETY



- **Improper connections to a building's electrical system can allow current from the generator to backfeed into the utility lines. Such backfeed may electrocute utility company workers or others who contact the lines during a power outage, and the generator may explode, burn, or cause fires when utility power is restored. Consult the utility company or a qualified electrician prior to making any power connections.**

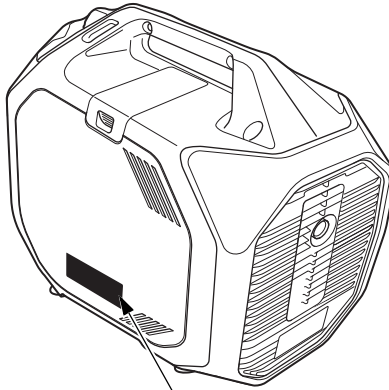


- **Do not fill tank past red limit mark. Overfilling or tipping over the generator can result in fuel flowing through the vent tube and causing a leak and fire. You can be burned or seriously injured.**



- **Connect and remove the receptacle box for parallel operation with the engine stopped.**
- **For single operation, the receptacle box for parallel operation must be removed.**

- CE mark, UKCA mark and noise label locations



CE MARK, UKCA MARK and NOISE LABEL

NOISE LABEL

Performance class

Name and address of the manufacturer

Quality class

Year of manufacture

IP code

Dry mass (weight)

Name and address of authorized representative

EU32i		UKCA	
Low-power generating set EN ISO 8528-13			
Maximum power	MAX 3.2 kW	50 Hz	G1
Rated power	COP 2.6 kW	230 V	A
Rated power factor	1.0	11.3 A	IP23M
Year of Mfg.		Mass	kg

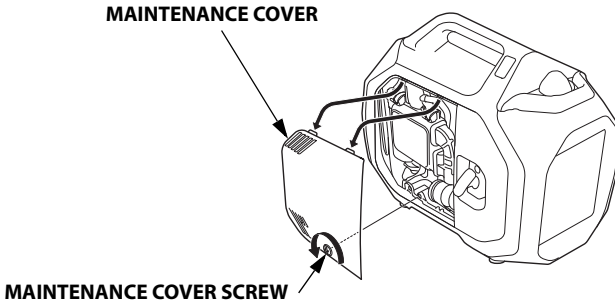
Name and address of manufacturer, authorized representative are written in the "Declaration of Conformity" CONTENT OUTLINE in this Owner's Manual.

INITIAL USE INSTRUCTIONS

ENGINE OIL

The generator is shipped **WITHOUT OIL** in the engine.

1. Place the generator on a level surface.
2. Loosen the maintenance cover screw and remove the maintenance cover.

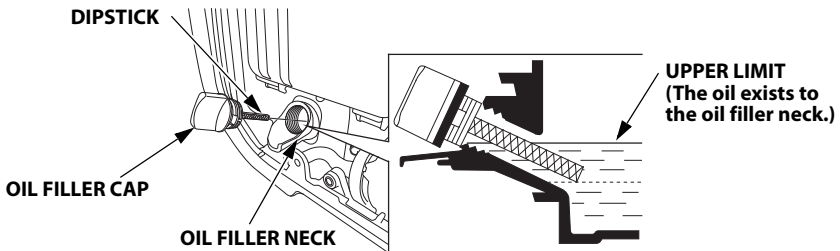


3. With the generator in a level position, remove the oil filler cap by turning it counterclockwise.
4. Add enough oil to bring the oil level to the upper limit of the oil filler neck. SAE10W-30 API service category SE or later (or equivalent) is recommended for general use; for additional recommendations (see page 17).

Maximum oil capacity: 0.46 L (0.48 US qt, 0.40 Imp qt)

Do not overfill the engine with oil. If the engine is overfilled, the excess oil may be transferred to the air cleaner housing and air filter.

5. Screw in the oil filler cap securely.



6. Reinstall the maintenance cover and tighten the maintenance cover screw securely.

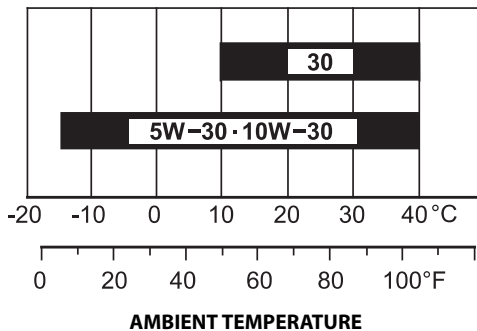
INITIAL USE INSTRUCTIONS

ENGINE OIL RECOMMENDATIONS

Oil is a major factor affecting performance and service life. Use 4-stroke automotive detergent oil.

SAE 10W-30 is recommended for general use. Other viscosities shown in the chart may be used when the average temperature in your area is within the recommended range.

Lubrication oil specifications necessary to maintain the performance of the emissions control system: Honda genuine oil.



Read the instructions on the oil container before use.

The SAE oil viscosity and API service category are in the API label on the oil container. Honda recommends that you use API service category SE or later (or equivalent) oil.

INITIAL USE INSTRUCTIONS

FUEL

Add fuel to the generator in a well-ventilated area. Fuel only outdoors. Keep gasoline away from appliance, such as pilot lights, barbecues, electric appliances, power tools, etc. Spilled fuel is not only a fire hazard, it causes environmental damage. Fuel carefully to avoid spilling fuel. Wipe up spills immediately. Do not fill the fuel tank above the upper level mark (red) on the fuel strainer. After fueling, reinstall the fuel tank cap securely.

When appropriate, with the engine stopped, check the fuel level indicator for the fuel level. If the fuel level is low, wait for the generator to cool off and refill the fuel tank.

This engine is certified to operate on unleaded gasoline with a research octane rating of 89 or higher. Refer to "FUEL RECOMMENDATIONS" (see page 20) for additional fuel recommendations.

WARNING

Gasoline is highly flammable and explosive.

You can be burned or seriously injured when handling fuel.

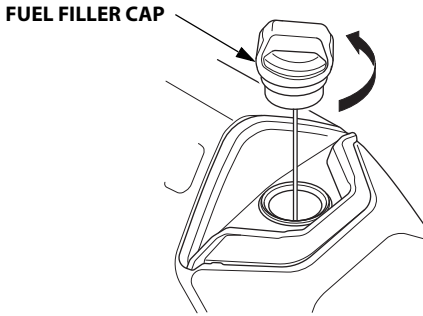
- Stop the engine and let it cool before handling fuel.
- Keep heat, sparks, and flame away.
- Handle fuel only outdoors.
- Keep away from your vehicle.
- Wipe up spills immediately.

NOTICE

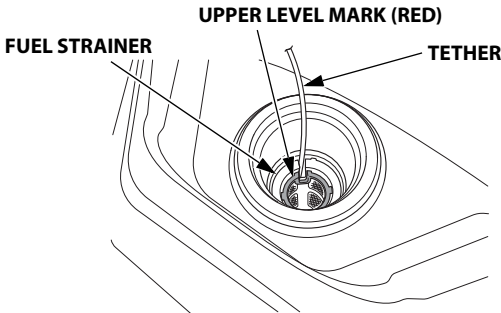
Fuel can damage paint and plastic. Be careful not to spill fuel when filling your fuel tank. Damage caused by spilled fuel is not covered under the Warranty.

INITIAL USE INSTRUCTIONS

1. Remove the fuel filler cap.



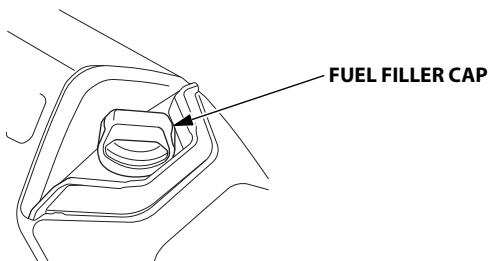
2. Fuel carefully to avoid spilling fuel. Do not fill the fuel tank above the upper level mark (red) on the fuel strainer.



NOTICE

Fuel can damage paint and plastic. Be careful not to spill fuel when filling your fuel tank. Damage caused by spilled fuel is not covered under the Warranty.

3. After refueling, tighten the fuel filler cap until it clicks.



Move the generator at least 3 meters (10 feet) away from the fueling source and site before starting the engine.

INITIAL USE INSTRUCTIONS

FUEL RECOMMENDATIONS

This engine is certified to operate on unleaded gasoline with a research octane rating of 89 or higher.

Fuel specification(s) necessary to maintain the performance of the emissions control system: E10 fuel referenced in EU regulation.

Use unleaded gasoline only, or the catalyzer will lose its effectiveness and negatively affect exhaust emissions.

Never use gasoline that is stale, contaminated, or mixed with oil. Avoid getting dirt or water in the fuel tank.

You may use regular unleaded gasoline containing no more than 10% ethanol (E10) or 5% methanol by volume. In addition, methanol must contain cosolvents and corrosion inhibitors.

Use of fuels with content of ethanol or methanol greater than shown above may cause starting and/or performance problems. It may also damage metal, rubber, and plastic parts of the fuel system.

Engine damage or performance problems that result from using a fuel with percentages of ethanol or methanol greater than shown above and leaded gasoline are not covered under the Warranty.

If your equipment will be used on an infrequent basis, refer to the fuel section of "STORAGE" chapter (see page 62) for additional information regarding fuel deterioration.

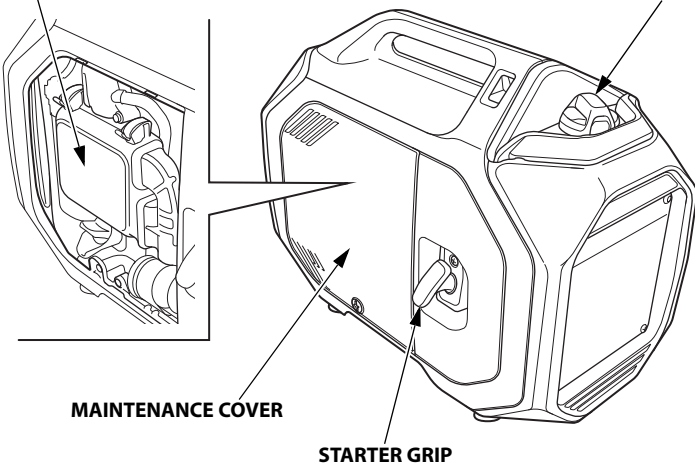
CONTROLS & FEATURES

COMPONENT & CONTROL LOCATIONS

Use the illustrations on these pages to locate and identify the most frequently used controls.

AIR CLEANER

FUEL FILLER CAP



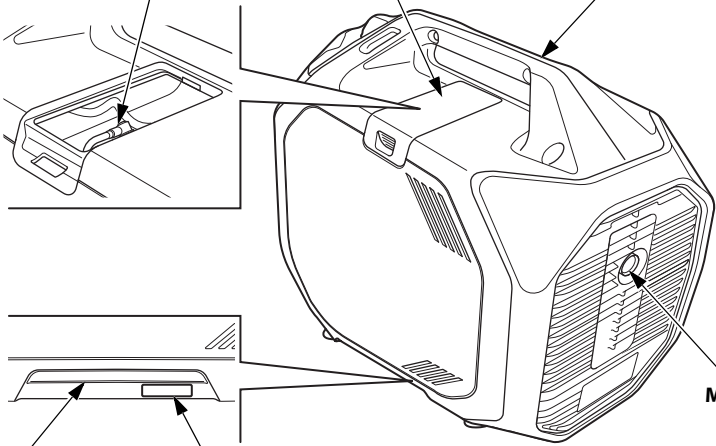
MAINTENANCE COVER

STARTER GRIP

SPARK PLUG MAINTENANCE COVER

SPARK PLUG

GRIP

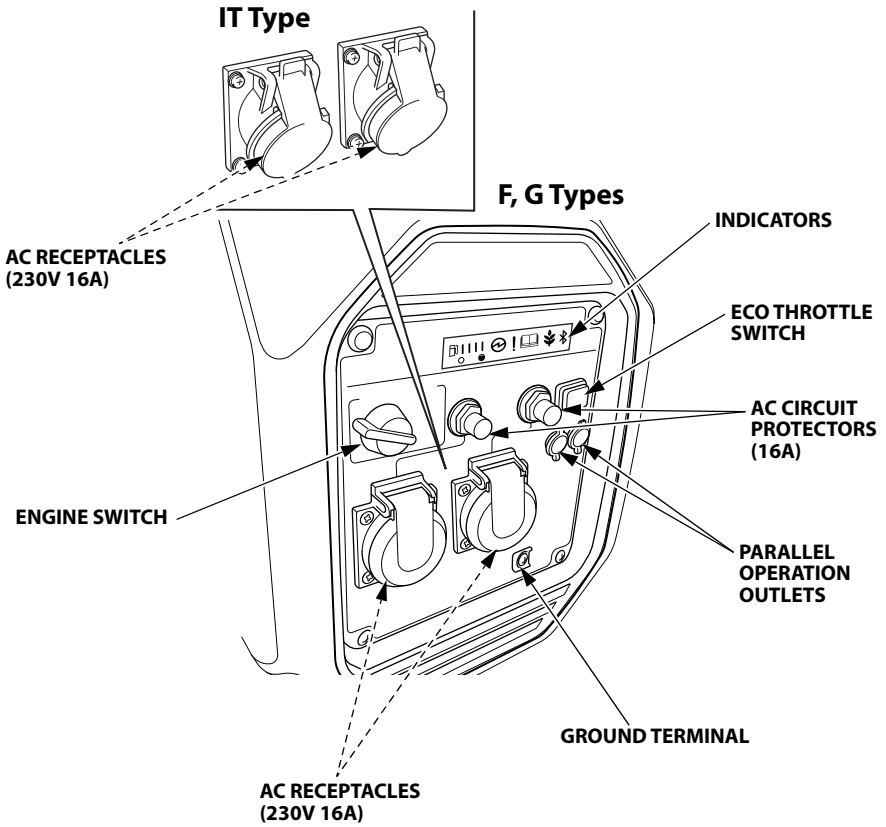


MUFFLER

UNDER GRIP

FRAME SERIAL NUMBER

CONTROLS & FEATURES



CONTROLS

Engine Switch

The engine switch controls the ignition system.

OFF – Stops the engine.

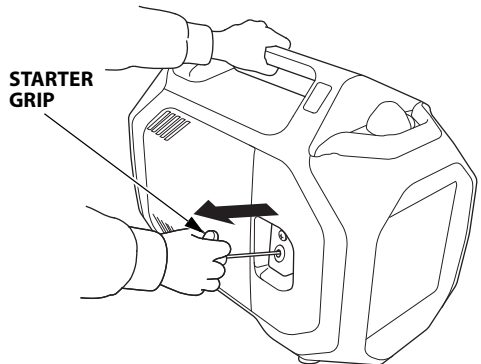
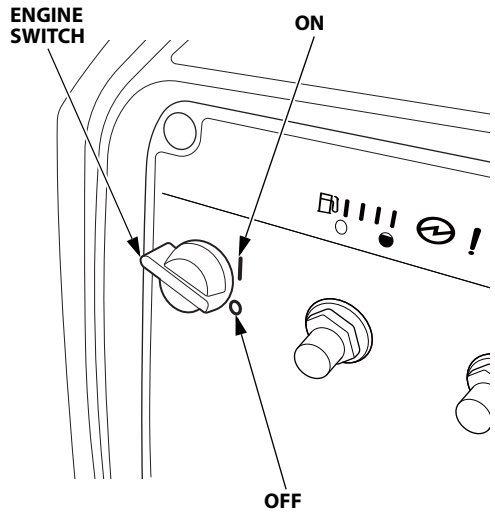
ON – Running position, and for starting with the recoil starter.

Starter Grip

Pulling the starter grip operates the recoil starter to start the engine.

NOTICE

Do not allow the starter grip to snap back against the generator. Return it gently to prevent damage to the starter.



CONTROLS & FEATURES

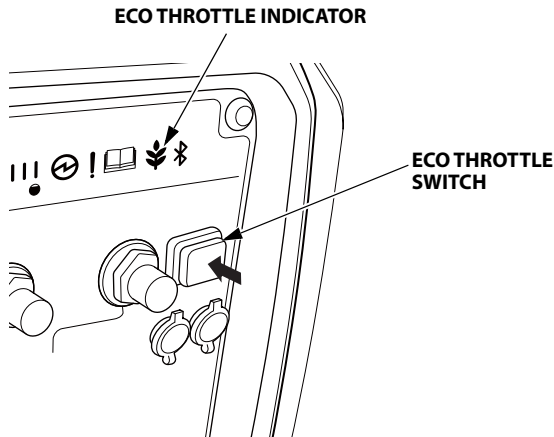
Eco Throttle Switch

The Eco Throttle system automatically reduces engine speed when loads are turned off or disconnected. When appliances are turned on or reconnected, the engine returns to the proper speed to power the electrical load.

Each time you push the Eco Throttle Switch, the system turns on and off.

If high electrical loads are connected simultaneously, push the Eco Throttle system to the OFF to reduce voltage changes.

Eco Throttle system ON	Indicator lights on (green) <ul style="list-style-type: none">• Recommended to minimize fuel consumption and further reduce noise levels when less than a full load is applied to the generator.
Eco Throttle system OFF	Indicator lights off <ul style="list-style-type: none">• The Eco Throttle system does not operate.



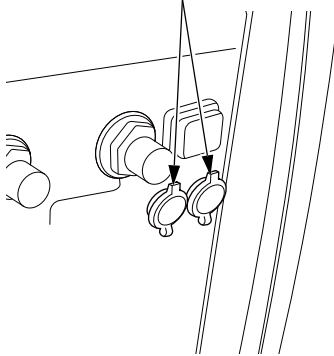
OVERLOAD RESET:

If the power generation stops due to overload and the overload alarm indicator is blinking, overload reset is available. After removing the cause of the overload, power generation can be resumed by pressing and holding the Eco Throttle switch (for more than 3 seconds).

Parallel Operation Outlets

These outlets are used for connecting two EU32i generators for parallel operation (see page 47 through 49). A Honda approved parallel cable (optional equipment) is required for parallel operation. This cable can be purchased from your servicing dealer.

PARALLEL OPERATION OUTLETS



AC Circuit Protector

The AC circuit protectors will automatically switch OFF if there is a short circuit or a significant overload of the generator at each receptacle. If an AC circuit protector switches OFF automatically, check that the appliance is working properly and does not exceed the rated load capacity of the circuit before resetting the AC circuit protector ON.

F, G Types

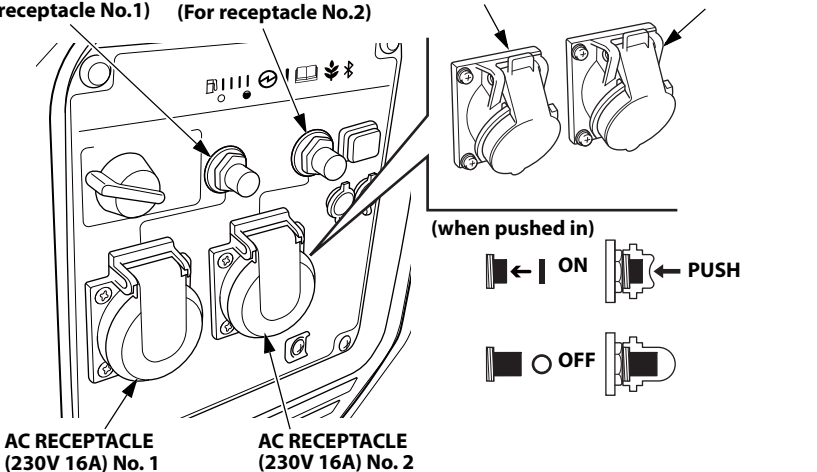
AC CIRCUIT PROTECTOR (16A)
(For receptacle No.1)

AC CIRCUIT PROTECTOR (16A)
(For receptacle No.2)

IT Type

AC RECEPTACLE (230V 16A) No. 1

AC RECEPTACLE (230V 16A) No. 2



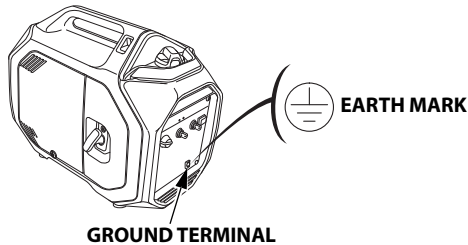
CONTROLS & FEATURES

FEATURES

Ground Terminal

The generator ground terminal is connected to the frame of the generator, the metal non-current-carrying parts of the generator, and the ground terminals of each receptacle.

Before using the ground terminal, consult a qualified electrician, electrical inspector, or local agency having jurisdiction for local codes or ordinances that apply to the intended use of the generator.



The generator produces enough electric power to cause a serious shock or electrocution if misused.

Be sure to ground the generator when the connected appliance is grounded.

To ground the terminal of the generator, use a copper wire with same or larger diameter than the cord of the connected appliance.

Use extension cord set with ground conductor when connecting an appliance with ground conductor.

To identify the Ground pin in the plug, see Receptacle page 76.

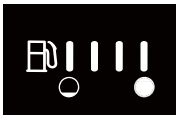
Fuel Level Indicator

The fuel level indicator is a mechanical device that measures the fuel level in the tank. To provide increased operating time, start with a full tank before operation. Check the fuel level with the generator on a level surface. Always refuel with the engine OFF and cool.

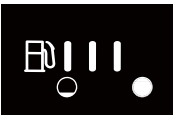


FUEL LEVEL INDICATOR

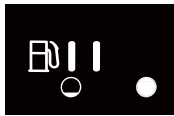
The indicator according to the generator's fuel level as follows:



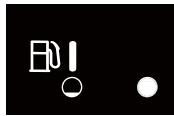
80 % or more



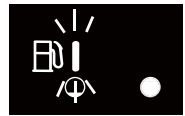
60-80 %



40-60 %



20-40 %



20 % or less

Output Indicator

The output indicator (green) is illuminated when the generator is operating normally. It indicates that the generator is producing electrical power at the receptacles.

In addition, the output indicator has a simplified hour meter function.

When you start the engine, the indicator blinks according to the generator's cumulative operating hours as follows:

- No blinks: 0–100 hours
- 1 blink: 100–200 hours
- 2 blinks: 200–300 hours
- 3 blinks: 300–400 hours
- 4 blinks: 400–500 hours
- 5 blinks: 500 or more hours



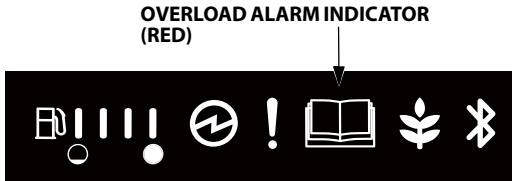
OUTPUT INDICATOR (GREEN)

CONTROLS & FEATURES

Overload Alarm (Indicator)

If the generator is overloaded (in excess of 3.2 kVA), or if there is a short circuit in a connected appliance, the overload alarm indicator (red) will come ON. The overload alarm indicator (red) will stay ON, and after about 10 seconds, when an overload or about 5 seconds in case of a short circuit, current to the connected appliance(s) will shut off, and the output indicator (green) will go OFF. However, the engine will continue to run.

If the overload alarm indicator (red) blink continuously, press and hold the ECO Throttle switch to reset it (see page 24).



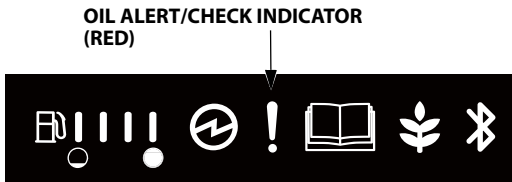
Oil Alert/Check Indicator

The Oil Alert system is designed to prevent engine damage caused by an insufficient amount of oil in the crankcase. Before the oil level in the crankcase can fall below a safe limit or in the case of engine overheat, the Oil Alert/Check indicator (red) comes ON and the Oil Alert system automatically will stop the engine (the engine switch will remain in the ON position).

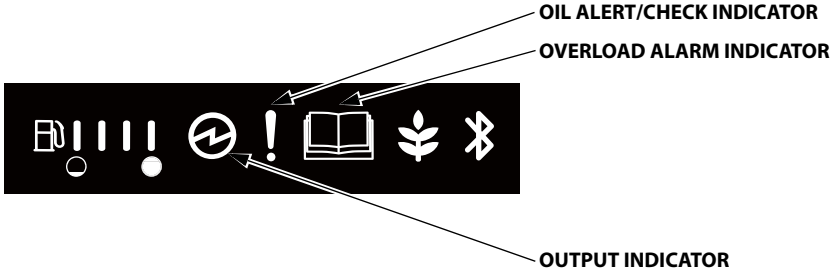
If the engine stops or the Oil Alert/Check indicator (red) comes ON when you pull the starter grip, check the engine oil level (see page 36) before troubleshooting in other areas. Also, make sure to install the generator on a level surface.

The engine may stop due to the activating the oil alert system even if the engine oil level is the normal when the generator is tilted.

If the Oil Alert/Check indicator (red) blink continuously, it suggests an abnormal, contact your servicing dealer.



LED Light Patterns



Status	Possible cause	Output Indicator	Oil Alert/Check Indicator	Overload Alarm Indicator
Normal	Operating normally	○	●	●
Malfunction	Inverter unit failure etc.	○/●/☼	☼	●
Abnormal	Output overcurrent	●	●	○/☼
	Inverter unit overheat	●	●	○
Warning	<ul style="list-style-type: none"> • Engine oil low • Tilt detection • Engine overheat 	●	○	●

○: ON

●: OFF

☼: Blinking

Refer to "TAKING CARE OF UNEXPECTED PROBLEMS" on page 69 for failure diagnosis.

CONTROLS & FEATURES

Bluetooth® Function

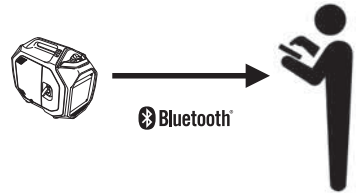
The generator is connected to a smartphone via a *Bluetooth®* connection.

- The range between your *Bluetooth®* enabled smartphone and the generator can be maximized when there is a clear, obstruction free, line-of-sight between devices. The connection distance is also affected by the type of smartphone used and the surrounding environment, structures, and electronic interference.

Smartphone application

The Honda “My Generator” smartphone application is for use only with Honda generators equipped with *Bluetooth®* technology. The application is able to do the following convenient functions:

- Remote stop:
Can stop the generator engine from a distance
- Remote change the Eco Throttle system from a distance
- Remote monitoring:
Displays power output level and remaining fuel level etc.
- Receive notifications:
Can receive error and maintenance alerts



Downloading the app

Go to the App Store (iOS) or Google Play

(Android) and search for “Honda My Generator” to download the app.

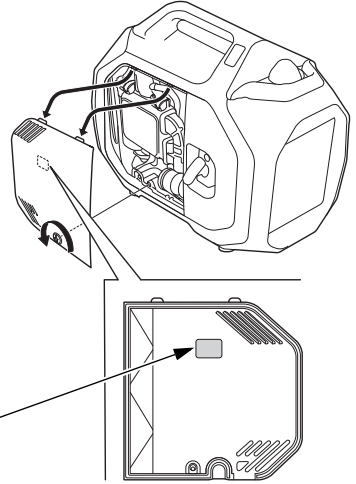
Pairing (For first time connection only)

Refer to the Support on the Honda “My Generator” smartphone application to pair the smartphone with the generator.

- Perform the pairing operation within 30 seconds after starting the engine.



BLUETOOTH INDICATOR



BLUETOOTH PASSWORD

The indicator according to the *Bluetooth*® connection as follows:

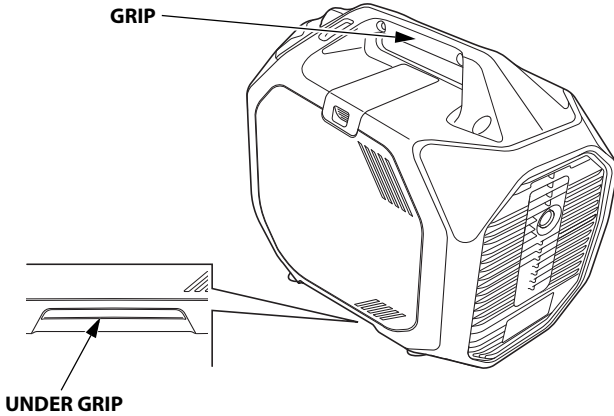
- OFF: Not connected
- Fast Blinking: Malfunction
- Slow Blinking: Pairing available
- ON: Connected

CONTROLS & FEATURES

Grip and Under Grip

Use the grip by your hand when lifting the generator.

In addition to using the grip, you can lift the generator using the under grip by the other hand if necessary.



BEFORE OPERATION

ARE YOU READY TO GET STARTED?

Your safety is your responsibility. A little time spent in preparation will significantly reduce your risk of injury.

Knowledge

Read and understand this manual. Know what the controls do and how to operate them.

Familiarize yourself with the generator and its operation before you begin using it. Know how to quickly shut off the generator in case of an emergency.

If the generator is being used to power appliances, be sure that they do not exceed the generator's load rating (see pages 46 and 49).

IS YOUR GENERATOR READY TO GO?

For your safety, to ensure compliance with environmental regulations, and to maximize the service life of your equipment, it is very important to take a few moments before you operate the generator to check its condition. Be sure to take care of any problem you find, or have your servicing dealer correct it, before you operate the generator.

WARNING

Failure to properly maintain this generator, or failing to correct a problem before operation, could result in a significant malfunction.

Some malfunctions can cause serious injuries or death.

Always perform a pre-operation inspection before each operation and correct any problems.

BEFORE OPERATION

To prevent a possible fire, keep the generator at least 1 meter (3 feet) away from building walls, vehicles, and other equipment during operation. Do not place flammable objects close to the engine or exhaust.

Before beginning your pre-operation checks, be sure the generator is on a level and firm surface and the engine switch is in the OFF position.

Check the Engine

- Before each use, look around and underneath the engine for signs of oil or gasoline leaks.
- Check the engine oil level (see page 36). A low engine oil level will cause the Oil Alert system to shut down the engine.
- Check the air filters (see page 37). Dirty air filters will restrict air flow to the fuel system, reducing engine and generator performance.
- Check the fuel level (see page 18). Starting with a full tank will help to eliminate or reduce operating interruptions for refueling.

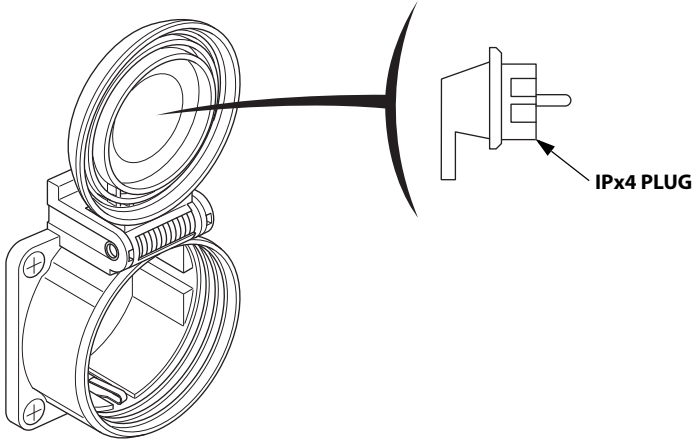
AC Appliance and Power Cord

Before connecting an AC appliance or power cord to the generator:

- Use grounded 3-prong extension cords, tools, and appliances, or double-insulated tools and appliances.
- Inspect cords and plugs, and replace if damaged.
- Make sure that the appliance is in good working order. Faulty appliances or power cords can create a potential for electric shock.
- Make sure the electrical rating of the tool or appliance does not exceed the rated power of the generator or the receptacle being used.
- Do not exceed the current limit specified for any one receptacle.
- When an extension cable is required, be sure to use a tough rubber sheathed flexible cable (IEC 245 or equivalent).
When using an extension cable the resistance value shall not exceed 1.5 Ω .

BEFORE OPERATION

- Limit length of extension cables; 60 m (200 feet) for cables of 1.5 mm² (0.0023 in²) and 100 m (330 feet) for cables of 2.5 mm² (0.0039 in²). Long extension cables will lower usable power due to resistance in the extension cable.
- Keep the generator away from other electric cables or wires such as commercial power supply lines.
- G Type
WARNING: When connecting an angled plug, be sure to use only a IPx4 plug.

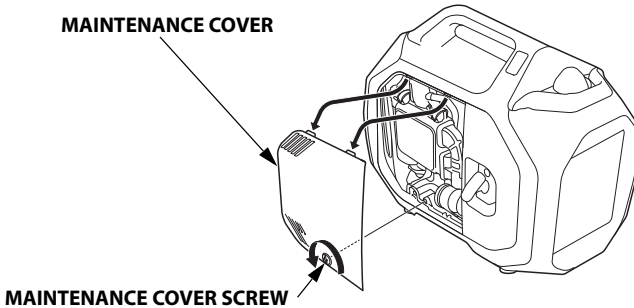


BEFORE OPERATION

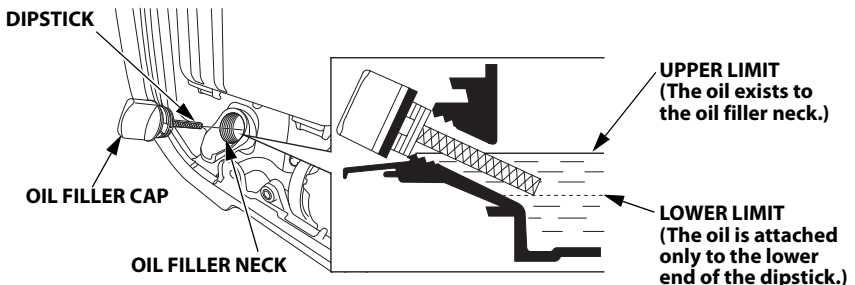
ENGINE OIL LEVEL CHECK

Check the engine oil level with the generator on a level surface and the engine stopped.

1. Loosen the maintenance cover screw and remove the maintenance cover.



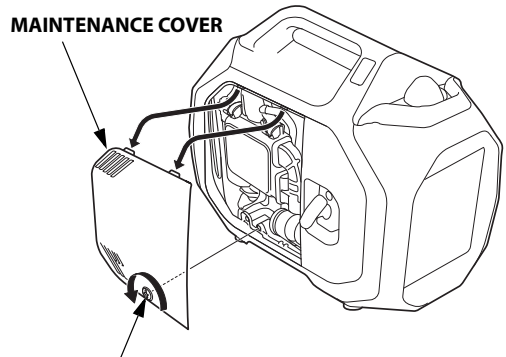
2. Remove the oil filler cap by turning it counterclockwise. Wipe the dipstick clean.
3. Insert the dipstick into the oil filler neck as shown, but do not screw it in, then remove it to check the oil level.
4. If the oil level is near or below the lower limit, fill with the recommended oil to the upper limit. Do not overfill.
 - "Upper limit" means the oil exists to the oil filler neck.
 - "Lower limit" means the oil is attached only to the lower end of the dipstick.Refer to "ENGINE OIL RECOMMENDATIONS" in page 17.
5. Reinstall the oil filler cap securely.
6. Reinstall the maintenance cover and tighten the maintenance cover screw securely.



The Oil Alert system will automatically stop the engine before the oil level falls below safe limits. However, to avoid the inconvenience of an unexpected shutdown, check the oil level regularly.

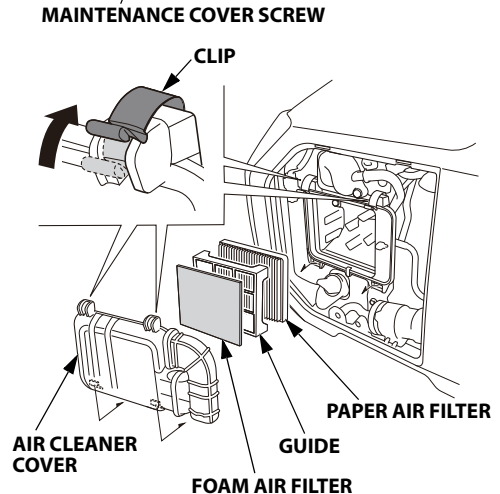
AIR FILTER CHECK

1. Loosen the maintenance cover screw and remove the maintenance cover.



2. Unsnap the air cleaner cover clips; remove the air cleaner cover.

3. Remove the foam air filter from the air cleaner cover.



4. Check the foam air filter to be sure they are clean and in good condition. If the foam air filter are dirty, clean them as described on page 57. Replace the foam air filter if they are damaged.

5. Reinstall the foam air filter in the air cleaner cover.

6. Remove the paper filter from the guide.

7. If the paper air filter is dirty, replace it with a new one. Do not clean the paper air filter.

BEFORE OPERATION

8. Reinstall the paper air filter, the guide and the air cleaner cover.
9. Reinstall the maintenance cover, and tighten the maintenance cover screw securely.

NOTICE

Operating the engine without the air filters or with a damaged air filter will allow dirt to enter the engine, causing rapid engine wear. This type of damage is not covered by the Warranty.

SAFE OPERATING PRECAUTIONS

Before operating the generator, review chapters "GENERATOR SAFETY" (see page 6).

For your safety, do not operate the generator in an enclosed, or partly enclosed area such as a garage (even if the door is open) or near structures or vehicles. Your generator's exhaust contains poisonous carbon monoxide gas that can collect rapidly in such areas, structures, vehicles, trailers, or boats.

- Do not operate the generator when it is in a storage, cargo, or security enclosure, including any RV generator bay.
- Always completely remove the generator from the vehicle, trailer, boat or other equipment or structure during operation.
- The generator must remain stationary while in operation.

WARNING

Exhaust contains poisonous carbon monoxide gas that can build up to dangerous levels in enclosed or partly enclosed areas.

Breathing carbon monoxide can cause unconsciousness or death.

Never run this product's engine in an enclosed, or even partly enclosed area.

OPERATION

STARTING THE ENGINE

To prevent a possible fire, keep the generator at least 1 meter (3 feet) away from building or trailer walls, vehicles, trailers, boats, and other equipment during operation. Do not place flammable objects close to the engine or exhaust.

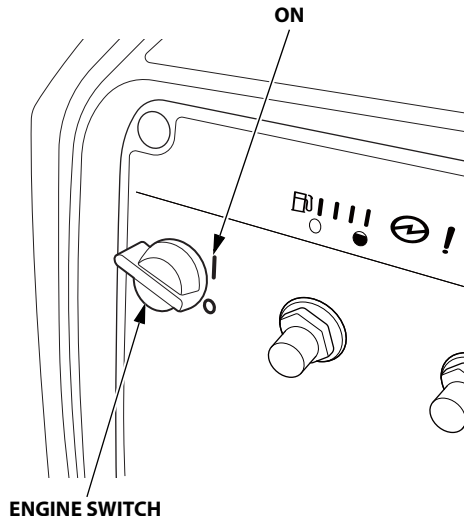
NOTICE

- *Operating this generator less than 1 meter (3 feet) from a building, obstruction, or when it is in an enclosure, a storage or security compartment/bay, can cause overheating and damage the generator.*
- *For proper cooling, allow at least 1 meter (3 feet) of empty space above and around the generator.*
Keep all cooling holes open and clear of debris, mud, water, etc. Cooling holes are located on the side panel, the control panel, and the bottom of the generator. If the cooling holes are blocked, the generator may overheat and damage the engine, inverter, or windings.

Refer to "SAFE OPERATING PRECAUTIONS" on page 39 and perform the "IS YOUR GENERATOR READY TO GO?" checks (see page 33).

Refer to "AC OPERATION" (see page 44) for connecting loads to the generator.

1. Make sure that all appliances are disconnected from the AC receptacle.
2. Turn the engine switch to the ON position.

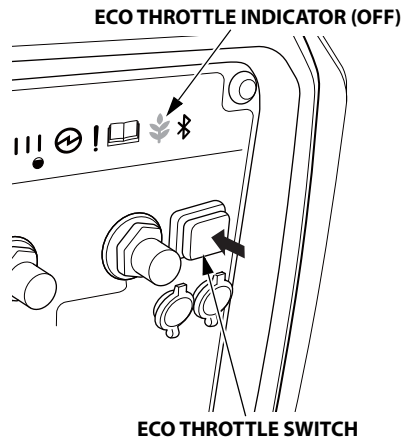
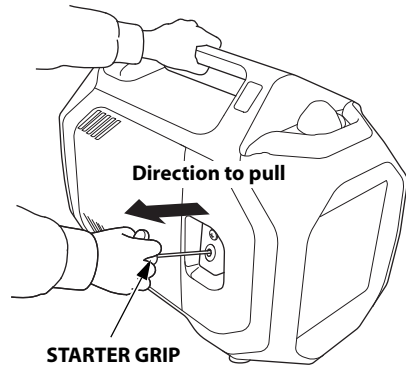


3. Pull the starter grip lightly until you feel resistance; then pull briskly in the direction of the arrow as shown.

NOTICE

Do not allow the starter grip to snap back against the generator. Return it gently to prevent damage to the starter.

4. If you don't wish to use the Eco Throttle system, push the Eco Throttle switch to Eco Throttle system OFF.

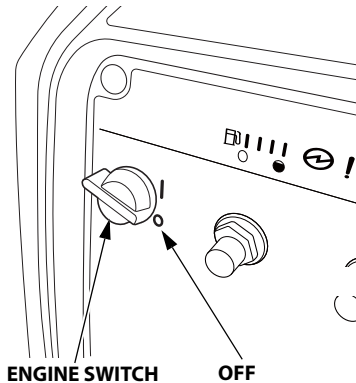


OPERATION

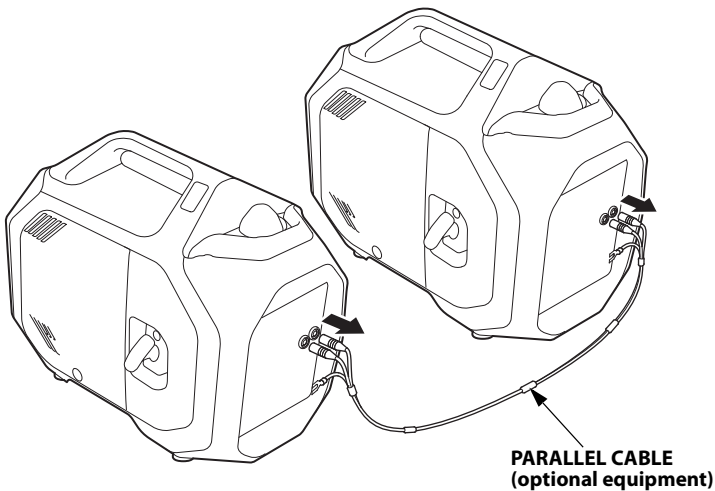
STOPPING THE ENGINE

To stop the engine in an emergency, simply turn the engine switch to the OFF position securely. Under normal conditions, use the following procedure.

1. Turn off or disconnect all appliances that are connected to the generator.
2. Turn the engine switch to the OFF position securely.



3. If two generators were connected for parallel operation, disconnect the parallel cable after stopping the engines if you do not wish to resume parallel operation.



If the generator will not be used for a long period of time, refer to page 64 for information on "DRAINING THE FUEL TANK".

STOPPING THE ENGINE with *Bluetooth*[®] ENABLED SMARTPHONE

The engine can be stopped via a *Bluetooth*[®] enabled smartphone using a *Bluetooth*[®] application.

Refer to the *Bluetooth*[®] application to check the connection, operation, and for help pairing a smartphone.

OPERATION

AC OPERATION

If an appliance begins to operate abnormally, becomes sluggish, or stops suddenly, turn it off immediately. Disconnect the appliance, and determine whether the problem is in the appliance or the rated load capacity of the generator has been exceeded.

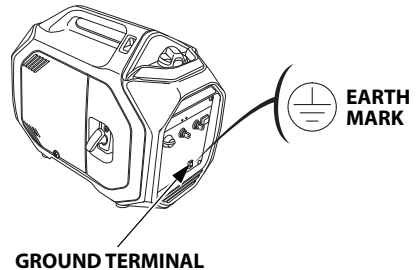
NOTICE

- *Substantial overloading that continuously lights the overload alarm indicator (red) may damage the generator. Marginal overloading that temporarily lights the overload alarm indicator (red) may shorten the service life of the generator.*
- *Be sure that all appliances are in good working order before connecting them to the generator. Electrical equipment (including lines and plug connections) should not be defective. If an appliance begins to operate abnormally, becomes sluggish, or stops suddenly, turn off the generator engine switch immediately. Then disconnect the appliance, and examine it for signs of malfunction.*

The generator produces enough electric power to cause a serious shock or electrocution if misused.

Be sure to ground the generator when the connected appliance is grounded.

To ground the terminal of the generator, use a copper wire with same or larger diameter than the cord of the connected appliance.

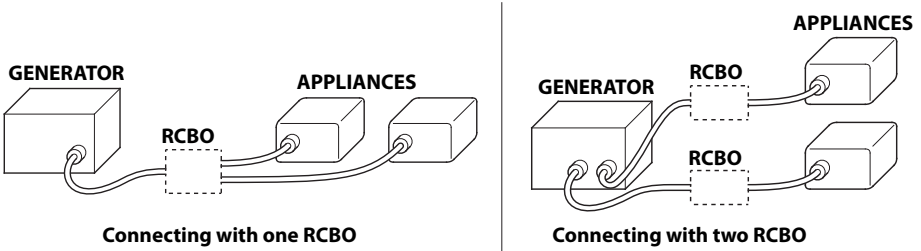


Use extension cord set with ground conductor when connecting an appliance with ground conductor.

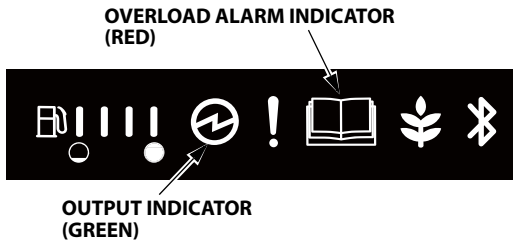
To identify the Ground pin in the plug, see Receptacle page 76.

Connect a RCBO (Residual current circuit breaker with overload protection) of 30 mA ground fault detection and cut-off of less than 0.4 seconds at more than 30 A of output current, if you are using two or more appliance.

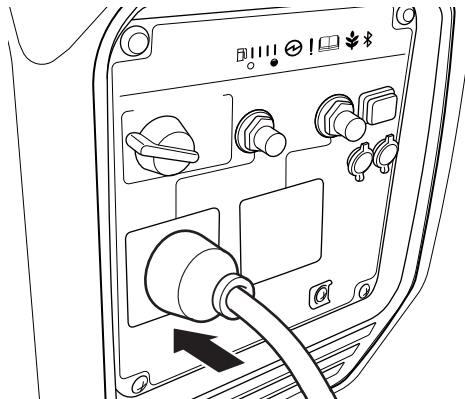
Follow the instructions provided by each RCBO manufacturer before use.



1. Start the engine (see page 40) and make sure the output indicator (green) comes ON.



2. Plug in the appliance.



OPERATION

3. Turn on the appliance.

If the generator is overloaded (see page 46), or if there is a short circuit in a connected appliance, the overload alarm indicator (red) will go ON. The overload alarm indicator (red) will stay ON, and after about 10 seconds when an overload or about 5 seconds in case of a short circuit, current to the connected appliance(s) will shut off, and the output indicator (green) will go OFF. Stop the engine and investigate the problem.

Determine if the cause is a short circuit in a connected appliance or an overload. Correct the problem and restart the generator.

AC Applications

Before connecting an appliance or power cord to the generator:

- Make sure that it is in good working order. A faulty appliance or power cord can create a potential for electrical shock.
- If an appliance begins to operate abnormally, becomes sluggish, or stops suddenly, turn it off immediately. Disconnect the appliance, and determine whether the problem is the appliance or the rated load capacity of the generator has been exceeded.

Most appliance motors require more than their rated wattage for startup. Make sure the electrical rating of the tool or appliance does not exceed the maximum power rating of the generator.

Maximum power is:

3.2 kVA

For continuous operation, do not exceed the rated power.

Rated power is:

2.6 kVA

In either case, the total power requirements (VA) of all appliances connected must be considered. Appliance and power tool manufacturers usually list rating information near the model number or serial number.

NOTICE

Substantial overloading that continuously lights the overload alarm indicator (red) may damage the generator. Marginal overloading that temporarily lights the overload alarm indicator (red) may shorten the service life of the generator.

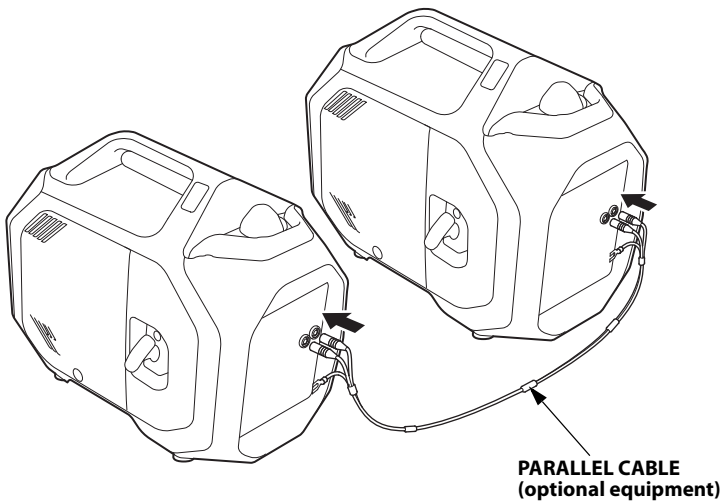
AC PARALLEL OPERATION

Before connecting an appliance to either generator, make sure that the appliance is in good working order and that its electrical rating does not exceed that of the receptacle.

Most motorized appliances require more than their electrical rating for startup. When an electric motor is started, the overload alarm indicator (red) may come ON. This is normal if the overload alarm indicator (red) goes OFF within 4 seconds. If the Oil Alert/Check indicator (red) blink continuously, consult an authorized Honda servicing dealer.

During parallel operation, the Eco Throttle switch should be in the same position on both generators.

1. Connect the parallel cable between the two EU32i generators following the instructions supplied with the cable.



2. Start the engines (see page 40) and make sure the output indicator (green) on each generator comes ON (see page 44).

OPERATION

3. Plug in the appliance following the instruction provided with the parallel cable.
4. Turn on the appliance.

If the generators are overloaded (see page 49), or if there is a short circuit in a connected appliance, the overload alarm indicator (red) will go ON. The overload alarm indicator (red) will stay ON, and after about 10 seconds when an overload or about 5 seconds in case of a short circuit, current to the connected appliance(s) will shut off, and the output indicator (green) will go OFF. Stop both engines and investigate the problem.

Determine if the cause is a short circuit in a connected appliance or an overload. Correct the problem and restart the generator.

AC Parallel Operation Applications

Follow the instructions included with the parallel cable.

Before connecting an appliance or power cord to the generator:

- Make sure that it is in good working order. A faulty appliance or power cord can create a potential for electrical shock.
- If an appliance begins to operate abnormally, becomes sluggish, or stops suddenly, turn it off immediately. Disconnect the appliance, and determine whether the problem is the appliance or the rated load capacity of the generator has been exceeded.
- Never connect different generator models and types.
- Use only a Honda approved parallel cable (optional equipment) when connecting two EU32i generators for parallel operation.
- Never connect or remove the parallel cable when the generator is running.
- For single generator operation, the parallel cable must be removed.

Most appliance motors require more than their rated wattage for startup. Make sure the electrical rating of the tool or appliance does not exceed the maximum power rating of the generator.

Maximum power in parallel operation is:

6.4 kVA

For continuous operation, do not exceed the rated power.

Rated power in parallel operation is:

5.2 kVA

In either case, the total power requirements (VA) of all appliances connected must be considered. Appliance and power tool manufacturers usually list rating information near the model number or serial number.

NOTICE

Substantial overloading that continuously lights the overload alarm indicator (red) may damage the generator. Marginal overloading that temporarily lights the overload alarm indicator (red) may shorten the service life of the generator.

OPERATION

ECO THROTTLE SYSTEM

Each time you push the Eco Throttle Switch, the system turns on and off.

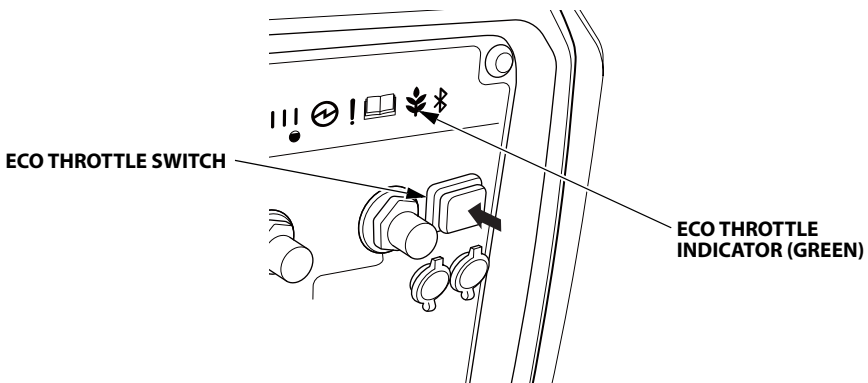
With the system in the ON, engine speed is automatically lowered when loads are reduced, turned off, or disconnected. When appliances are turned on or reconnected, the engine returns to the proper speed to power the electrical load. In the OFF, the Eco Throttle system does not operate.

Appliances with large start-up power demands may not allow the engine to reach normal operating rpm when they are connected to the generator. Turn the Eco Throttle system to the OFF and connect the appliance to the generator. If the engine still will not reach normal operating speed, check that the appliance does not exceed the rated load capacity of the generator.

If high electrical loads are connected simultaneously, turn the Eco Throttle system to the OFF to reduce voltage changes.

The Eco Throttle system is not effective for use with appliances or tools that require only momentary power. If the tool or appliance will be turned ON and OFF quickly, the Eco Throttle system should be in the OFF.

Eco Throttle system ON	Indicator lights on (green) <ul style="list-style-type: none">• Recommended to minimize fuel consumption and further reduce noise levels when less than a full load is applied to the generator.
Eco Throttle system OFF	Indicator lights off <ul style="list-style-type: none">• The Eco Throttle system does not operate.



STANDBY POWER

Connections to a Building's Electrical System

Connections for standby power to a building's electrical system must be made by a qualified electrician. The connection must isolate the generator power from utility power, and must comply with all applicable laws and electrical codes.

WARNING

Improper connections to a building's electrical system can allow current from the generator to backfeed into the utility lines.

Such backfeed may electrocute utility company workers or others who contact the lines during a power outage, and the generator may explode, burn, or cause fires when utility power is restored.

Consult the utility company or a qualified electrician prior to making any power connections.

In some areas, generators are required by law to be registered with local utility companies. Check local regulations for proper registration and use procedures.

System Ground

This generator has a system ground that connects the generator frame components to ground terminals in the AC output receptacles. The system ground is not connected to the AC neutral wire.

OPERATION

Special Requirements

NOTICE

Do not lay the generator on its side when moving, storing, or operating it. Oil and fuel may leak and damage the engine or your property.

There may be applicable laws, local codes, or ordinances that apply to the intended use of the generator. Please consult a qualified electrician, electrical inspector, or the local agency having jurisdiction.

- In some areas, generators are required to be registered with local utility companies.
- If the generator is used at a construction site, there may be additional regulations that must be observed.

SERVICING YOUR GENERATOR

THE IMPORTANCE OF MAINTENANCE

Good maintenance is essential for safe, economical, and trouble-free operation. It will also help reduce air pollution.

To help you properly care for your generator, the following pages include a maintenance schedule, routine inspection procedures, and simple maintenance procedures using basic hand tools. Other service tasks that are more difficult or require special tools are best handled by professionals and are normally performed by a Honda technician or other qualified mechanic.

The maintenance schedule applies to normal operating conditions. If you operate your generator under unusual conditions, such as sustained high-load or high-temperature operation, or use it in dusty conditions, consult your servicing dealer for recommendations applicable to your individual needs and use.

WARNING

Failure to properly maintain this generator, or failing to correct a problem before operation, could result in a significant malfunction.

Some malfunctions can cause serious injuries or death.

Always follow the inspection and maintenance recommendations and schedules in this owner's manual.

Remember that an authorized Honda servicing dealer knows your generator best and is fully equipped to maintain and repair it.

To ensure the best quality and reliability, use only new, Honda Genuine parts or their equivalents for repair and replacement.

SERVICING YOUR GENERATOR

MAINTENANCE SAFETY

Some of the most important safety precautions follow. However, we cannot warn you of every conceivable hazard that can arise in performing maintenance. Only you can decide whether or not you should perform a given task.

WARNING

Improper maintenance can cause an unsafe condition.

Failure to properly follow maintenance instructions and precautions can cause serious injuries or death.

Always follow the procedures and precautions in this owner's manual.

Safety Precautions

Read the instructions before you begin, and make sure you have the tools and skills required.

- Make sure the engine is off before you begin any maintenance or repairs. This will eliminate several potential hazards:
 - **Carbon monoxide poisoning from engine exhaust**
Operate outside away from open windows or doors with engine exhaust directed away from occupied structures.
 - **Burns from hot parts**
Let the engine and exhaust system cool before touching.
 - **Injury from moving parts**
Do not run the engine unless instructed to do so.
- To reduce the possibility of fire or explosion, be careful when working around gasoline. Use only a non-flammable solvent, not gasoline, to clean parts. Keep cigarettes, sparks, and flames away from all fuel-related parts.

SERVICING YOUR GENERATOR

MAINTENANCE SCHEDULE

Failure to follow this maintenance schedule could result in non-warrantable failures.

REGULAR SERVICE PERIOD (3) Perform at every indicated month or operating hour interval, whichever comes first.		Each use	First month or 20 Hrs.	Every 3 months or 50 Hrs.	Every 6 months or 100 Hrs.	Every year or 300 Hrs.	Page
ITEM							
Engine oil	Check level	o					36
	Change (first time from purchase)		o				56
	Change				o		56
Air cleaner (element)	Check	o					37
	Clean			o (1)			57
	Replace					o	37
Spark plug	Check-adjust				o		58
	Replace					o	58
Spark arrester	Clean				o		60
Timing belt	Check		After every 250 hrs. (2)				—
Valve clearance	Check-adjust					o (2)	—
Combustion chamber	Clean		After every 500 hrs. (2)				—
Fuel tank	Clean		Every 2 years or 1,000 hrs. (2)				—
Fuel pump filter	Replace		Every 2 years or 1,000 hrs. (2)				—
Fuel tube	Check		Every 2 years (Replace if necessary) (2)				—
Canister	Check		Every 2 years (Replace if necessary) (2)				—
Purge tube	Check		Every 2 years (Replace if necessary) (2)				—
Charge tube	Check		Every 2 years (Replace if necessary) (2)				—
Air tube	Check		Every 2 years (Replace if necessary) (2)				—
Drain tube	Check		Every 2 years (Replace if necessary) (2)				—

- (1) Service more frequently when used in dusty areas.
- (2) These items should be serviced by your servicing dealer, unless you have the proper tools and are mechanically proficient. Refer to the Honda shop manual for service procedures.
- (3) For commercial use, log hours of operation to determine proper maintenance intervals.

This generator is equipped with a catalytic converter. If the engine is not properly maintained, the catalyst in the muffler may lose effectiveness.

SERVICING YOUR GENERATOR

ENGINE OIL CHANGE

Drain the oil while the engine is warm to assure rapid and complete draining.

1. Turn the engine switch to the OFF position (see page 42) to reduce the possibility of fuel leakage.
2. Loosen the maintenance cover screw and remove the maintenance cover (see page 36).
3. Place a suitable container next to the engine to catch the used oil.
4. Remove the oil filler cap, and drain the oil into the container by tipping the engine toward the oil filler neck.

NOTICE

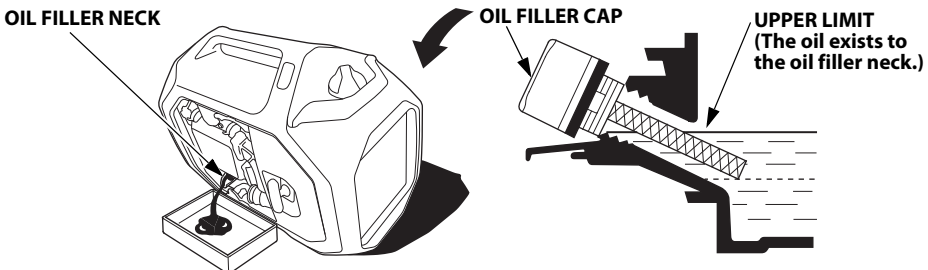
Improper disposal of engine oil can be harmful to the environment. If you change your own oil, please dispose of the used oil properly. Do not discard it in a trash bin, dump it on the ground, or pour it down the drain.

5. With the generator in a level position, fill with the recommended oil to the upper limit. Do not overfill.
 - "Upper limit" means the oil exists to the oil filler neck. Refer to "ENGINE OIL RECOMMENDATIONS" in page 17.

Maximum oil capacity: 0.46 L (0.48 US qt, 0.40 Imp qt)

6. Reinstall the oil filler cap securely.
7. Reinstall the maintenance cover and tighten the maintenance cover screw securely.

Wash your hands with soap and water after handling used oil.

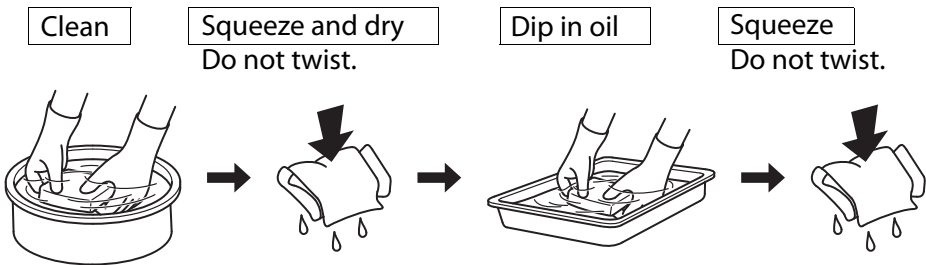


AIR CLEANER SERVICE

Foam Air Filter Cleaning

A dirty foam air filter will restrict air flow to the fuel system, reducing engine performance. If you operate the generator in very dusty areas, clean the foam air filter more frequently than specified in the Maintenance Schedule.

1. Clean the foam air filter in warm soapy water, rinse, and allow to dry thoroughly, or clean in nonflammable solvent and allow to dry.
2. Dip the foam air filter in clean engine oil, and then squeeze out all excess oil. The engine will smoke when started if too much oil is left in the filter.



3. Wipe dirt from inside of the air cleaner cover using a moist rag. Be careful to prevent dirt from entering the air duct that leads to the fuel system.

SERVICING YOUR GENERATOR

SPARK PLUG SERVICE

Recommended spark plug: CR6HSB (NGK)

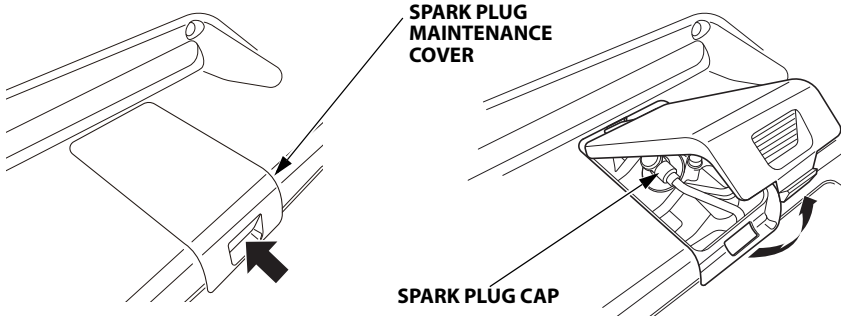
To ensure proper engine operation, the spark plug must be properly gapped and free of deposits.

NOTICE

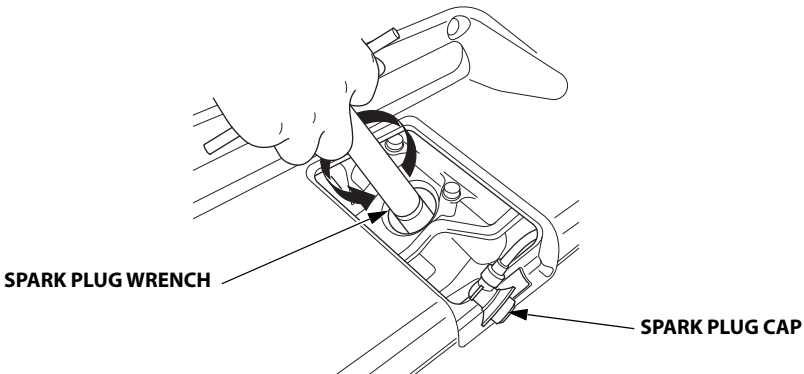
An incorrect spark plug can cause engine damage.

If the engine is hot, allow it to cool before servicing the spark plug.

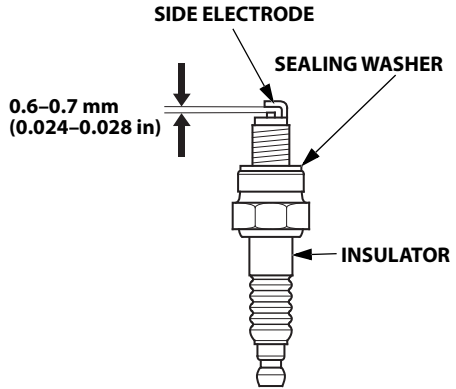
1. Remove the spark plug maintenance cover.



2. Disconnect the spark plug cap, and remove any dirt from around the spark plug area.
3. Remove the spark plug with a spark plug wrench.



4. Inspect the spark plug. Replace it if the electrodes are worn or fouled, or if the insulator is cracked or chipped. Clean the spark plug with a wire brush if it is to be reused.
5. Measure the spark plug electrode gap with a wire-type feeler gauge. Correct the gap, if necessary, by carefully bending the side electrode.



Spark plug gap:

0.6–0.7 mm (0.024–0.028 in)

6. Make sure that the spark plug sealing washer is in good condition, and thread the spark plug in by hand to prevent cross-threading.
7. After the spark plug is seated, tighten with a spark plug wrench to compress the washer.
If reinstalling a used spark plug, tighten 1/8–1/4 turn after the spark plug is seated.
If installing a new spark plug, tighten 1/2 turn after the spark plug is seated.

Torque: 12 N·m (1.2 kgf·m, 9 lbf·ft)

NOTICE

*A loose spark plug can overheat and damage the engine.
Overtightening the spark plug can damage the threads in the cylinder head.*

8. Reinstall the spark plug cap on the spark plug securely.
9. Reinstall the spark plug maintenance cover.

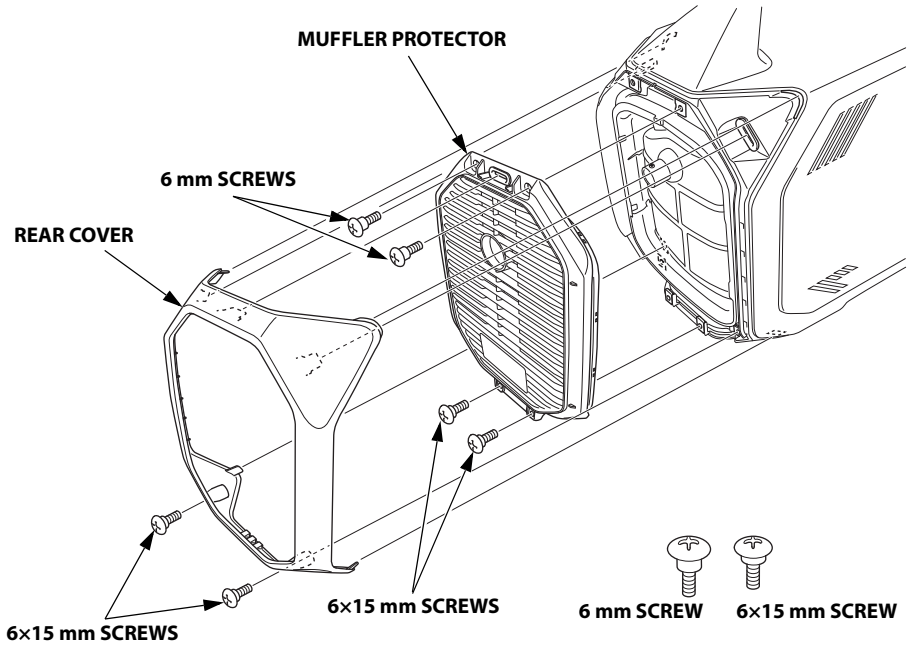
SERVICING YOUR GENERATOR

SPARK ARRESTER SERVICE

If the engine has been running, the muffler will be very hot. Allow the muffler to cool before servicing the spark arrester.

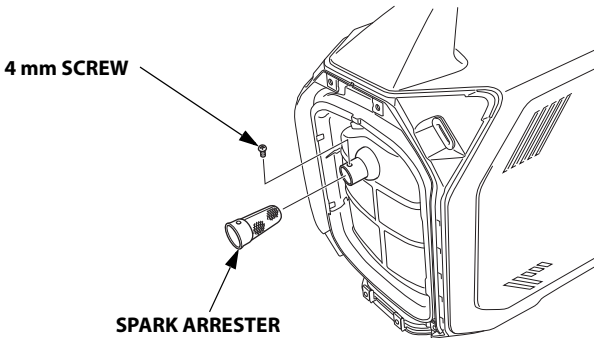
Clean the spark arrester as follows:

1. Remove the two 6×15 mm screws, and the rear cover.
Remove the two 6 mm screws, two 6×15 mm screws and the muffler protector.



SERVICING YOUR GENERATOR

2. Remove the 4 mm screw, and the spark arrester.



3. Use a brush to remove carbon deposits from the spark arrester screen. Be careful to avoid damaging the screen. The spark arrester must be free of breaks and tears. Replace the spark arrester if it is damaged.



4. Install the spark arrester, the muffler protector, and the rear cover in the reverse order of removal.

STORAGE

STORAGE PREPARATION

Proper storage preparation is essential for keeping your generator trouble-free and looking good. The following steps will help to keep rust and corrosion from impairing your generator's function and appearance, and will make the engine easier to start when you use the generator again.

Cleaning

Wipe the generator with a moist cloth. After the generator has dried, touch up any damaged paint, and coat other areas that may rust with a light film of oil.

Fuel

NOTICE

Depending on the region where you operate your equipment, fuel formulations may deteriorate and oxidize rapidly. Fuel deterioration and oxidation can occur in as little as 30 days and may cause damage to the fuel system. Please check with your servicing dealer for local storage recommendations.

Gasoline will oxidize and deteriorate in storage. Old gasoline will cause hard starting, and it leaves gum deposits that clog the fuel system. If the gasoline in your generator deteriorates during storage, you may need to have the fuel system components serviced or replaced.

The length of time that gasoline can be left in your fuel tank without causing functional problems will vary with such factors as gasoline blend, your storage temperatures, and whether the fuel tank is partly or completely filled. The air in a partly filled fuel tank promotes fuel deterioration. Very warm storage temperatures accelerate fuel deterioration. Fuel deterioration problems may occur within a few months, or even less if the gasoline was not fresh when you filled the fuel tank.

Service according to the table below:

STORAGE TIME	RECOMMENDED SERVICE PROCEDURE TO PREVENT HARD STARTING
Less than 1 month	No preparation required.
1 month to 1 year	Drain the fuel tank (see page 64).
1 year or more	Drain the fuel tank (see page 64). Remove the spark plug. Put a teaspoon of engine oil into the cylinder. Turn the engine slowly with the pull rope to distribute the oil. Reinstall the spark plug. Change the engine oil (see page 56).

STORAGE

DRAINING THE FUEL TANK

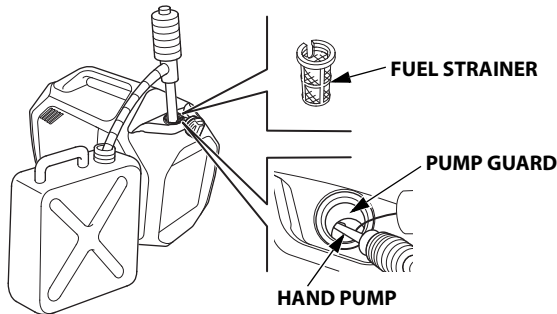
WARNING

Gasoline is highly flammable and explosive.

You can be burned or seriously injured when handling fuel.

- Stop the engine and let it cool before handling fuel.
- Keep heat, sparks, and flame away.
- Handle fuel only outdoors.
- Keep away from your vehicle.
- Wipe up spills immediately.

Unscrew the fuel filler cap (see page 19), remove the fuel strainer, and empty the fuel tank into an approved gasoline container. We recommend using a commercially available gasoline hand pump to empty the tank. Do not use an electric pump. Siphon the gasoline by inserting the tip of the hand pump into the side of the pump guard, as shown in the figure below. Reinstall the fuel strainer and the fuel filler cap.



Engine Oil

Change the engine oil (see page 56).

Engine Cylinder

1. Remove the spark plug (see page 58).
2. Pour a teaspoon (5 cm³) of clean engine oil into the cylinder.
3. Pull the starter rope several times to distribute the oil in the cylinder.
4. Reinstall the spark plug (see page 58).
5. Slowly pull the starter grip until resistance is felt. At this point, the piston is coming up on its compression stroke and both the intake and exhaust valves are closed. Storing the engine in this position will help to protect it from internal corrosion. Return the starter grip gently.

STORAGE

STORAGE PRECAUTIONS

If your generator will be stored with gasoline in the fuel tank, it is important to reduce the hazard of gasoline vapor ignition.

Select a well-ventilated storage area away from any appliance that operates with a flame, such as a furnace, water heater, or clothes dryer.

Also, avoid any area with a spark-producing electric motor, or where power tools are operated.

If possible, avoid storage areas with high humidity, because that promotes rust and corrosion.

Place the generator on a level surface. Tilting or laying it on its side can cause fuel or oil leakage.

With the engine and exhaust system cool, cover the generator to keep out dust. A hot engine and exhaust system can ignite or melt some materials.

Do not use a plastic sheet as a dust cover. A nonporous cover will trap moisture around the generator, promoting rust and corrosion.

REMOVAL FROM STORAGE

Check your generator as described in the "BEFORE OPERATION" chapter of this manual (see page 33).

If the fuel was drained during storage preparation, fill the fuel tank with fresh gasoline. If you keep a container of gasoline for refueling, be sure that it contains only fresh gasoline. Gasoline oxidizes and deteriorates over time, causing hard starting.

If the cylinder was coated with oil during storage preparation, the engine may smoke briefly at startup. This is normal.

TRANSPORTING

⚠ CAUTION

An engine that has been running will remain very hot for a period of time.

A hot engine and exhaust system can burn you and ignite some material.

If the generator has been used, allow it to cool for at least 15 minutes before loading the generator on the transport vehicle.

Drain the fuel from the fuel tank when transporting.

To prevent spillage when transporting, the generator should be secured upright in its normal operating position.

NOTICE

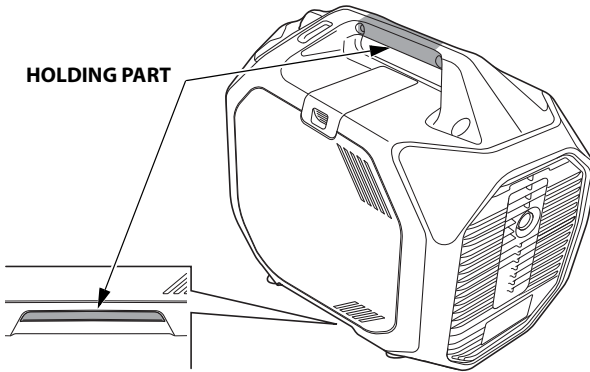
Do not lay the generator on its side when moving, storing, or operating it. Oil or fuel may leak and damage the engine or your property.

Do not operate the generator while it is being transported or while it is mounted to any type of vehicle, trailer, or boat.

Take care not to drop or strike the generator when transporting. Do not place heavy objects on the generator.

TRANSPORTING

To transport the generator, hold the holding part (shaded areas in the figure below).



Avoid a place exposed to direct sunlight when putting the generator on a vehicle. If the generator is left in an enclosed vehicle for many hours, high temperature inside the vehicle could cause fuel to vaporize resulting in a possible explosion.

TAKING CARE OF UNEXPECTED PROBLEMS

ENGINE SPEED IS UNSTABLE OR WILL NOT START

Possible Cause	Correction
Engine switch is in the OFF position.	Turn engine switch to the ON position (see page 40).
Out of fuel.	Refuel (see page 18).
Bad fuel; generator stored without treating or draining gasoline, or refueled with bad gasoline.	Drain fuel tank (see page 64). Refuel with fresh gasoline (see page 18).
Low engine oil level caused Oil Alert to stop engine.	Turn the engine switch to the OFF position. Add engine oil. Then turn the engine switch to the ON position and restart the engine.
Spark plug faulty, fouled, or improperly gapped.	Gap or replace spark plug (see page 58).
Spark plug wet with fuel (flooded engine).	Dry and reinstall spark plug.
Fuel filter restricted, fuel system malfunction, fuel pump failure, ignition malfunction, valves stuck, etc.	Take the generator to your servicing dealer, or refer to the shop manual.

TAKING CARE OF UNEXPECTED PROBLEMS

ENGINE LACKS POWER

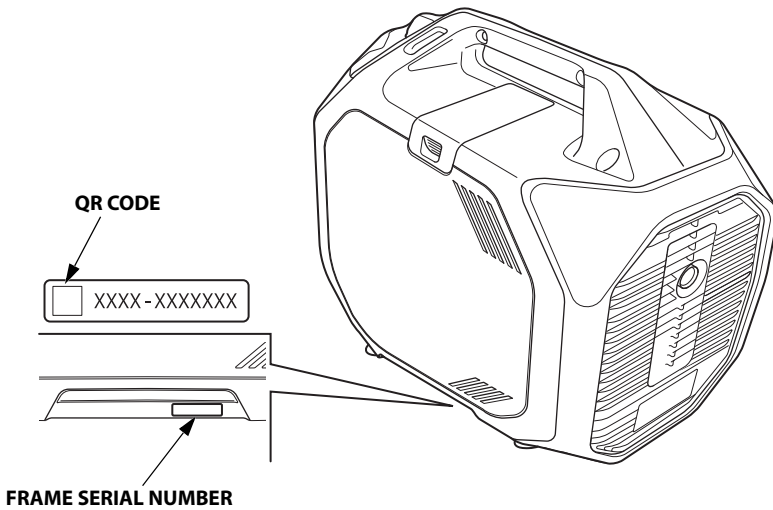
Possible Cause	Correction
Air filter restricted.	Clean or replace air filter (see page 57).
Bad fuel; generator stored without treating or draining gasoline, or refueled with bad gasoline.	Drain fuel tank (see page 64). Refuel with fresh gasoline (see page 18).
Fuel filter restricted, fuel system malfunction, fuel pump failure, ignition malfunction, valves stuck, etc.	Take the generator to your servicing dealer, or refer to the shop manual.

NO POWER AT THE AC RECEPTACLES

Possible Cause	Correction
Output indicator is OFF, and overload alarm indicator is ON.	Check AC load. Stop and restart the engine.
	Check the cooling air inlet. Stop and restart the engine.
Overload alarm indicator blink.	After removing the cause of the overload, power generation can be resumed by pressing and holding the Eco Throttle switch (for more than 3 seconds) (see page 24).
AC circuit protector tripped.	Check AC load and reset circuit protector (see page 25).
Faulty power tool or appliance.	Replace or repair power tool or appliance. Stop and restart the engine.
Faulty generator.	Take the generator to your servicing dealer, or refer to the shop manual.

TECHNICAL INFORMATION

SERIAL NUMBER LOCATION



Record the frame serial number and date purchased in the spaces below. You will need this information when ordering parts and when making technical or warranty inquiries.

Frame serial number: _____

Date purchased: _____

TECHNICAL INFORMATION

SPECIFICATIONS

Dimensions

Model	EU32i	
Type	F, G	IT
Description code	EBKJ	
Length	571 mm (22.5 in)	596 mm (23.5 in)
Width	306 mm (12.0 in)	
Height	452 mm (17.8 in)	
Dry mass [weight]	26.5 kg (58.4 lbs)	

Engine

Model	GX130
Engine type	4-stroke, overhead camshaft, single cylinder
Displacement [Bore × Stroke]	130 cm ³ (7.93 cu-in) [56.0 × 53.0 mm (2.20 × 2.09 in)]
Compression ratio	10.0 : 1
Engine speed	4,800 – 5,500 min ⁻¹ (rpm) (with Eco Throttle system OFF)
Cooling system	Forced air
Ignition system	Full transistor
Engine oil capacity	0.46 L (0.48 US qt, 0.40 Imp qt)
Fuel tank capacity	4.6 L (1.21 US gal, 1.01 Imp gal)
Spark plug	CR6HSB (NGK)

[Carbon dioxide (CO₂) emissions*]

Please refer to "CO₂ Information List" on

www.honda-engines-eu.com/co2

*The CO₂ measurement results from testing over a fixed test cycle under laboratory conditions a(n) (parent) engine representative of the engine type (engine family) and shall not imply or express any guarantee of the performance of a particular engine.

Generator

Model		EU32i
Type		F, G, IT
AC output	Rated voltage	230 V
	Rated frequency	50 Hz
	Rated current	11.3 A
	Rated output	2.6 kVA
	Maximum output	3.2 kVA

Communication

<i>Bluetooth</i> [®] version	5.0 (Bluetooth Low Energy)
Frequency band (s)	2,402 MHz - 2,480 MHz
Maximum radio-frequency power	<4 dBm

TECHNICAL INFORMATION

Noise

Model	EU32i
Type	F, G, IT
Sound pressure level at the workstation (2006/42/EC)	73 dB (A) (with Eco throttle ON)
Uncertainty	4 dB (A)
Measured sound power level (2000/14/EC, 2005/88/EC)	88 dB (A) (with Eco throttle ON)
Uncertainty	3 dB (A)
Guaranteed sound power level (2000/14/EC, 2005/88/EC)	91 dB (A) (with Eco throttle ON)

“the figures quoted are emission levels and are not necessarily safe working levels. Whilst there is a correlation between the emission and exposure levels, this cannot be used reliably to determine whether or not further precautions are required. Factors that influence the actual level of exposure of work-force include the characteristics of the work room, the other sources of noise, etc. i.e. the number of machines and other adjacent processes, and the length of time for which an operator is exposed to the noise. Also the permissible exposure level can vary from country. This information, however, will enable the user of the machine to make a better evaluation of the hazard and risk”.

Specifications may vary according to the types, and are subject to change without notice.

Wiring Diagram

(See inside back cover)

Abbreviations

Symbol	Part name
ACCP	AC Circuit Protector
ACOR	AC Output Receptacle
BASe	Bank Angle Sensor
CPB	Control Panel Block
EcoSw	Eco Throttle Switch
ECG	ECU Ground
ECU	ECU
EgB	Engine Block
EgG	Engine Ground
ESw	Engine Switch
(F)	F Type
FrB	Frame Block
FP	Fuel Pump
GCU	Generator Control Unit
GeB	Generator Block
GT	Ground Terminal
IASe	IAT Sensor
IB	Inverter Block
IgC	Ignition Coil
In	Injector
IndU	Indicator Unit
(IT)	IT Type
IU	Inverter Unit
MASe	MAP Sensor
MW	Main Winding
NF	Noise Filter
OLSw	Oil Level Switch
O2Se	O2 Sensor
PC	Pulser Coil
POR	Parallel Operation Receptacle
SP	Spark Plug
SW	Sub Winding
TCM	Throttle Control Motor
TESe	TE Sensor

Wire color code

Bl	Black
Br	Brown
G	Green
Gr	Gray
Bu	Blue
Lb	Light blue
Lg	Light green
O	Orange
P	Pink
R	Red
W	White
Y	Yellow
V	Violet
BE	Beige

ECO THROTTLE SW

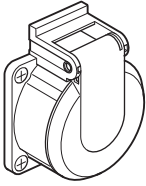
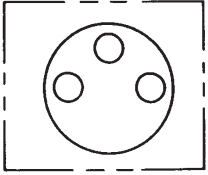
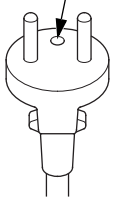
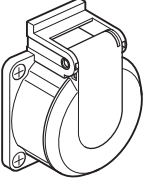
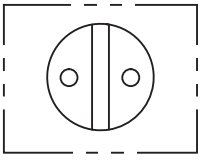
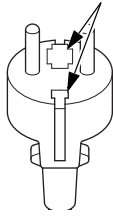
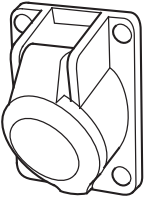
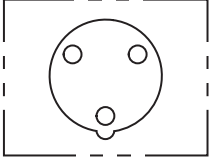
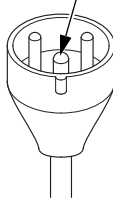
	COM	SW
PUSH	○	○
FREE		

ENG STOP SW

	COM	SW
ON	○	○
OFF		

TECHNICAL INFORMATION

Receptacle

Type	Shape		Plug
F			
G			
IT			

REFERENCE INFORMATION

“QR Code” is registered trademark of DENSO WAVE INCORPORATED.



The *Bluetooth* word mark and logos are registered trademarks owned by Bluetooth SIG, Inc., and any use of such marks by Honda Motor Co., Ltd., is under license. Other trademarks and trade names are those of their respective owners.

MEMO

Honda EU32i

MANUEL DE L'UTILISATEUR
Notice originale



AVERTISSEMENT

Les gaz d'échappement contiennent du monoxyde de carbone, un gaz toxique qui peut s'accumuler à des niveaux dangereux dans des endroits clos ou partiellement clos.

L'inhalation de monoxyde de carbone peut provoquer des évanouissements ou la mort.

Ne faites jamais tourner le moteur du produit dans un endroit clos, même partiellement.

Gardez le présent manuel de l'utilisateur à portée de main afin de pouvoir le consulter à tout moment.

Le présent manuel de l'utilisateur doit être considéré comme un élément permanent du groupe électrogène et doit l'accompagner en cas de revente.

Les informations et caractéristiques figurant dans cette publication étaient effectives au moment de la mise sous presse. Honda Motor Co., Ltd. se réserve toutefois le droit d'arrêter ou de modifier à tout moment les caractéristiques ou la conception sans préavis et sans aucune obligation de sa part.

Les illustrations peuvent varier en fonction du type.

INTRODUCTION

Nous vous remercions d'avoir porté votre choix sur un groupe électrogène Honda.

Nous désirons vous aider à faire le meilleur usage de votre nouveau groupe électrogène et à l'utiliser en sécurité. Vous trouverez dans ce manuel des informations sur la manière d'y parvenir : Lisez-le attentivement.

Nous vous conseillons de lire le bulletin de garantie afin de bien comprendre l'étendue de la garantie et vos responsabilités en tant que propriétaire.

Lorsque votre groupe électrogène a besoin d'une intervention prévue dans le programme d'entretien, n'oubliez pas que votre concessionnaire Honda est spécialement formé pour l'entretien des groupes électrogènes Honda. Votre concessionnaire réparateur Honda n'épargnera aucun effort pour vous donner satisfaction et se fera un plaisir de répondre à toutes vos questions et préoccupations.

INTRODUCTION


QUELQUES MOTS SUR LA SÉCURITÉ

Votre sécurité et la sécurité des autres sont capitales.

Des messages de sécurité importants sont inclus dans le présent manuel et apposés sur le groupe électrogène. Ils vous informent des risques qui peuvent exister pour vous ou les autres. Veuillez lire attentivement ces messages.

Il ne nous est naturellement pas possible de vous avertir de tous les risques associés à l'utilisation ou à l'entretien d'un groupe électrogène. Vous devez faire appel à votre propre jugement.

Des informations de sécurité importantes vous sont communiquées sous diverses formes :

- **Étiquettes de sécurité** — apposées sur le groupe électrogène.
- **Instructions** — comment utiliser ce groupe électrogène correctement et en toute sécurité.
- **Rubriques de sécurité** — telles que le paragraphe *INFORMATIONS DE SÉCURITÉ IMPORTANTES*.
- **Messages de sécurité** — précédés d'un symbole de mise en garde  et de l'un des trois mots-indicateurs DANGER, AVERTISSEMENT ou ATTENTION.

Ces mots-indicateurs signifient :

 **DANGER**

Le non-respect de ces instructions ENTRAÎNERA des BLESSURES GRAVES voire MORTELLES.

 **AVERTISSEMENT**


Le non-respect de ces instructions est SUSCEPTIBLE d'entraîner des BLESSURES GRAVES voire MORTELLES.

 **ATTENTION**

Le non-respect de ces instructions est SUSCEPTIBLE d'entraîner des BLESSURES.

Le manuel tout entier contient des informations de sécurité importantes - lisez-le attentivement.

MESSAGES DE PRÉVENTION DES DOMMAGES

Vous trouverez également des informations précédées d'un symbole  . Ces informations ont pour but de vous aider à éviter les dommages au niveau de votre groupe électrogène, d'autres biens ou de l'environnement.

SOMMAIRE

INTRODUCTION	1
SÉCURITÉ DU GROUPE ÉLECTROGÈNE	6
INFORMATIONS DE SÉCURITÉ IMPORTANTES	6
Responsabilités de l'opérateur	6
Dangers du monoxyde de carbone	7
Risques de décharge électrique	8
Risques d'incendie et de brûlures.....	9
Faire le plein de carburant avec précaution	9
Antidéflagrant.....	10
Risques liés aux véhicules et au transport	10
Mise au rebut.....	10
Mise au rebut du groupe électrogène	10
EMPLACEMENT DES ÉTIQUETTES DE SÉCURITÉ.....	11
CONSIGNES POUR LA PREMIÈRE UTILISATION	16
HUILE MOTEUR	16
RECOMMANDATIONS POUR L'HUILE MOTEUR.....	17
CARBURANT	18
RECOMMANDATIONS POUR LE CARBURANT	20
COMMANDES ET FONCTIONS	21
EMPLACEMENT DES COMPOSANTS ET COMMANDES	21
COMMANDES	23
Commutateur principal	23
Poignée de lancement.....	23
Interrupteur Eco-Throttle.....	24
Sorties de fonctionnement en parallèle	25
Protecteur de circuit CA	25
FONCTIONS	26
Borne de masse	26
Jauge de carburant	27
Témoin de sortie	27
Alarme de surcharge (témoin)	28
Témoin d'alerte/de vérification d'huile	28
Fonction <i>Bluetooth</i> ®	29
Application pour smartphone	29
Schémas de l'éclairage LED.....	31
Poignée et poignée inférieure	32

SOMMAIRE

AVANT UTILISATION	33
ÊTES-VOUS PRÊT À DÉMARRER ?	33
Acquisition des connaissances	33
LE GROUPE ÉLECTROGÈNE EST-IL PRÊT À FONCTIONNER ?	33
Vérification du moteur.....	34
Appareil ou cordon d'alimentation CA.....	34
VÉRIFICATION DU NIVEAU D'HUILE MOTEUR.....	36
VÉRIFICATION DU FILTRE À AIR.....	37
CONSIGNES DE SÉCURITÉ D'UTILISATION.....	39
UTILISATION	40
DÉMARRAGE DU MOTEUR.....	40
ARRÊT DU MOTEUR.....	42
ARRÊT DU MOTEUR AVEC UN SMARTPHONE <i>Bluetooth</i> ®	43
UTILISATION DU COURANT ALTERNATIF	44
Applications CA	46
UTILISATION DU COURANT ALTERNATIF AVEC FONCTIONNEMENT EN PARALLÈLE	47
Applications CA avec fonctionnement en parallèle.....	48
SYSTÈME ECO-THROTTLE.....	50
ALIMENTATION DE SECOURS	51
Raccordement au système électrique d'un bâtiment	51
Masse du système.....	51
Prescriptions spéciales.....	52
ENTRETIEN DU GROUPE ÉLECTROGÈNE	53
IMPORTANCE DE L'ENTRETIEN.....	53
SÉCURITÉ D'ENTRETIEN.....	54
Consignes de sécurité	54
PROGRAMME D'ENTRETIEN	55
VIDANGE DE L'HUILE MOTEUR.....	56
ENTRETIEN DU FILTRE À AIR.....	57
Nettoyage du filtre à air en mousse	57
ENTRETIEN DE LA BOUGIE D'ALLUMAGE	58
ENTRETIEN DU PARE-ÉTINCELLES	60

STOCKAGE	62
PRÉPARATION AU STOCKAGE	62
Nettoyage.....	62
Carburant.....	62
Huile moteur.....	65
Cylindre du moteur	65
PRÉCAUTIONS DE STOCKAGE.....	66
FIN DU STOCKAGE	66
TRANSPORT	67
EN CAS DE PROBLÈME INATTENDU	69
LE MOTEUR NE DÉMARRE PAS	69
LE MOTEUR MANQUE DE PUISSANCE	70
PAS DE COURANT AUX PRISES CA	70
INFORMATIONS TECHNIQUES	71
EMPLACEMENT DES NUMÉROS DE SÉRIE.....	71
CARACTÉRISTIQUES TECHNIQUES	72
INFORMATIONS DE RÉFÉRENCE	77
SUPPLÉMENT	à la fin du manuel
• SCHEMA DE CABLAGE	
• ADRESSES DES PRINCIPAUX DISTRIBUTEURS Honda	
• "UK-Declaration de conformite" DESCRIPTION DE TABLE DES MATIERES	
• "CE-Declaration de conformite" DESCRIPTION DE TABLE DES MATIERES	

SÉCURITÉ DU GROUPE ÉLECTROGÈNE

INFORMATIONS DE SÉCURITÉ IMPORTANTES

Les groupes électrogènes Honda sont destinés à alimenter des équipements électriques ayant une puissance requise appropriée. Toute autre utilisation peut entraîner des blessures de l'opérateur ou endommager le groupe électrogène et d'autres biens.

La plupart des blessures ou dommages peuvent être évités si vous respectez toutes les instructions figurant dans le présent manuel et sur le groupe électrogène. Les dangers les plus courants sont décrits ci-dessous avec l'indication des meilleurs moyens pour s'en protéger, soi-même et les autres.

Responsabilités de l'opérateur

- N'essayez jamais de modifier le groupe électrogène. Il pourrait en résulter un accident, ainsi que des dommages au groupe électrogène et aux appareils. L'altération du moteur annule l'homologation européenne de ce dernier.
 - Ne raccordez pas de rallonge au silencieux.
 - Ne modifiez pas le système d'admission.
 - Ne réglez pas le régulateur de régime.
 - Ne déposez pas le panneau de commande et ne modifiez pas son câblage.
- Apprenez à arrêter rapidement le groupe électrogène en cas d'urgence.
- Assimilez bien l'utilisation de toutes les commandes du groupe électrogène, prises de sortie et connexions.
- Veillez à ce que toutes les personnes utilisant le groupe électrogène reçoivent des instructions appropriées.
- Protégez les enfants en les maintenant à une distance sûre du groupe électrogène.
- Observez les instructions du présent manuel sur la manière d'utiliser le groupe électrogène, ainsi que les informations d'entretien. Le non-respect des instructions peut entraîner un accident tel qu'une décharge électrique et une dégradation de l'état des gaz d'échappement.
- Ne faites pas fonctionner le groupe électrogène avec un couvercle retiré. Vous vous exposez à un accident si votre main ou votre pied se prend dans le groupe électrogène.

SÉCURITÉ DU GROUPE ÉLECTROGÈNE

- Pour les opérations de démontage et les interventions sur le groupe électrogène non couvertes par le présent manuel, consultez votre concessionnaire Honda agréé.
- Respectez toutes les législations et réglementations applicables du lieu où le groupe électrogène est utilisé.
- L'essence et l'huile sont toxiques. Suivez les instructions fournies par chaque fabricant avant l'emploi.
- Avant utilisation, placez le groupe électrogène sur une surface horizontale et ferme.

Dangers du monoxyde de carbone

Les gaz d'échappement du groupe électrogène contiennent du monoxyde de carbone, un gaz toxique, incolore et inodore. L'inhalation de monoxyde de carbone peut VOUS TUER EN QUELQUES MINUTES. Pour éviter l'intoxication au monoxyde de carbone, respectez les consignes suivantes lors de l'utilisation d'un groupe électrogène :

- Faites uniquement fonctionner le groupe électrogène À L'EXTÉRIEUR, à distance des fenêtres, des portes et des aérations, avec les gaz d'échappement du moteur non orientés vers des structures occupées.
- Ne faites jamais fonctionner le groupe électrogène dans une maison, un garage, un sous-sol, un vide sanitaire, dans quelque type de véhicule, de remorque ou de bateau que ce soit ou dans des endroits clos ou partiellement clos.
- Ne faites jamais fonctionner le groupe électrogène à proximité de portes, de fenêtres, d'aérations ou de trappes ouvertes.
- Si vous pensez avoir inhalé du monoxyde de carbone, sortez prendre l'air et consultez immédiatement un médecin.

Les premiers symptômes d'une exposition au monoxyde de carbone sont notamment des maux de tête, une fatigue, un manque de souffle, des nausées et des étourdissements. L'exposition prolongée au monoxyde de carbone peut occasionner une perte de coordination musculaire, un évanouissement, puis le décès.

SÉCURITÉ DU GROUPE ÉLECTROGÈNE

Risques de décharge électrique

Le groupe électrogène produit une puissance électrique suffisamment importante pour provoquer une décharge électrique ou une électrocution s'il est mal utilisé.

- Ne l'utilisez pas dans des conditions d'humidité. Gardez le groupe électrogène sec.
 - Ne l'utilisez pas sous la pluie ou dans la neige.
 - Ne l'utilisez pas à proximité d'une piscine ou d'un système d'arrosage ou d'extinction automatique.
 - Ne l'utilisez pas avec les mains mouillées.
- Si le groupe électrogène est stocké à l'extérieur dans un endroit non protégé contre les intempéries, vérifiez tous les composants électriques du panneau de commande avant chaque utilisation. L'humidité ou la glace peut provoquer une anomalie de fonctionnement ou un court-circuit des composants électriques et causer une électrocution.
- Ne raccordez pas le groupe électrogène au système électrique d'un bâtiment à moins qu'un interrupteur d'isolement ait été installé par un électricien qualifié.
- Pour le fonctionnement en parallèle, utilisez uniquement le câble de fonctionnement en parallèle agréé par Honda (équipement en option) pour raccorder un groupe électrogène EU32i à un autre groupe électrogène EU32i.
- Ne raccordez jamais des modèles de groupes électrogènes différents.
- En cas de décharge électrique, consultez immédiatement un médecin pour recevoir un traitement médical.

Risques d'incendie et de brûlures

- Le système d'échappement chauffe suffisamment pour enflammer certains matériaux.
 - Gardez le groupe électrogène à au moins un mètre des bâtiments, de quelque type de véhicule, de remorque ou de bateau que ce soit et des autres équipements pendant l'utilisation.
 - N'enfermez pas le groupe électrogène dans une structure.
 - Maintenez les matériaux inflammables à distance du groupe électrogène.
 - N'obstruez pas les aérations, flexibles et ports d'admission ou d'échappement et ne limitez pas le passage de l'air entrant ou sortant du groupe électrogène.
 - N'ajoutez pas, ne retirez pas et ne modifiez pas les couvercles, les panneaux, les capots et les attaches.
- Certaines pièces du moteur à combustion interne sont chaudes et peuvent provoquer des brûlures. Faites attention aux avertissements sur le groupe électrogène.
- Le silencieux devient très chaud lors du fonctionnement et reste chaud pendant un moment après l'arrêt du moteur. Veillez à ne pas toucher le silencieux lorsqu'il est chaud. Laissez le moteur refroidir avant de ranger le groupe électrogène.
- En cas d'incendie du groupe électrogène, ne versez pas d'eau directement dessus. Utilisez un extincteur approprié spécialement conçu pour les incendies électriques ou d'hydrocarbures.
- Si vous avez respiré des fumées générées par un incendie accidentel du groupe électrogène, consultez immédiatement un médecin pour recevoir un traitement médical.

Faire le plein de carburant avec précaution

L'essence est extrêmement inflammable et les vapeurs d'essence peuvent exploser.

- Ne faites pas le plein de carburant pendant l'utilisation.
- Laissez le moteur refroidir s'il vient de fonctionner.
- Ne faites le plein qu'à l'extérieur dans un endroit bien aéré et sur une surface de niveau.
- Ne fumez jamais à proximité de l'essence et n'approchez pas de flammes ou d'étincelles.
- Ne remplissez pas trop le réservoir de carburant.
- Avant de mettre le moteur en marche, assurez-vous que le carburant éventuellement renversé a été essuyé et nettoyé.
- Stockez toujours l'essence dans un récipient approprié.

SÉCURITÉ DU GROUPE ÉLECTROGÈNE

Antidéflagrant

Ce groupe électrogène n'est pas à l'épreuve des déflagrations.

Risques liés aux véhicules et au transport

- Vidangez le carburant du réservoir lors du transport.
- N'utilisez pas le groupe électrogène lors de son transport ou de son installation sur n'importe quel type de véhicule, de remorque ou de bateau.
- N'utilisez pas le groupe électrogène lorsqu'il se trouve dans une enceinte de stockage, de chargement ou de sécurité, y compris les baies de groupes électrogènes des véhicules de plaisance.
- Retirez toujours le groupe électrogène du véhicule, du véhicule de plaisance, du camion, de la remorque, du bateau et des autres équipements ou structures lors de l'utilisation.
- Le groupe électrogène doit rester immobile lors de l'utilisation.

Mise au rebut

Pour protéger l'environnement, ne jetez pas le groupe électrogène, la batterie, l'huile moteur, etc. aux ordures.

Pour leur mise au rebut, observez les législations ou réglementations locales ou consultez votre concessionnaire Honda agréé.

Veillez mettre l'huile moteur usagée au rebut de manière adaptée à l'environnement. Nous vous suggérons de la transporter dans un bidon fermé hermétiquement jusqu'à la station-service la plus proche pour la faire recycler. Ne la jetez pas aux ordures et ne la déversez pas au sol.

Une batterie jetée n'importe où peut être nocive pour l'environnement. Respectez toujours les réglementations locales pour la mise au rebut des batteries. Faites remplacer la batterie par votre centre de réparations.

Mise au rebut du groupe électrogène



Ne mettez pas les équipements électriques au rebut avec les ordures ménagères. Si des appareils électriques sont mis au rebut dans des décharges, des substances peuvent fuir, réagir et entrer dans la chaîne alimentaire et nuire à votre santé et à votre bien-être. Pour de plus amples informations sur la mise au rebut de ce produit, veuillez consulter votre revendeur ou le service de collecte des ordures ménagères le plus proche.

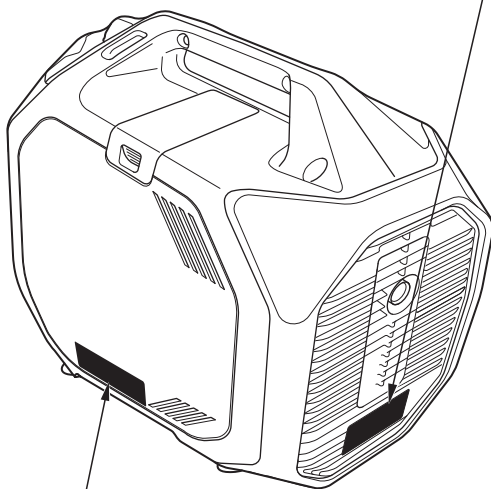
SÉCURITÉ DU GROUPE ÉLECTROGÈNE

EMPLACEMENT DES ÉTIQUETTES DE SÉCURITÉ

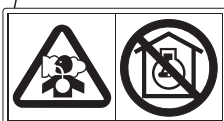
Ces étiquettes ont pour objet de mettre en garde contre les risques potentiels de blessures graves. Lisez-les attentivement.

Si une étiquette se détache ou devient illisible, adressez-vous à un centre de réparations pour la faire remplacer.

MISE EN GARDE SUR LES
PIÈCES BRÛLANTES



LIRE LE MANUEL
DE L'UTILISATEUR



MISE EN GARDE SUR
L'ÉCHAPPEMENT



MISE EN GARDE SUR LE
CARBURANT

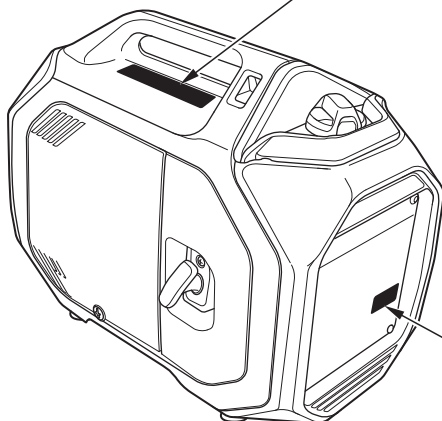
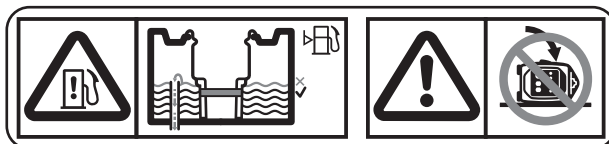


MISE EN GARDE SUR
LES RACCORDEMENTS

SÉCURITÉ DU GROUPE ÉLECTROGÈNE

NE PAS TROP REMPLIR

NE PAS FAIRE BASCULER



**MISE EN GARDE SUR LA
PRISE**



SÉCURITÉ DU GROUPE ÉLECTROGÈNE



- Un système d'échappement chaud peut provoquer de graves brûlures.
Ne le touchez pas si le moteur vient de tourner.



- Les groupes électrogènes Honda ont été conçus pour assurer un fonctionnement sûr et fiable lorsqu'ils sont utilisés conformément aux instructions données.
Lisez et assimilez le manuel de l'utilisateur avant d'utiliser le groupe électrogène. Le non-respect de cette consigne peut entraîner des blessures ou des dommages.

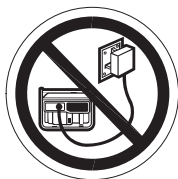


- Les gaz d'échappement contiennent du monoxyde de carbone, un gaz toxique incolore et inodore. L'inhalation de monoxyde de carbone peut provoquer l'évanouissement et entraîner la mort.
- Si vous faites fonctionner le groupe électrogène dans un endroit fermé ou même partiellement clos, l'air respiré peut contenir une quantité dangereuse de gaz d'échappement.
- Ne faites jamais fonctionner le groupe électrogène dans un garage, dans une maison ou à proximité de fenêtres ou de portes ouvertes.



- L'essence est hautement inflammable et explosive. Arrêtez le moteur et laissez-le refroidir avant de faire le plein.

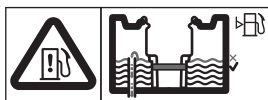
SÉCURITÉ DU GROUPE ÉLECTROGÈNE



- Un raccordement incorrect au système électrique d'un bâtiment peut permettre le retour du courant du groupe électrogène dans le réseau public.

Un tel retour du courant peut provoquer l'électrocution du personnel de la compagnie d'électricité ou de toute autre personne touchant les lignes électriques pendant une panne de courant. De plus, le groupe électrogène risque d'exploser, de brûler ou de provoquer un incendie lors du rétablissement du courant.

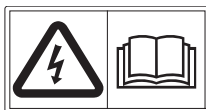
Avant d'effectuer des raccordements électriques, consultez la compagnie d'électricité ou un électricien qualifié.



- Ne remplissez pas le réservoir au-delà du repère de limite rouge.

Le remplissage excessif ou le basculement du groupe électrogène peut entraîner l'écoulement de carburant dans l'aérateur et provoquer une fuite ou un incendie.

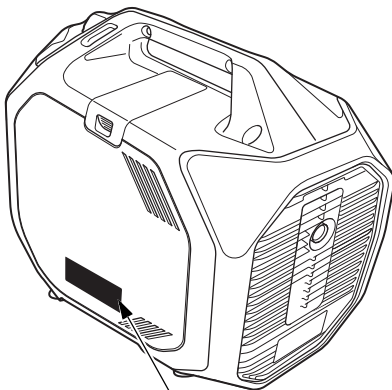
Vous risquez des brûlures ou des blessures graves.



- Raccordez et retirez le boîtier de la prise pour le fonctionnement en parallèle lorsque le moteur est à l'arrêt.
- Pour l'utilisation d'un groupe électrogène seul, le boîtier de la prise pour le fonctionnement en parallèle doit être retiré.

SÉCURITÉ DU GROUPE ÉLECTROGÈNE

- Emplacement des marquages CE, UKCA et de puissance acoustique



MARQUAGES CE, UKCA ET DE PUISSANCE ACOUSTIQUE

Diagram illustrating the location of the CE, UKCA, and acoustic power markings on the generator's side panel. The diagram is annotated with labels in French:

- Etiquette sur les émissions sonores** (Acoustic emission label)
- Classe de performances** (Performance class)
- Nom et adresse du fabricant** (Manufacturer name and address)
- Classe de qualité** (Quality class)
- Année de production** (Year of production)
- Code IP** (IP code)
- Masse à sec (poids)** (Dry mass (weight))
- Nom et adresse du représentant autorisé** (Authorized representative name and address)

The markings include:

- Acoustic power: **91 dB** (LWA)
- CE mark: **EU32i** Low-power generating set EN ISO 8528-13
- UKCA mark: **G1**
- Technical specifications table:

Maximum power	MAX 3.2 kW	50 Hz	G1
Rated power	COP 2.6 kW	230 V	A
Rated power factor	1.0	11.3 A	IP23M
Year of Mfg.		Mass	kg

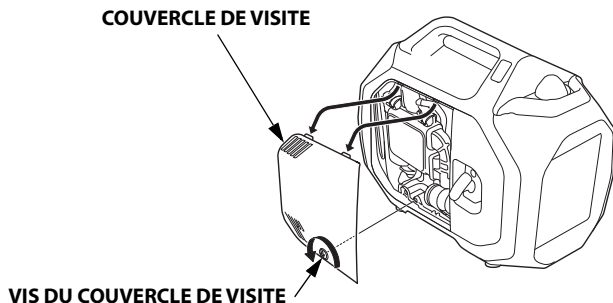
Le nom et l'adresse du fabricant, ainsi que du représentant autorisé sont indiqués dans la PRÉSENTATION DU CONTENU de la « Déclaration de conformité » du présent manuel de l'utilisateur.

CONSIGNES POUR LA PREMIÈRE UTILISATION

HUILE MOTEUR

Le groupe électrogène est expédié **SANS HUILE** dans le moteur.

1. Placez le groupe électrogène sur une surface horizontale.
2. Desserrez la vis du couvercle de visite et retirez le couvercle de visite.

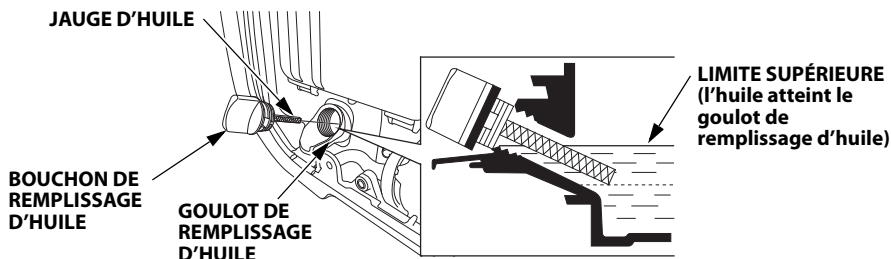


3. Une fois le groupe électrogène en position horizontale, retirez le bouchon de remplissage d'huile en le tournant dans le sens inverse des aiguilles d'une montre.
4. Ajoutez de l'huile en quantité suffisante pour que le niveau atteigne la limite supérieure du goulot de remplissage d'huile. La catégorie de service API SAE10W-30 SE ou ultérieure (ou équivalente) est préconisée pour un usage général. Pour plus de recommandations, reportez-vous à la page 17.

Contenance maximale en huile : 0,46 litre

Ne remplissez pas trop le moteur. Si le moteur est trop rempli, l'excédent d'huile risque d'être transféré dans le logement du filtre à air et dans le filtre à air.

5. Vissez bien le bouchon de remplissage d'huile.



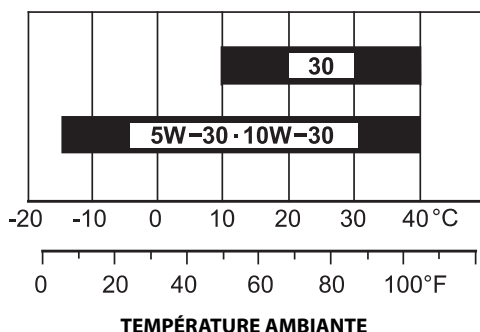
6. Réinstallez le couvercle de visite et serrez bien la vis du couvercle de visite.

CONSIGNES POUR LA PREMIÈRE UTILISATION

RECOMMANDATIONS POUR L'HUILE MOTEUR

L'huile est un facteur déterminant pour les performances et la longévité du moteur. Utilisez une huile détergente automobile 4 temps.

L'indice SAE 10W-30 est préconisé pour un usage général. Les autres viscosités indiquées dans le tableau peuvent être utilisées lorsque la température moyenne du lieu d'utilisation se trouve dans la plage recommandée. Spécifications d'huile de lubrification nécessaires pour garder un système de contrôle des émissions performant : Huile d'origine Honda.



Avant utilisation, lisez les instructions figurant sur le bidon d'huile.

La viscosité d'huile SAE et la catégorie de service API sont indiquées sur l'étiquette API du bidon d'huile. Honda recommande l'utilisation d'une huile de catégorie de service API SE ou ultérieure (ou une huile équivalente).

CONSIGNES POUR LA PREMIÈRE UTILISATION

CARBURANT

Ajoutez du carburant au groupe électrogène dans un endroit bien aéré. Faites uniquement le plein de carburant à l'extérieur. Gardez l'essence loin des appareils tels que les veilleuses des appareils, les barbecues, les appareils électriques, les outils électriques, etc. Le carburant renversé ne fait pas seulement courir des risques d'incendie, il est également nuisible pour l'environnement. Faites le plein avec précaution pour éviter de renverser du carburant. Essuyez immédiatement tout déversement. Ne remplissez pas le réservoir de carburant au-dessus du repère de niveau supérieur (rouge) sur le filtre à carburant. Après avoir fait le plein, réinstallez bien le bouchon du réservoir de carburant.

Dans la mesure adaptée, arrêtez le moteur et vérifiez la jauge pour le niveau de carburant. Si le niveau de carburant est bas, laissez le groupe électrogène refroidir et remplissez le réservoir de carburant.

Ce moteur est certifié pour fonctionner avec de l'essence sans plomb ayant un indice d'octane Recherche d'au moins 89. Reportez-vous à la section "RECOMMANDATIONS POUR LE CARBURANT" (à la page 20) pour plus de recommandations concernant le carburant.

AVERTISSEMENT

L'essence est hautement inflammable et explosive.

La manipulation du carburant fait courir des risques de brûlures et de blessures graves.

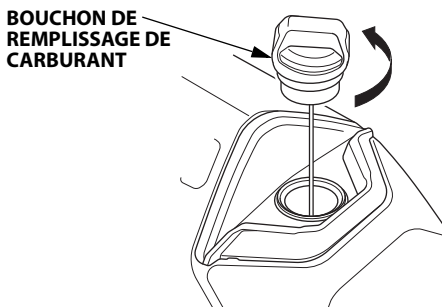
- Arrêtez le moteur et laissez-le refroidir avant de manipuler le carburant.
- Gardez le carburant éloigné de la chaleur, des étincelles et des flammes.
- Manipulez le carburant uniquement à l'extérieur.
- Tenez le carburant éloigné de votre véhicule.
- Essuyez immédiatement tout déversement.

REMARQUE

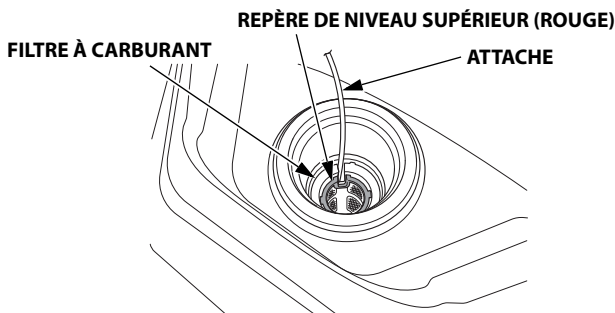
Le carburant peut endommager la peinture et le plastique. Veillez à ne pas renverser de carburant lorsque vous remplissez le réservoir. Les dommages causés par du carburant renversé ne sont pas couverts par la garantie.

CONSIGNES POUR LA PREMIÈRE UTILISATION

1. Retirez le bouchon de remplissage de carburant.



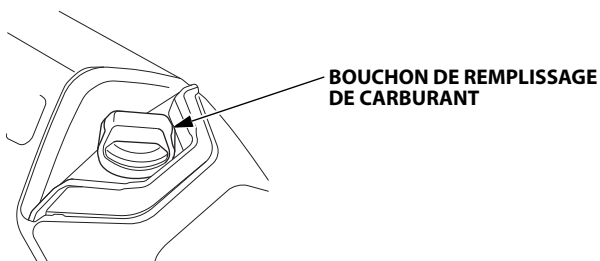
2. Faites le plein avec précaution pour éviter de renverser du carburant. Ne remplissez pas le réservoir de carburant au-dessus du repère de niveau supérieur (rouge) sur le filtre à carburant.



REMARQUE

Le carburant peut endommager la peinture et le plastique. Veillez à ne pas renverser de carburant lorsque vous remplissez le réservoir. Les dommages causés par du carburant renversé ne sont pas couverts par la garantie.

3. Après avoir fait le plein de carburant, serrez le bouchon de remplissage de carburant jusqu'à ce qu'un déclic soit émis.



Placez le groupe électrogène à au moins trois mètres de la source et du site d'approvisionnement en carburant avant de démarrer le moteur.

CONSIGNES POUR LA PREMIÈRE UTILISATION

RECOMMANDATIONS POUR LE CARBURANT

Ce moteur est certifié pour fonctionner avec de l'essence sans plomb ayant un indice d'octane Recherche d'au moins 89.

Spécification(s) de carburant nécessaires pour garder un système de contrôle des émissions performant : Carburant E10 référencé dans la réglementation UE.

Utilisez uniquement de l'essence sans plomb, sans quoi le catalyseur risque de perdre son efficacité, ce qui aurait un effet négatif sur les émissions de l'échappement.

N'utilisez jamais de l'essence viciée ou contaminée ou un mélange d'huile/essence. Évitez toute pénétration de saleté ou d'eau dans le réservoir de carburant.

Vous pouvez utiliser une essence sans plomb classique ne contenant pas plus de 10 % d'éthanol (E10) ou 5 % de méthanol en volume. Le méthanol doit contenir des cosolvants et des inhibiteurs de corrosion.

L'utilisation de carburants ayant une teneur en éthanol ou méthanol supérieure à celle indiquée ci-dessus peut occasionner des problèmes de démarrage et/ou de performances. Cela peut également endommager les pièces en métal, en caoutchouc et en plastique du système d'alimentation en carburant.

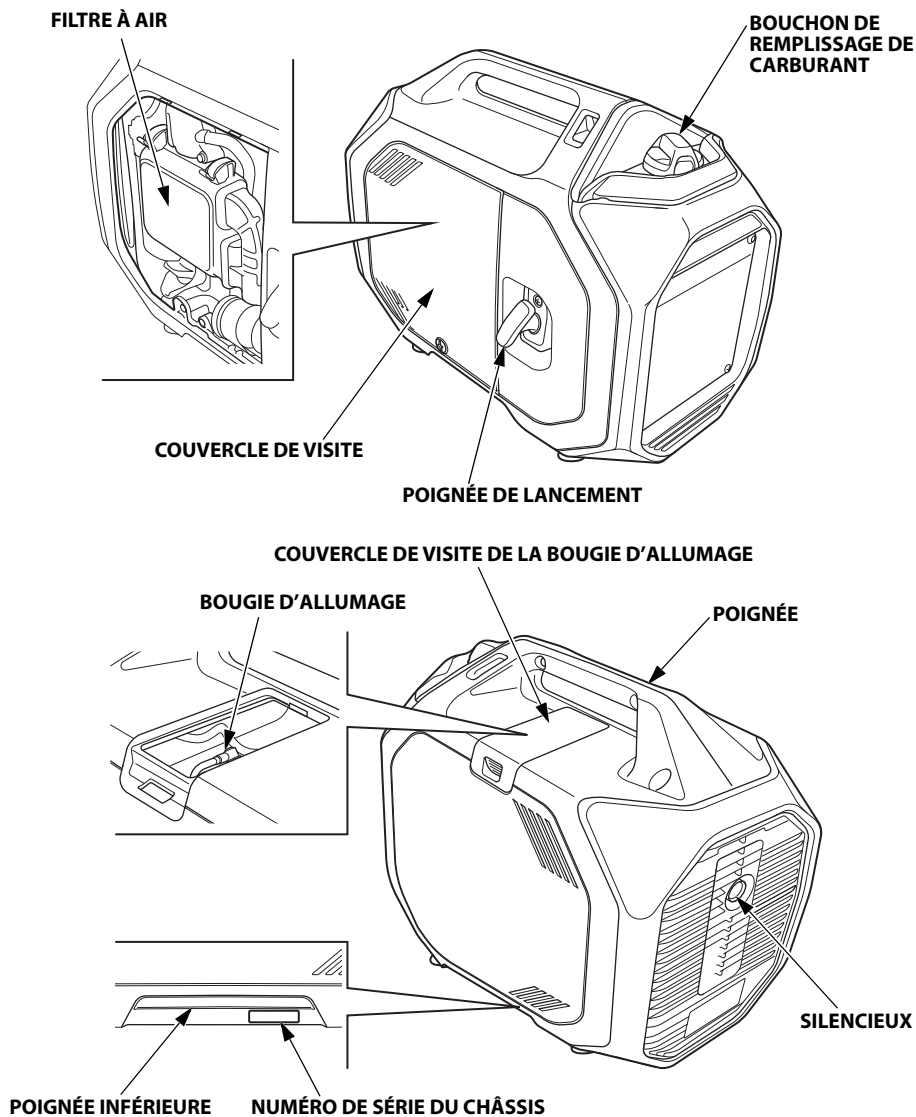
Les dommages au moteur ou problèmes de performances résultant de l'utilisation d'un carburant avec des pourcentages d'éthanol ou de méthanol supérieurs à ceux qui sont indiqués ci-dessus ou d'une essence au plomb ne sont pas couverts par la garantie.

Si votre équipement ne sera utilisé que de manière occasionnelle, reportez-vous à la section consacrée au carburant du chapitre "STOCKAGE" (à la page 62), qui fournit des informations complémentaires sur la dégradation du carburant.

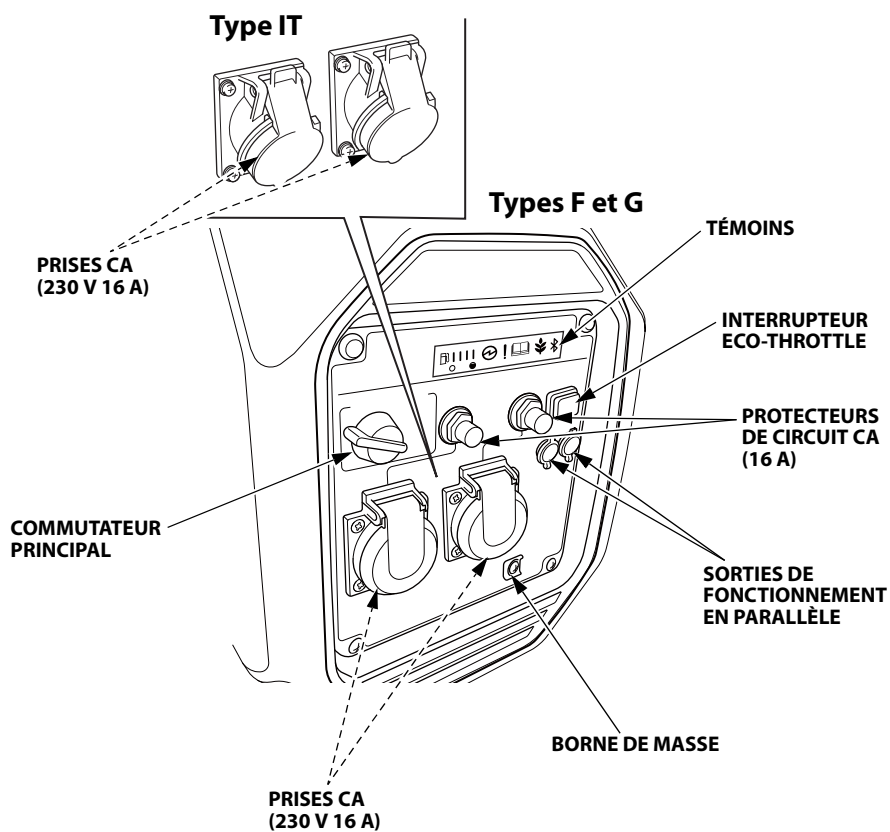
COMMANDES ET FONCTIONS

EMPLACEMENT DES COMPOSANTS ET COMMANDES

Utilisez les illustrations de ces pages pour localiser et identifier les commandes les plus fréquemment utilisées.



COMMANDES ET FONCTIONS



COMMANDES

Commutateur principal

Le commutateur principal commande le système d'allumage.

ARRÊT – permet d'arrêter le moteur.

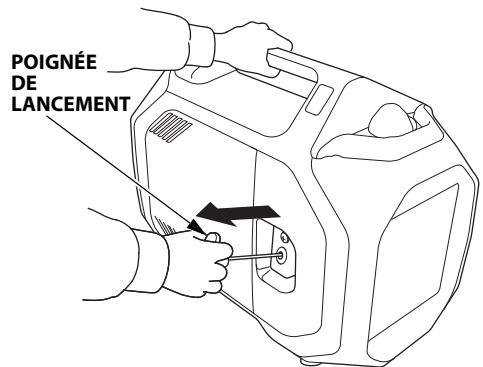
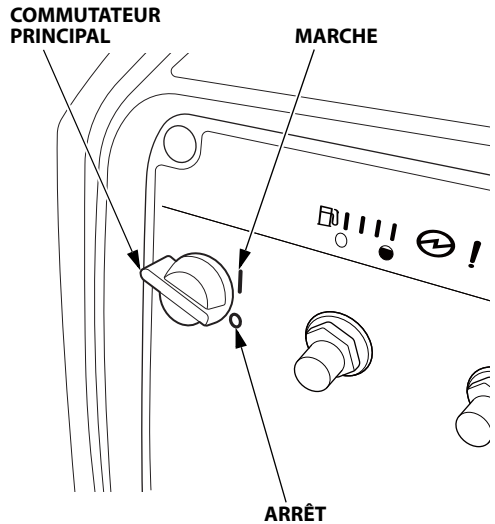
MARCHE – position de fonctionnement et de démarrage avec le lanceur à rappel.

Poignée de lancement

Une traction sur la poignée de lancement actionne le lanceur à rappel, ce qui permet de démarrer le moteur.

REMARQUE

Ne laissez pas la poignée de lancement revenir brusquement contre le moteur. Accompagnez doucement son mouvement de retour pour ne pas endommager le démarreur.



COMMANDES ET FONCTIONS

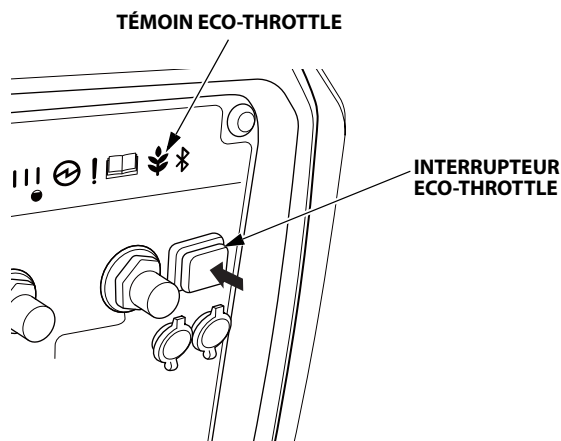
Interrupteur Eco-Throttle

Le système Eco-Throttle diminue automatiquement le régime moteur lorsque tous les consommateurs sont mis hors tension ou débranchés. Lorsque les appareils sont remis sous tension ou rebranchés, le moteur revient au régime nominal pour alimenter la charge électrique.

Le système s'allume et s'éteint à chaque fois que vous appuyez sur l'interrupteur Eco-Throttle.

Si des charges électriques élevées sont branchées simultanément, placez l'interrupteur Eco-Throttle sur ARRÊT pour réduire les variations de tension.

Interrupteur Eco-Throttle sur MARCHÉ	Témoins (verts) allumés <ul style="list-style-type: none">• Recommandé pour réduire la consommation de carburant au minimum et diminuer encore le niveau sonore lorsque le groupe électrogène n'est pas sollicité à pleine charge.
Interrupteur Eco-Throttle sur ARRÊT	Témoins éteints <ul style="list-style-type: none">• Le système Eco-Throttle ne fonctionne pas.



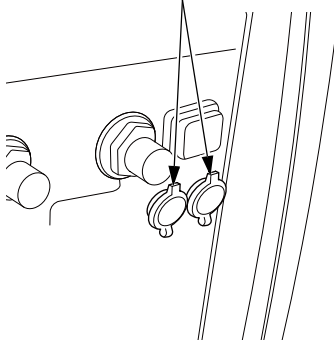
RÉINITIALISATION EN CAS DE SURCHARGE :

Si le groupe électrogène s'arrête en raison d'une surcharge et que le témoin d'alarme de surcharge clignote, il est possible de réinitialiser le fonctionnement. Une fois la cause de la surcharge supprimée, il est possible de redémarrer le groupe électrogène en appuyant sans relâcher sur l'interrupteur Eco-Throttle (pendant plus de trois secondes).

Sorties de fonctionnement en parallèle

Ces sorties permettent de raccorder deux groupes électrogènes EU32i pour un fonctionnement en parallèle (reportez-vous aux pages 47 à 49). Un câble de fonctionnement en parallèle agréé par Honda (équipement en option) est nécessaire pour le fonctionnement en parallèle. Ce câble est disponible auprès de votre centre de réparations.

SORTIES DE FONCTIONNEMENT EN PARALLÈLE



Protecteur de circuit CA

Les protecteurs de circuit CA coupent le circuit automatiquement en cas de court-circuit ou d'une surcharge importante du groupe électrogène à chaque prise. Si un protecteur de circuit CA se déclenche automatiquement, vérifiez que l'appareil fonctionne correctement et ne dépasse pas la capacité de charge nominale du circuit avant d'enclencher de nouveau le protecteur de circuit CA.

Types F et G

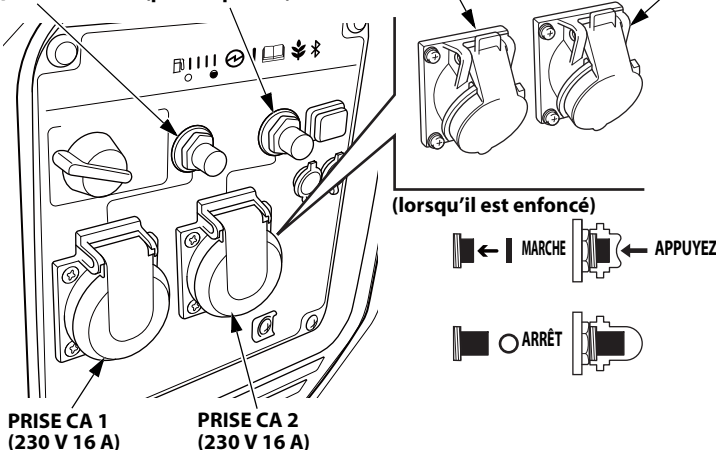
PROTECTEUR DE
CIRCUIT CA (16 A)
(pour la prise 1)

PROTECTEUR DE
CIRCUIT CA (16 A)
(pour la prise 2)

Type IT

PRISE CA 1
(230 V 16 A)

PRISE CA 2
(230 V 16 A)



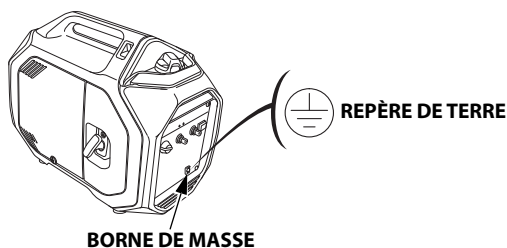
COMMANDES ET FONCTIONS

FONCTIONS

Borne de masse

La borne de masse est connectée au châssis du groupe électrogène, aux pièces métalliques non porteuses de courant du groupe et aux bornes de masse de chaque prise.

Avant d'utiliser la borne de masse, consultez un électricien qualifié, un contrôleur d'installations électriques ou une agence locale habilitée afin de connaître les codes ou règlements locaux applicables à l'utilisation prévue du groupe électrogène.



Le groupe électrogène produit une puissance électrique suffisamment importante pour provoquer une décharge électrique ou une électrocution s'il est mal utilisé.

Si l'appareil branché est relié à la terre, mettez également le groupe électrogène à la terre.

Pour la mise à la masse de la borne du groupe électrogène, utilisez un fil en cuivre d'un diamètre égal ou supérieur au cordon de l'appareil branché.

Utilisez une rallonge avec fil de terre lors du branchement d'un appareil avec fil de terre.

Pour identifier la broche de terre dans la fiche, reportez-vous à la section Prise à la page 76.

Jauge de carburant

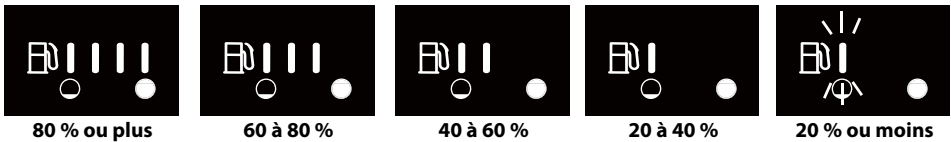
La jauge de carburant est un dispositif mécanique qui mesure le niveau de carburant dans le réservoir.

Pour une plus grande autonomie de fonctionnement, remplissez le réservoir de carburant avant utilisation. Vérifiez le niveau de carburant avec le groupe électrogène sur une surface horizontale. Faites toujours le plein lorsque le moteur est arrêté et froid.



JAUGE DE CARBURANT

La jauge indique le niveau de carburant du groupe électrogène de la manière suivante :



Témoin de sortie

Le témoin de sortie (vert) est allumé lorsque le groupe électrogène fonctionne normalement. Il indique que le groupe électrogène fournit du courant électrique aux prises.

Le témoin de sortie possède également une fonction de compteur d'heures simplifiée. Lorsque le moteur est mis en marche, le clignotement du témoin indique le nombre total d'heures d'utilisation du groupe électrogène de la manière suivante :

- Pas de clignotement : 0 à 100 heures
- Un clignotement : 100 à 200 heures
- Deux clignotements : 200 à 300 heures
- Trois clignotements : 300 à 400 heures
- Quatre clignotements : 400 à 500 heures
- Cinq clignotements : 500 heures ou plus



TÉMOIN DE SORTIE (VERT)

COMMANDES ET FONCTIONS

Alarme de surcharge (témoin)

Le témoin d'alarme de surcharge (rouge) s'allume en cas de surcharge du groupe électrogène (charge supérieure à 3,2 kVA) ou de court-circuit dans un appareil branché. Le témoin d'alarme de surcharge (rouge) reste allumé et après dix secondes environ en cas de surcharge ou cinq secondes environ en cas de court-circuit, le courant vers le ou les appareils branchés est coupé et le témoin de sortie (vert) s'éteint. Le moteur continue cependant à fonctionner. Si le témoin d'alarme de surcharge (rouge) clignote en continu, appuyez sans relâcher sur l'interrupteur Eco-Throttle pour le réinitialiser (reportez-vous à la page 24).

TÉMOIN D'ALARME DE SURCHARGE
(ROUGE)



Témoin d'alerte/de vérification d'huile

Le système d'alerte d'huile protège le moteur contre les dommages dus au manque d'huile dans le carter moteur. Avant que le niveau d'huile dans le carter moteur ne descende sous le seuil de sécurité ou en cas de surchauffe du moteur, le témoin d'alerte/de vérification d'huile (rouge) s'allume et le système d'alerte d'huile arrête automatiquement le moteur (le commutateur principal reste en position MARCHE).

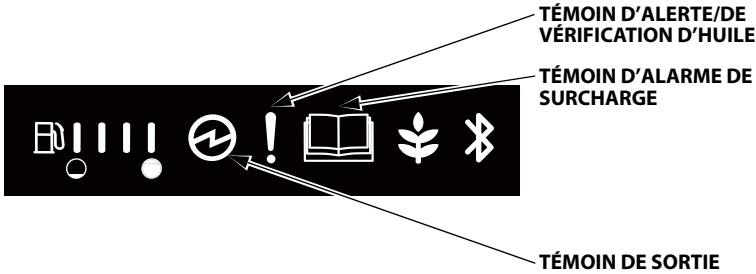
Si le moteur s'arrête ou si le témoin d'alerte/de vérification d'huile (rouge) s'allume lorsque vous tirez la poignée de lancement, vérifiez le niveau d'huile moteur (reportez-vous à la page 36) avant de rechercher l'origine du problème ailleurs. Veillez également à installer le groupe électrogène sur une surface horizontale. Le moteur pourra s'arrêter en raison de l'activation du système d'alerte d'huile même si le niveau d'huile du moteur est normal lorsque le générateur est incliné.

Si le témoin d'alerte/de vérification d'huile (rouge) clignote en continu, cela indique une anomalie de fonctionnement, vous devez alors contacter votre centre de réparations.

TÉMOIN D'ALERTE/DE VÉRIFICATION D'HUILE
(ROUGE)



Schémas de l'éclairage LED



État	Cause possible	Témoin de sortie	Témoin d'alerte/de vérification d'huile	Témoin d'alarme de surcharge
Normal	Fonctionnement normal	○	●	●
Anomalie de fonctionnement	Panne du convertisseur, etc.	○/●/☼	☼	●
Anormal	Surtension de sortie	●	●	○/☼
	Surchauffe du convertisseur	●	●	○
Avertissement	<ul style="list-style-type: none"> • Huile moteur basse • Détection de l'inclinaison • Surchauffe du moteur 	●	○	●

○: Allumé

●: Éteint

☼: Clignotant

Reportez-vous à la section "EN CAS DE PROBLÈME INATTENDU" à la page 69 pour le diagnostic des pannes.

COMMANDES ET FONCTIONS

Fonction *Bluetooth*[®]

Le groupe électrogène est raccordé à un smartphone via une connexion *Bluetooth*[®].

- Il est possible d'augmenter la portée entre le smartphone *Bluetooth*[®] et le groupe électrogène en plaçant les appareils sur une ligne directe et dégagée, sans obstacles. La distance de connexion est également affectée par le type de smartphone utilisé et l'environnement, les structures et les interférences électroniques qui l'entourent.

Application pour smartphone

L'application pour smartphone « My Generator » Honda est uniquement destinée aux groupes électrogènes Honda équipés de la technologie *Bluetooth*[®]. L'application peut exécuter les fonctions pratiques suivantes :

- Arrêt à distance :

Il est possible d'arrêter le moteur du groupe électrogène à distance.

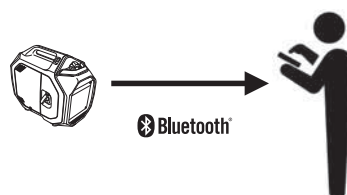
- Il est possible de modifier le système Eco-Throttle à distance.

- Surveillance à distance :

Il est possible d'afficher la puissance fournie, le niveau de carburant restant, etc.

- Recevez des notifications :

Vous pouvez recevoir les alertes d'erreur et de maintenance.



Téléchargement de l'application

Rendez-vous dans l'App Store (iOS) ou dans Google Play (Android) et recherchez l'application « My Generator » Honda pour la télécharger.

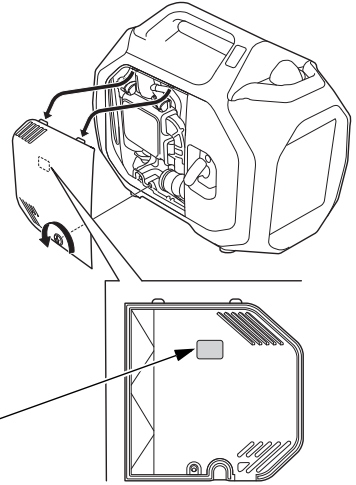
Association (pour la première connexion uniquement)

Reportez-vous à l'assistance de l'application pour smartphone « My Generator » Honda pour associer le smartphone et le groupe électrogène.

- Procédez à l'association dans les 30 secondes qui suivent le démarrage du moteur.



TÉMOIN BLUETOOTH



MOT DE PASSE BLUETOOTH

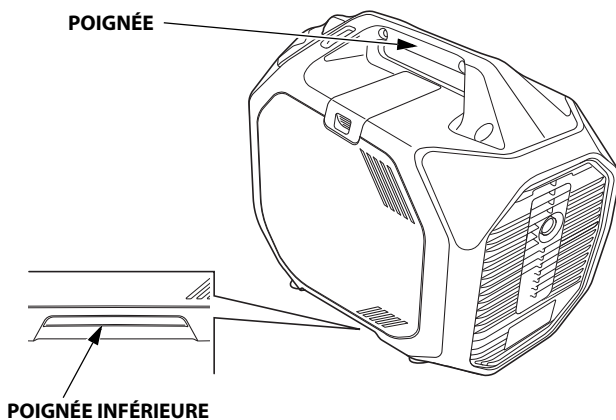
Le témoin indique la connexion *Bluetooth*® de la manière suivante :

- Éteint : Non connecté
- Clignotement rapide : Anomalie de fonctionnement
- Clignotement lent : Association possible
- Allumé : Connecté

COMMANDES ET FONCTIONS

Poignée et poignée inférieure

Soulevez le groupe électrogène en saisissant la poignée d'une main.
Vous pouvez également utiliser la poignée inférieure de l'autre main.



AVANT UTILISATION

ÊTES-VOUS PRÊT À DÉMARRER ?

Votre sécurité est votre responsabilité. Quelques moments consacrés à la préparation permettent de réduire considérablement les risques de blessures.

Acquisition des connaissances

Lisez et assimilez le présent manuel. Apprenez la fonction des commandes et comment les utiliser.

Familiarisez-vous avec le groupe électrogène et son fonctionnement avant de commencer à l'utiliser. Apprenez à arrêter rapidement le groupe électrogène en cas d'urgence.

Si le groupe électrogène est utilisé pour alimenter des appareils électriques, veillez à ce que ceux-ci ne dépassent pas la capacité de charge nominale du groupe électrogène (reportez-vous aux pages 46 et 49).

LE GROUPE ÉLECTROGÈNE EST-IL PRÊT À FONCTIONNER ?

Pour la sécurité, pour le respect des réglementations environnementales et pour l'optimisation de la longévité de l'équipement, il est très important de consacrer quelques instants à vérifier l'état du groupe électrogène avant de l'utiliser. Corrigez tout problème constaté ou confiez cette opération au centre de réparations avant d'utiliser le groupe électrogène.

AVERTISSEMENT

Si ce groupe électrogène n'est pas correctement entretenu ou si un problème n'est pas résolu avant utilisation, une anomalie de fonctionnement majeure peut en découler.

Certaines anomalies de fonctionnement peuvent entraîner des blessures graves, voire la mort.

Effectuez toujours les contrôles recommandés avant chaque utilisation et corrigez tout problème.

AVANT UTILISATION

Pour ne pas risquer un incendie, maintenez le groupe électrogène à au moins un mètre des murs des bâtiments, des véhicules et autres équipements pendant l'utilisation. Ne placez pas d'objets inflammables à proximité du moteur ou du système d'échappement.

Avant de commencer les contrôles avant utilisation, assurez-vous que le groupe électrogène est sur une surface ferme et horizontale et que le commutateur principal se trouve sur la position ARRÊT.

Vérification du moteur

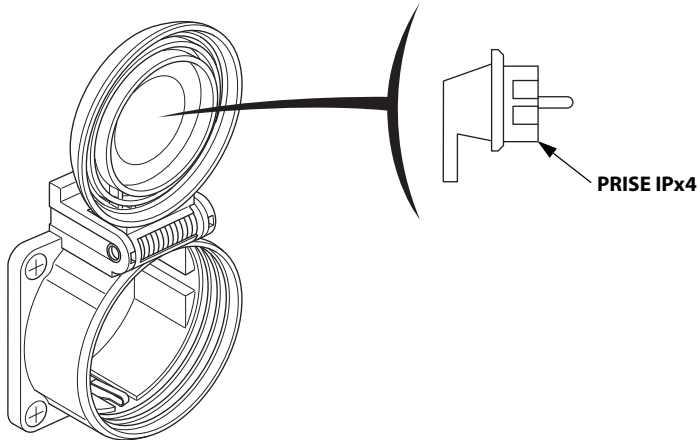
- Avant chaque utilisation, regardez autour du moteur et au-dessous afin de détecter tout signe de fuite d'huile ou d'essence.
- Vérifiez le niveau d'huile moteur (reportez-vous à la page 36). Si le niveau d'huile moteur est insuffisant, le système d'alerte d'huile arrête le moteur.
- Vérifiez les filtres à air (reportez-vous à la page 37). Des filtres à air encrassés vont restreindre le passage d'air vers le système d'alimentation en carburant, ce qui diminuera les performances du moteur et du groupe électrogène.
- Vérifiez le niveau de carburant (reportez-vous à la page 18). En démarrant avec un réservoir de carburant plein, vous évitez ou réduisez les interruptions d'utilisation pour faire le plein.

Appareil ou cordon d'alimentation CA

Avant de raccorder un appareil ou un cordon d'alimentation CA au groupe électrogène :

- Utilisez des cordons prolongateurs, outils et appareils à trois fiches ou des outils et appareils à double isolation.
- Contrôlez les cordons et fiches et remplacez-les s'ils sont endommagés.
- Assurez-vous que l'appareil est en bon état de fonctionnement. Des appareils ou cordons d'alimentation défectueux font courir un risque de décharge électrique.
- Assurez-vous que les caractéristiques électriques nominales de l'outil ou de l'appareil ne dépassent pas la puissance nominale du groupe électrogène ou de la prise utilisée.
- Ne dépassez pas la limite d'intensité spécifiée pour chaque prise.

- Lorsqu'il est nécessaire d'ajouter une rallonge, utilisez un câble à gaine caoutchouc flexible et robuste (CEI 245 ou équivalent).
Lors de l'utilisation d'une rallonge, la valeur de résistance ne doit pas dépasser $1,5 \Omega$.
- Longueur limite des rallonges : 60 mètres pour les câbles de $1,5 \text{ mm}^2$ et 100 mètres pour les câbles de $2,5 \text{ mm}^2$. Des rallonges trop longues réduisent la puissance utilisable car leur résistance est plus grande.
- Maintenez le groupe électrogène à distance des autres câbles ou fils électriques, tels que les câbles d'alimentation du réseau d'électricité.
- Type G
AVERTISSEMENT : Pour raccorder une prise à l'équerre, veillez à bien utiliser une prise IPx4.

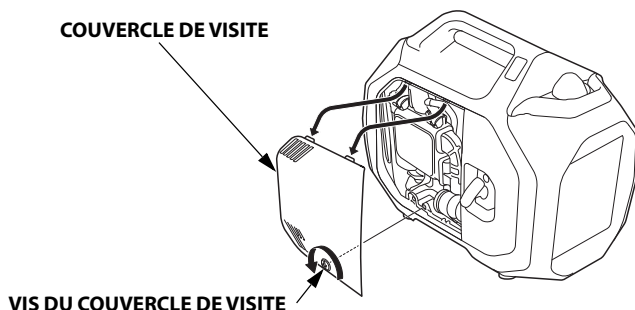


AVANT UTILISATION

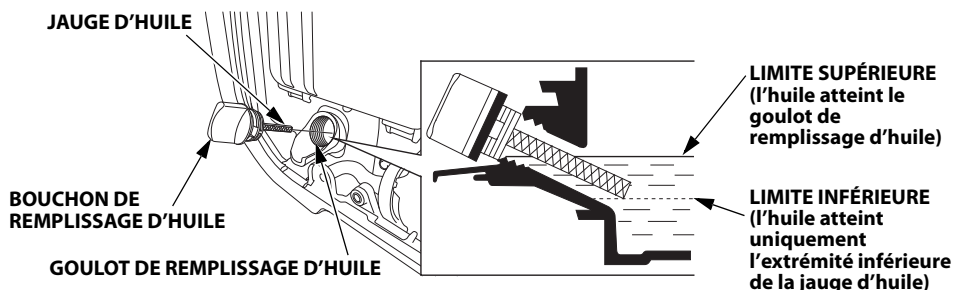
VÉRIFICATION DU NIVEAU D'HUILE MOTEUR

Vérifiez le niveau d'huile moteur en plaçant le groupe électrogène sur une surface horizontale et après avoir arrêté le moteur.

1. Desserrez la vis du couvercle de visite et retirez le couvercle de visite.



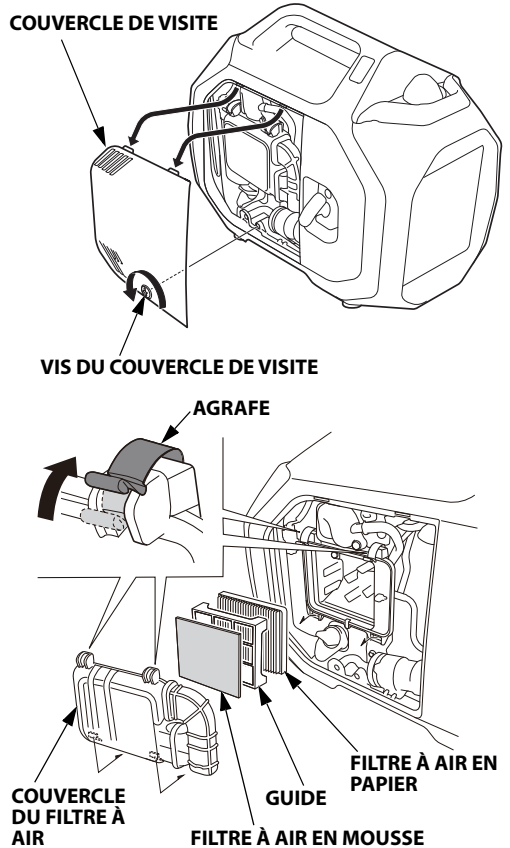
2. Retirez le bouchon de remplissage d'huile en le tournant dans le sens des aiguilles d'une montre. Essayez la jauge d'huile.
3. Insérez la jauge d'huile dans le goulot de remplissage d'huile comme indiqué (sans la visser), puis retirez-la pour vérifier le niveau d'huile.
4. Si le niveau d'huile est proche de ou inférieur à la limite inférieure, ajoutez de l'huile recommandée jusqu'à la limite supérieure. Ne remplissez pas trop le système.
 - « Limite supérieure » : l'huile atteint le goulot de remplissage d'huile.
 - « Limite inférieure » : l'huile atteint uniquement l'extrémité inférieure de la jauge d'huile.Reportez-vous à la section "RECOMMANDATIONS POUR L'HUILE MOTEUR" à la page 17.
5. Réinstallez bien le bouchon de remplissage d'huile.
6. Réinstallez le couvercle de visite et serrez bien la vis du couvercle de visite.



Le système d'alerte d'huile arrête automatiquement le moteur avant que le niveau d'huile ne soit inférieur au seuil de sécurité. Toutefois, pour éviter l'inconvénient d'un arrêt imprévu, vérifiez régulièrement le niveau d'huile.

VÉRIFICATION DU FILTRE À AIR

1. Desserrez la vis du couvercle de visite et retirez le couvercle de visite.
2. Défaites les agrafes du couvercle du filtre à air et retirez le couvercle du filtre à air.
3. Retirez le filtre à air en mousse du couvercle du filtre à air.



4. Assurez-vous que le filtre à air en mousse est propre et en bon état. Si le filtre à air en mousse est sale, nettoyez-le comme indiqué à la page 57. Remplacez le filtre à air en mousse s'il est endommagé.
5. Réinstallez le filtre à air en mousse dans le couvercle du filtre à air.
6. Retirez le filtre en papier du guide.
7. Si le filtre à air en papier est sale, remplacez-le par un neuf. Ne nettoyez pas le filtre à air en papier.

AVANT UTILISATION

8. Réinstallez le filtre à air en papier, le guide et le couvercle du filtre à air.
9. Réinstallez le couvercle de visite et serrez bien la vis du couvercle de visite.

REMARQUE

Faire fonctionner le moteur sans filtre à air ou avec un filtre à air endommagé risque d'encrasser le moteur et de provoquer l'usure rapide de ce dernier. Ce type de dommages n'est pas couvert par la garantie.

CONSIGNES DE SÉCURITÉ D'UTILISATION

Avant d'utiliser le groupe électrogène, consultez le chapitre "SÉCURITÉ DU GROUPE ÉLECTROGÈNE" (reportez-vous à la page 6).

Par sécurité, ne faites pas fonctionner le groupe électrogène dans un endroit clos ou partiellement clos, tel qu'un garage (même si la porte est ouverte), ou à proximité de structures ou de véhicules. Les gaz d'échappement du groupe électrogène contiennent du monoxyde de carbone, un gaz toxique qui peut s'accumuler rapidement dans de tels endroits et dans les structures, véhicules, remorques ou bateaux.

- N'utilisez pas le groupe électrogène lorsqu'il se trouve dans une enceinte de stockage, de chargement ou de sécurité, y compris les baies de groupes électrogènes des véhicules de plaisance.
- Retirez toujours le groupe électrogène du véhicule, de la remorque, du bateau et des autres équipements ou structures lors de l'utilisation.
- Le groupe électrogène doit rester immobile lors de l'utilisation.

AVERTISSEMENT

Les gaz d'échappement contiennent du monoxyde de carbone, un gaz toxique qui peut s'accumuler à des niveaux dangereux dans des endroits clos ou partiellement clos.

L'inhalation de monoxyde de carbone peut provoquer des évanouissements ou la mort.

Ne faites jamais tourner le moteur du produit dans un endroit clos, même partiellement.

UTILISATION

DÉMARRAGE DU MOTEUR

Pour ne pas risquer un incendie, maintenez le groupe électrogène à au moins un mètre des murs des bâtiments ou des parois des remorques, des véhicules, des remorques, des bateaux et autres équipements pendant l'utilisation. Ne placez pas d'objets inflammables à proximité du moteur ou du système d'échappement.

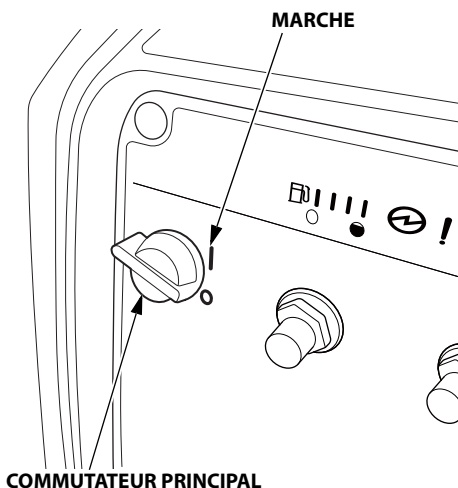
REMARQUE

- *L'utilisation du groupe électrogène à moins d'un mètre d'un bâtiment ou d'un obstacle ou dans une enceinte ou un compartiment/une baie de stockage ou de sécurité peut entraîner la surchauffe et des dommages au niveau du groupe électrogène.*
- *Pour assurer un bon refroidissement, laissez au moins un mètre d'espace vide au-dessus et autour du groupe électrogène. Laissez tous les orifices de refroidissement ouverts et débarrassez-les des débris, traces de boue et d'eau, etc. Les orifices de refroidissement se trouvent sur le panneau latéral, sur le panneau de commande et au bas du groupe électrogène. Si les orifices de refroidissement sont obstrués, le groupe électrogène peut surchauffer et endommager le moteur, l'onduleur ou les enroulements.*

Reportez-vous à la section "CONSIGNES DE SÉCURITÉ D'UTILISATION" à la page 39 et procédez aux vérifications de la rubrique "LE GROUPE ÉLECTROGÈNE EST-IL PRÊT À FONCTIONNER ?" (reportez-vous à la page 33).

Reportez-vous à la section "UTILISATION DU COURANT ALTERNATIF" (à la page 44) pour le raccordement de charges au groupe électrogène.

1. Assurez-vous qu'aucun appareil n'est branché sur les prises CA.
2. Placez le commutateur principal sur la position MARCHÉ.

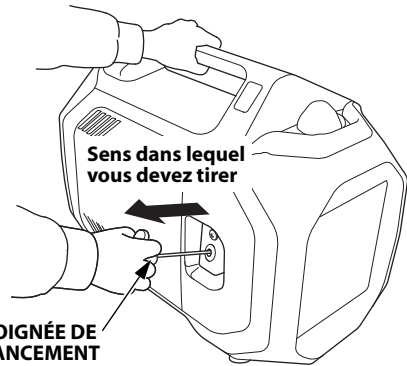


3. Tirez doucement la poignée de lancement jusqu'à ce que vous ressentiez une résistance, puis tirez-la d'un coup sec dans le sens de la flèche, comme indiqué.

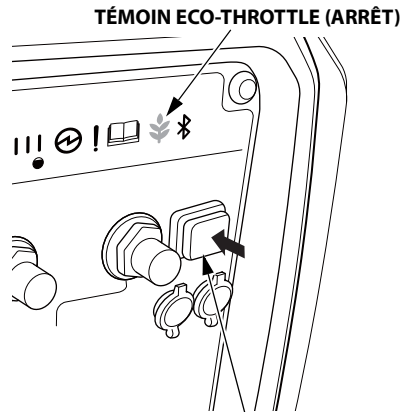
REMARQUE

Ne laissez pas la poignée de lancement revenir brusquement contre le moteur. Accompagnez doucement son mouvement de retour pour ne pas endommager le démarreur.

4. Si vous ne souhaitez pas utiliser le système Eco-Throttle, placez l'interrupteur Eco-Throttle sur ARRÊT.



POIGNÉE DE LANCEMENT



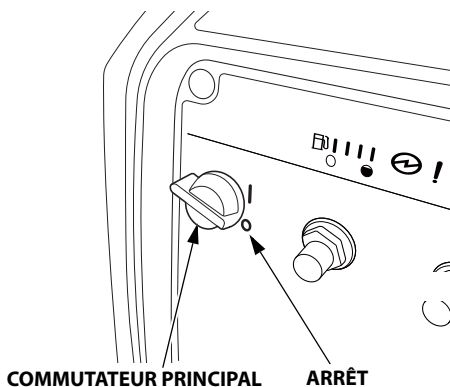
INTERRUPTEUR ECO-THROTTLE

UTILISATION

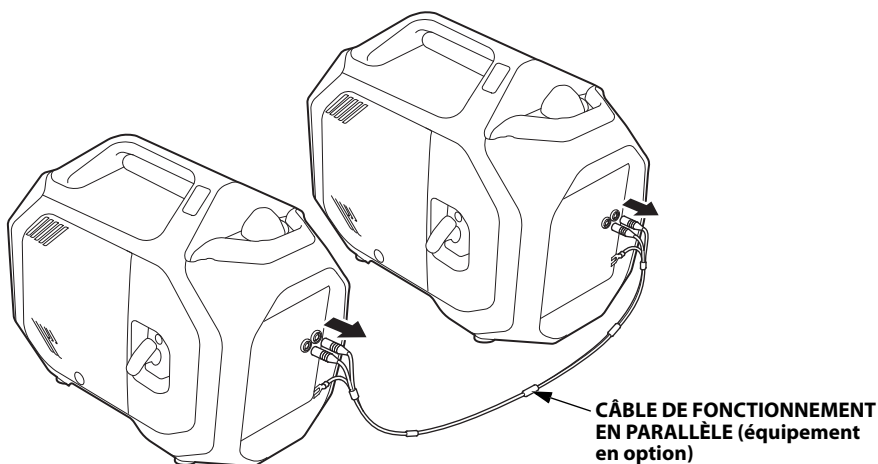
ARRÊT DU MOTEUR

Pour arrêter le moteur en cas d'urgence, il vous suffit de placer le commutateur principal sur ARRÊT. Dans des conditions normales, procédez comme indiqué ci-dessous.

1. Mettez hors tension ou débranchez tous les appareils qui sont raccordés au groupe électrogène.
2. Placez le commutateur principal sur ARRÊT.



3. Si deux groupes électrogènes ont été raccordés pour le fonctionnement en parallèle, débranchez le câble de fonctionnement en parallèle après avoir arrêté les moteurs (si vous ne souhaitez pas reprendre le fonctionnement en parallèle).



Si le groupe électrogène n'est pas utilisé pendant longtemps, reportez-vous à la section "VIDANGE DU RÉSERVOIR DE CARBURANT" à la page 64.

ARRÊT DU MOTEUR AVEC UN SMARTPHONE *Bluetooth*[®]

Il est possible d'arrêter le moteur à l'aide d'un smartphone *Bluetooth*[®] équipé d'une application *Bluetooth*[®].

Reportez-vous à l'application *Bluetooth*[®] pour vérifier la connexion et le fonctionnement et pour obtenir de l'aide lors de l'association d'un smartphone.

UTILISATION

UTILISATION DU COURANT ALTERNATIF

Si un appareil se met à fonctionner anormalement, fonctionne paresseusement ou s'arrête brusquement, éteignez-le immédiatement. Débranchez l'appareil et localisez le problème au niveau de l'appareil ou déterminez si la capacité de charge nominale du groupe électrogène n'a pas été dépassée.

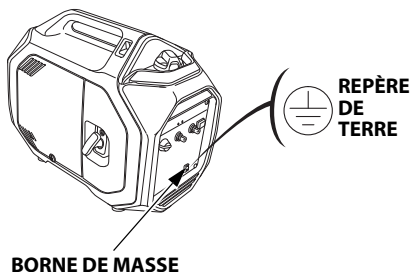
REMARQUE

- Une surcharge importante qui fait continuellement s'allumer le témoin d'alarme de surcharge (rouge) peut endommager le groupe électrogène. Une surcharge mineure qui fait temporairement s'allumer le témoin d'alarme de surcharge (rouge) peut réduire la longévité du groupe électrogène.
- Assurez-vous que tous les appareils sont en bon état de fonctionnement avant de les brancher au groupe électrogène. Le matériel électrique (y compris les connexions des câbles et fiches) ne doit pas être défectueux. Si un appareil se met à fonctionner anormalement, fonctionne paresseusement ou s'arrête brusquement, placez immédiatement le commutateur principal du groupe électrogène sur ARRÊT. Débranchez ensuite l'appareil et assurez-vous qu'il ne présente pas de signes d'anomalie.

Le groupe électrogène produit une puissance électrique suffisamment importante pour provoquer une décharge électrique ou une électrocution s'il est mal utilisé.

Si l'appareil branché est relié à la terre, mettez également le groupe électrogène à la terre.

Pour la mise à la masse de la borne du groupe électrogène, utilisez un fil en cuivre d'un diamètre égal ou supérieur au cordon de l'appareil branché.

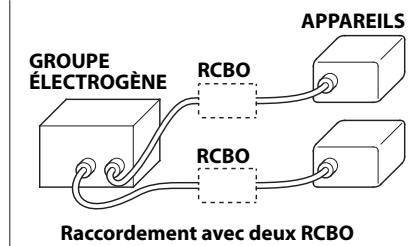
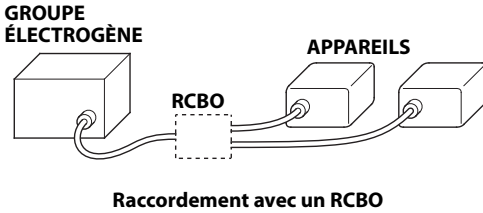


Utilisez une rallonge avec fil de terre lors du branchement d'un appareil avec fil de terre.

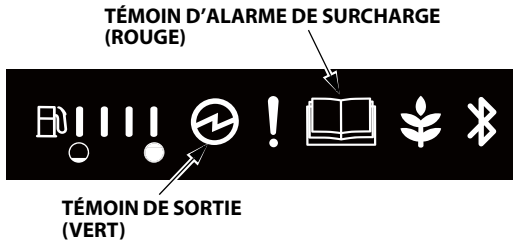
Pour identifier la broche de terre dans la fiche, reportez-vous à la section Prise à la page 76.

Raccordez un RCBO (coupe-circuit différentiel résiduel avec protection contre les surintensités) de 30 mA de détection de fuite à la terre et avec coupure en moins de 0,4 seconde à plus de 30 A de courant de sortie si vous utilisez deux appareils ou plus.

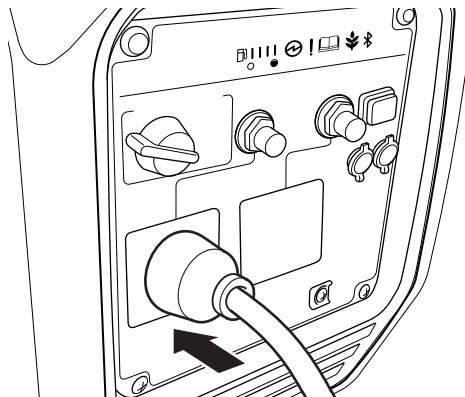
Suivez les instructions fournies par chaque fabricant de RCBO avant utilisation.



1. Démarrez le moteur (reportez-vous à la page 40) et assurez-vous que le témoin de sortie (vert) s'allume.



2. Branchez l'appareil.



UTILISATION

3. Allumez l'appareil.

Le témoin d'alarme de surcharge (rouge) s'allume en cas de surcharge du groupe électrogène (reportez-vous à la page 46) ou de court-circuit dans un appareil branché. Le témoin d'alarme de surcharge (rouge) reste allumé et après dix secondes environ en cas de surcharge ou cinq secondes environ en cas de court-circuit courant vers le ou les appareils branchés est coupé et le témoin de sortie (vert) s'éteint. Arrêtez le moteur et recherchez l'origine du problème.

Déterminez si la cause est un court-circuit dans un appareil branché ou une surcharge. Corrigez le problème et redémarrez le groupe électrogène.

Applications CA

Avant de raccorder un appareil ou un cordon d'alimentation au groupe électrogène :

- Assurez-vous qu'il est en bon état de fonctionnement. Des appareils ou cordons d'alimentation défectueux font courir un risque de décharge électrique.
- Si un appareil se met à fonctionner anormalement, fonctionne paresseusement ou s'arrête brusquement, éteignez-le immédiatement. Débranchez l'appareil et localisez le problème au niveau de l'appareil ou déterminez si la capacité de charge nominale du groupe électrogène n'a pas été dépassée.

La plupart des moteurs des équipements branchés exigent une puissance supérieure à la puissance nominale lors du démarrage.

Assurez-vous que les caractéristiques électriques nominales de l'outil ou de l'appareil ne dépassent pas la puissance nominale maximale du groupe électrogène.

Puissance maximale :

3,2 kVA

Pour une utilisation en continu, ne dépassez pas la puissance nominale.

Puissance nominale :

2,6 kVA

Dans les deux cas, la puissance totale requise (VA) de tous les appareils branchés doit être prise en compte. Les fabricants d'appareils et d'outils électriques indiquent généralement les caractéristiques nominales près du numéro de modèle ou du numéro de série.

REMARQUE

Une surcharge importante qui fait continuellement s'allumer le témoin d'alarme de surcharge (rouge) peut endommager le groupe électrogène. Une surcharge mineure qui fait temporairement s'allumer le témoin d'alarme de surcharge (rouge) peut réduire la longévité du groupe électrogène.

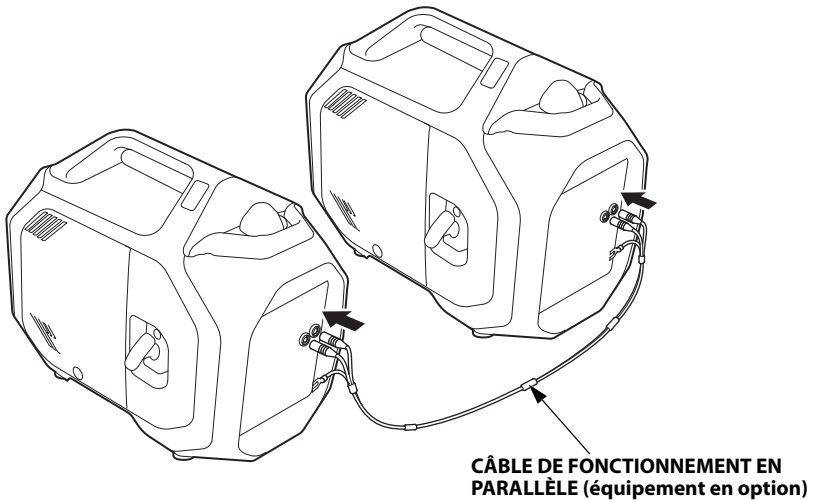
UTILISATION DU COURANT ALTERNATIF AVEC FONCTIONNEMENT EN PARALLÈLE

Avant de brancher un appareil à l'un ou l'autre des groupes électrogènes, vérifiez qu'il est en bon état de marche et que ses caractéristiques électriques ne dépassent pas celles de la prise.

La plupart des appareils motorisés exigent une puissance supérieure à la puissance nominale lors du démarrage. Il est possible que le témoin d'alarme de surcharge (rouge) s'allume au démarrage d'un moteur électrique. Cela est normal si le témoin d'alarme de surcharge (rouge) s'éteint dans les quatre secondes. Si le témoin d'alerte/de vérification d'huile (rouge) clignote en continu, contactez un centre de réparations Honda agréé.

Lors du fonctionnement en parallèle, l'interrupteur Eco-Throttle doit être placé sur la même position sur les deux groupes électrogènes.

1. Branchez le câble de fonctionnement en parallèle entre les deux groupes électrogènes EU32i en suivant les instructions fournies avec le câble.



2. Démarrez les moteurs (reportez-vous à la page 40) et assurez-vous que le témoin de sortie (vert) s'allume sur chaque groupe électrogène (reportez-vous à la page 44).

UTILISATION

3. Branchez l'appareil en suivant les instructions fournies avec le câble de fonctionnement en parallèle.

4. Allumez l'appareil.

Le témoin d'alarme de surcharge (rouge) s'allume en cas de surcharge des groupes électrogènes (reportez-vous à la page 49) ou de court-circuit dans un appareil branché. Le témoin d'alarme de surcharge (rouge) reste allumé et après dix secondes environ en cas de surcharge ou cinq secondes environ en cas de court-circuit courant vers le ou les appareils branchés est coupé et le témoin de sortie (vert) s'éteint. Arrêtez les deux moteurs et recherchez l'origine du problème.

Déterminez si la cause est un court-circuit dans un appareil branché ou une surcharge. Corrigez le problème et redémarrez le groupe électrogène.

Applications CA avec fonctionnement en parallèle

Suivez les instructions fournies avec le câble de fonctionnement en parallèle. Avant de raccorder un appareil ou un cordon d'alimentation au groupe électrogène :

- Assurez-vous qu'il est en bon état de fonctionnement. Des appareils ou cordons d'alimentation défectueux font courir un risque de décharge électrique.
- Si un appareil se met à fonctionner anormalement, fonctionne paresseusement ou s'arrête brusquement, éteignez-le immédiatement. Débranchez l'appareil et localisez le problème au niveau de l'appareil ou déterminez si la capacité de charge nominale du groupe électrogène n'a pas été dépassée.
- Ne raccordez jamais des modèles et des types de groupes électrogènes différents.
- Utilisez uniquement le câble de fonctionnement en parallèle agréé par Honda (équipement en option) pour raccorder deux groupes électrogènes EU32i pour le fonctionnement en parallèle.
- Ne branchez et ne retirez jamais le câble de fonctionnement en parallèle lorsque le groupe électrogène fonctionne.
- Pour l'utilisation d'un groupe électrogène seul, le câble de fonctionnement en parallèle doit être retiré.

La plupart des moteurs des équipements branchés exigent une puissance supérieure à la puissance nominale lors du démarrage.

Assurez-vous que les caractéristiques électriques nominales de l'outil ou de l'appareil ne dépassent pas la puissance nominale maximale du groupe électrogène.

Puissance maximale en fonctionnement en parallèle :

6,4 kVA

Pour une utilisation en continu, ne dépassez pas la puissance nominale.

Puissance nominale en fonctionnement en parallèle :

5,2 kVA

Dans les deux cas, la puissance totale requise (VA) de tous les appareils branchés doit être prise en compte. Les fabricants d'appareils et d'outils électriques indiquent généralement les caractéristiques nominales près du numéro de modèle ou du numéro de série.

REMARQUE

Une surcharge importante qui fait continuellement s'allumer le témoin d'alarme de surcharge (rouge) peut endommager le groupe électrogène. Une surcharge mineure qui fait temporairement s'allumer le témoin d'alarme de surcharge (rouge) peut réduire la longévité du groupe électrogène.

UTILISATION

SYSTÈME ECO-THROTTLE

Le système s'allume et s'éteint à chaque fois que vous appuyez sur l'interrupteur Eco-Throttle.

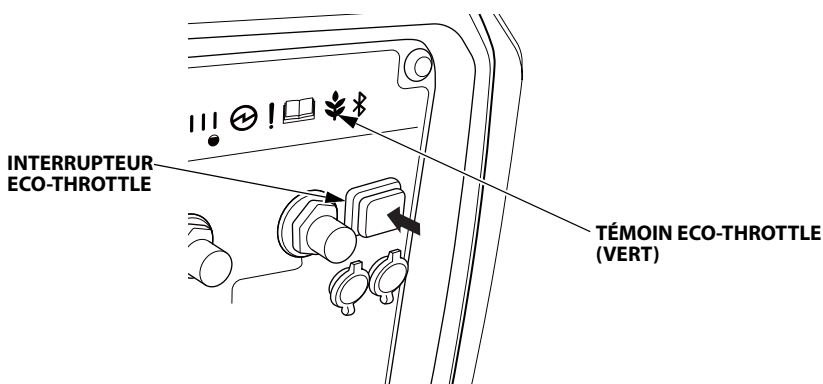
Lorsque l'interrupteur est en position MARCHE, le régime moteur est automatiquement réduit lorsque les charges sont réduites ou lorsque les appareils sont mis hors tension ou débranchés. Lorsque les appareils sont remis sous tension ou rebranchés, le moteur revient au régime nominal pour alimenter la charge électrique. Sur la position ARRÊT, le système Eco-Throttle ne fonctionne pas.

Les appareils nécessitant une grande puissance de démarrage peuvent ne pas permettre au moteur d'atteindre le régime normal lorsqu'ils sont branchés au groupe électrogène. Placez l'interrupteur Eco-Throttle sur ARRÊT et branchez l'appareil au groupe électrogène. Si le moteur n'atteint toujours pas son régime de fonctionnement normal, vérifiez que l'appareil ne dépasse pas la capacité de charge nominale du groupe électrogène.

Si des charges électriques élevées sont branchées simultanément, placez l'interrupteur Eco-Throttle sur ARRÊT pour réduire les variations de tension.

Le système Eco-Throttle n'est pas efficace lors de l'utilisation d'appareils ou d'outils ne nécessitant qu'une puissance momentanée. Si l'outil ou l'appareil est rapidement mis sous tension et hors tension, il faut laisser l'interrupteur Eco-Throttle en position ARRÊT.

Interrupteur Eco-Throttle sur MARCHE	Témoins (verts) allumés • Recommandé pour réduire la consommation de carburant au minimum et diminuer encore le niveau sonore lorsque le groupe électrogène n'est pas sollicité à pleine charge.
Interrupteur Eco-Throttle sur ARRÊT	Témoins éteints • Le système Eco-Throttle ne fonctionne pas.



ALIMENTATION DE SECOURS

Raccordement au système électrique d'un bâtiment

Le raccordement au système électrique d'un bâtiment pour assurer une alimentation de secours doit toujours être effectué par un électricien qualifié. La connexion doit isoler le groupe électrogène des lignes de la compagnie d'électricité et doit être conforme à toute la réglementation et à tous les codes électriques applicables.

AVERTISSEMENT

Un raccordement incorrect au système électrique d'un bâtiment peut permettre le retour du courant du groupe électrogène dans le réseau public.

Un tel retour du courant peut provoquer l'électrocution du personnel de la compagnie d'électricité ou de toute autre personne touchant les lignes électriques pendant une panne de courant. De plus, le groupe électrogène risque d'exploser, de brûler ou de provoquer un incendie lors du rétablissement du courant.

Avant d'effectuer des raccordements électriques, consultez la compagnie d'électricité ou un électricien qualifié.

Dans certaines régions, la législation impose l'enregistrement des groupes électrogènes auprès des compagnies d'électricité locales. Vérifiez la réglementation locale pour l'enregistrement et les procédures d'utilisation à respecter.

Masse du système

Ce groupe électrogène est pourvu d'une masse de système qui connecte les composants du châssis du groupe électrogène aux bornes de masse des prises de sortie CA. La masse du système n'est pas connectée au fil de neutre CA.

UTILISATION

Prescriptions spéciales

REMARQUE

Ne posez pas le groupe électrogène sur le côté lors du déplacement, du stockage ou de l'utilisation. De l'huile et du carburant peuvent fuir et endommager le moteur ou vos biens.

Il se peut que des législations, codes locaux ou réglementations s'appliquent à l'usage prévu du groupe électrogène. Consultez un électricien qualifié, un contrôleur d'installations électriques ou une agence locale habilitée.

- Dans certaines régions, les groupes électrogènes doivent être enregistrés auprès des compagnies d'électricité locales.
- Si le groupe électrogène est utilisé sur un chantier de construction, il se peut que d'autres réglementations doivent être respectées.

ENTRETIEN DU GROUPE ÉLECTROGÈNE

IMPORTANCE DE L'ENTRETIEN

Un bon entretien est essentiel pour un fonctionnement sûr, économique et sans problème. Il contribue également à réduire la pollution atmosphérique.

Pour faciliter l'entretien correct du groupe électrogène, vous trouverez aux pages suivantes un programme d'entretien, des procédures de contrôle de routine et des procédures d'entretien simples pouvant être effectuées avec des outils à main de base. D'autres opérations d'entretien plus difficiles ou demandant des outils spéciaux seront mieux exécutées par des professionnels et devront normalement être confiées à un technicien Honda ou à un autre mécanicien qualifié.

Le programme d'entretien s'applique à des conditions d'utilisation normales. Si vous utilisez le groupe électrogène dans des conditions inhabituelles, telles qu'un fonctionnement prolongé sous une charge élevée ou par temps chaud, ou dans des conditions poussiéreuses, demandez au centre de réparations des recommandations qui s'appliquent à vos besoins et usages particuliers.

AVERTISSEMENT

Si ce groupe électrogène n'est pas correctement entretenu ou si un problème n'est pas résolu avant utilisation, une anomalie de fonctionnement majeure peut en découler.

Certaines anomalies de fonctionnement peuvent entraîner des blessures graves, voire la mort.

Respectez toujours les recommandations et programmes de contrôle et d'entretien figurant dans le présent manuel.

Rappelez-vous que le centre de réparations Honda agréé connaît le mieux le groupe électrogène et est parfaitement outillé pour l'entretenir et le réparer.

Pour une qualité et une fiabilité optimales, n'utilisez que des pièces neuves de marque Honda ou leur équivalent pour les réparations et remplacements.

SÉCURITÉ D'ENTRETIEN

Certaines des consignes de sécurité les plus importantes sont indiquées ci-dessous. Il ne nous est toutefois pas possible de vous avertir de tous les dangers imaginables que vous pouvez rencontrer en exécutant l'entretien. Vous êtes seul apte à décider si vous devez ou non effectuer un travail donné.

AVERTISSEMENT

Un entretien inadapté peut entraîner des conditions dangereuses.

Ne pas suivre correctement les instructions et précautions d'entretien peut entraîner des blessures graves, voire la mort.

Respectez toujours les procédures et précautions indiquées dans le présent manuel.

Consignes de sécurité

Lisez les instructions avant de commencer et veillez à disposer de l'outillage et des compétences nécessaires.

- Avant de commencer un entretien ou une réparation, assurez-vous que le moteur est arrêté. Cela éliminera plusieurs risques potentiels :
 - **Intoxication au monoxyde de carbone contenu dans les gaz d'échappement du moteur**
Procédez à l'extérieur, à distance des fenêtres et des portes ouvertes, avec les gaz d'échappement du moteur non orientés vers des structures occupées.
 - **Brûlures par des pièces chaudes**
Attendez que le moteur et le système d'échappement aient refroidi avant de les toucher.
 - **Blessures par des pièces mobiles**
Ne faites tourner le moteur que si cela est indiqué dans les instructions.
- Pour diminuer les risques d'incendie ou d'explosion, agissez avec prudence lorsque vous travaillez à proximité d'essence. Pour nettoyer les pièces, n'utilisez que des solvants ininflammables (et non de l'essence). Éloignez les cigarettes, étincelles et flammes des pièces du système d'alimentation en carburant.

ENTRETIEN DU GROUPE ÉLECTROGÈNE

PROGRAMME D'ENTRETIEN

Le non-respect du présent programme d'entretien peut entraîner des pannes non couvertes par la garantie.

PÉRIODICITÉ D'ENTRETIEN (3) Exécutez l'entretien selon la périodicité indiquée en mois ou en heures de fonctionnement, à la première des deux échéances.		À chaque utilisation	Premier mois ou après 20 heures	Tous les trois mois ou après 50 heures	Tous les six mois ou après 100 heures	Tous les ans ou après 300 heures	Page	
POSTE								
Huile moteur	Vérifier le niveau	o					36	
	Remplacer (première fois après achat)		o				56	
	Remplacer				o		56	
Filtre à air	Vérifier	o					37	
	Nettoyer			o (1)			57	
	Remplacer					o	37	
Bougie d'allumage	Vérifier et régler				o		58	
	Remplacer					o	58	
Pare-étincelles	Nettoyer				o		60	
Courroie de distribution	Vérifier	Toutes les 250 heures (2)						—
Jeu des soupapes	Vérifier et régler					o (2)	—	
Chambre de combustion	Nettoyer	Toutes les 500 heures (2)						—
Réservoir de carburant	Nettoyer	Tous les deux ans ou toutes les 1 000 heures (2)						—
Filtre de la pompe à carburant	Remplacer	Tous les deux ans ou toutes les 1 000 heures (2)						—
Tuyau de carburant	Vérifier	Tous les 2 ans (Remplacez si nécessaire) (2)						—
Réservoir à charbon actif	Vérifier	Tous les 2 ans (Remplacez si nécessaire) (2)						—
Tuyau de purge	Vérifier	Tous les 2 ans (Remplacez si nécessaire) (2)						—
Tuyau de charge	Vérifier	Tous les 2 ans (Remplacez si nécessaire) (2)						—
Tuyau d'air	Vérifier	Tous les 2 ans (Remplacez si nécessaire) (2)						—
Tuyau de vidange	Vérifier	Tous les 2 ans (Remplacez si nécessaire) (2)						—

- (1) Faites un entretien plus fréquent en cas d'utilisation dans un milieu poussiéreux.
- (2) Confiez l'entretien de ces points à votre centre de réparations à moins de disposer des outils appropriés et d'avoir les compétences requises en mécanique. Pour les procédures d'entretien, reportez-vous au manuel d'atelier Honda.
- (3) Pour une utilisation commerciale, consignez le nombre d'heures de fonctionnement afin de déterminer la périodicité d'entretien appropriée.

Ce groupe électrogène est équipé d'un convertisseur catalytique. Si le moteur n'est pas correctement entretenu, le catalyseur du pot d'échappement peut perdre en efficacité.

ENTRETIEN DU GROUPE ÉLECTROGÈNE

VIDANGE DE L'HUILE MOTEUR

Vidangez l'huile tandis que le moteur est chaud afin d'assurer une vidange rapide et complète.

1. Placez le commutateur principal sur la position ARRÊT (reportez-vous à la page 42) afin de limiter le risque de fuites de carburant.
2. Desserrez la vis du couvercle de visite et retirez le couvercle de visite (reportez-vous à la page 36).
3. Placez un récipient approprié sous le groupe électrogène pour recueillir l'huile usagée.
4. Retirez le bouchon de remplissage d'huile et versez l'huile dans le récipient en inclinant le moteur en direction du goulot de remplissage d'huile.

REMARQUE

Une mise au rebut incorrecte de l'huile moteur peut être nocive pour l'environnement. Si vous procédez à la vidange d'huile vous-même, mettez l'huile usagée au rebut de manière adaptée.

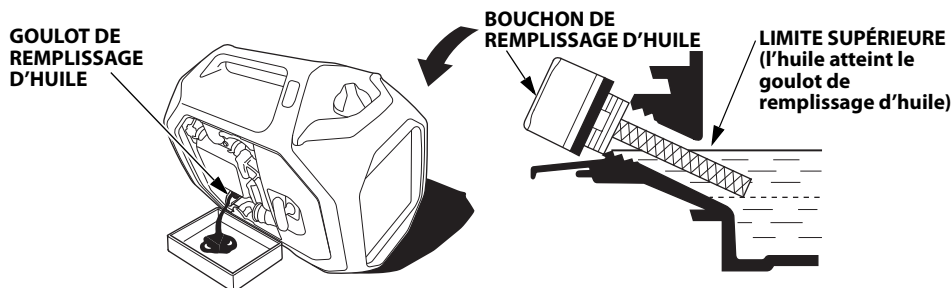
Ne la jetez pas aux ordures et ne la déversez pas au sol ou dans un égout.

5. Placez le groupe électrogène à l'horizontale et remplissez d'huile recommandée jusqu'à la limite supérieure. Ne remplissez pas trop le système.
 - « Limite supérieure » : l'huile atteint le goulot de remplissage d'huile. Reportez-vous à la section "RECOMMANDATIONS POUR L'HUILE MOTEUR" à la page 17.

Contenance maximale en huile : 0,46 litre

6. Réinstallez bien le bouchon de remplissage d'huile.
7. Réinstallez le couvercle de visite et serrez bien la vis du couvercle de visite.

Lavez-vous les mains avec de l'eau et du savon après avoir manipulé l'huile usagée.

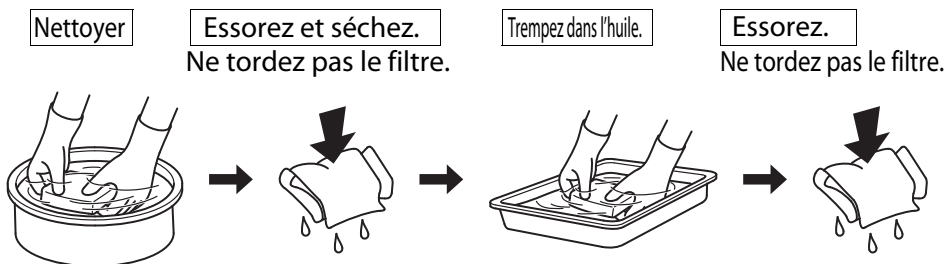


ENTRETIEN DU FILTRE À AIR

Nettoyage du filtre à air en mousse

Un filtre à air en mousse encrassé restreindra le passage d'air vers le système d'alimentation en carburant, ce qui diminuera les performances du moteur. Si vous utilisez le groupe électrogène dans des endroits très poussiéreux, nettoyez le filtre à air en mousse plus fréquemment qu'il n'est spécifié dans le programme d'entretien.

1. Nettoyez le filtre à air en mousse dans de l'eau savonneuse chaude, rincez-le et laissez-le sécher complètement ou nettoyez-le dans un solvant ininflammable et laissez-le sécher.
2. Trempez le filtre à air en mousse dans de l'huile moteur propre, puis éliminez l'huile en excès en l'essortant. S'il reste trop d'huile dans le filtre à air en mousse, le moteur fumera au démarrage.



3. Essuyez la saleté à l'intérieur du couvercle du filtre à air à l'aide d'un chiffon humide.
Veillez à ce que la saleté ne pénètre pas dans le conduit d'air menant au système d'alimentation en carburant.

ENTRETIEN DU GROUPE ÉLECTROGÈNE

ENTRETIEN DE LA BOUGIE D'ALLUMAGE

Bougie d'allumage recommandée : CR6HSB (NGK)

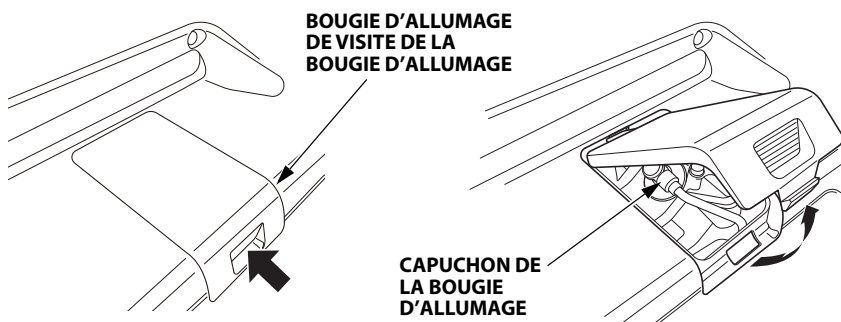
Pour assurer un bon fonctionnement du moteur, l'écartement des électrodes de la bougie doit être correct et il ne doit pas y avoir des traces de dépôts.

REMARQUE

Une bougie d'allumage incorrecte peut provoquer des dommages au moteur.

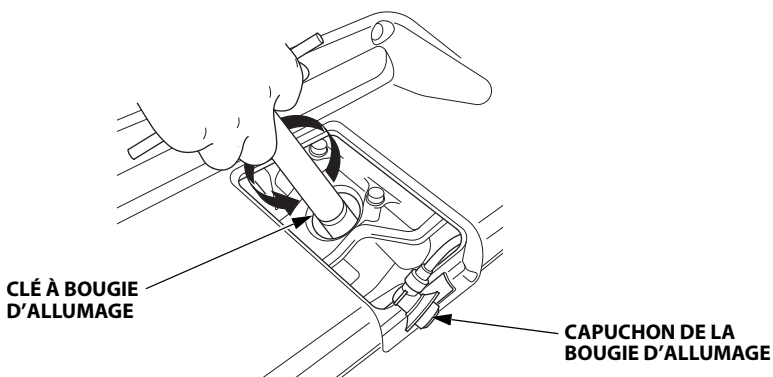
Si le moteur est chaud, laissez-le refroidir avant toute intervention sur la bougie.

1. Retirez le couvercle de visite de la bougie d'allumage.



2. Débranchez le capuchon de la bougie d'allumage et nettoyez la saleté autour de la bougie.

3. Retirez la bougie d'allumage à l'aide d'une clé à bougie.



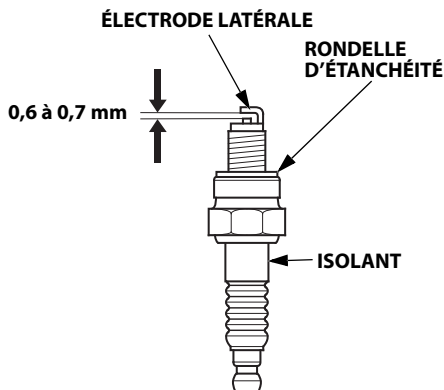
4. Inspectez la bougie d'allumage.

Remplacez-la si les électrodes sont usées ou encrassées ou si l'isolant est fendillé ou écaillé. Nettoyez la bougie d'allumage à l'aide d'une brosse métallique si vous souhaitez la réutiliser.

5. Mesurez l'écartement des électrodes

avec un calibre d'épaisseur à fils.

Si nécessaire, corrigez-le en pliant avec précaution l'électrode latérale.



Écartement des électrodes :

0,6 à 0,7 mm

6. Assurez-vous que la rondelle d'étanchéité de la bougie d'allumage est en bon état et vissez la bougie à la main afin de ne pas déformer le filetage.

7. Une fois la bougie d'allumage installée, serrez-la à l'aide d'une clé à bougie afin de comprimer la rondelle.

En cas de réinstallation d'une bougie d'allumage usagée, serrez de 1/8 à 1/4 de tour après que la bougie a touché son siège.

En cas d'installation d'une bougie d'allumage neuve, serrez de 1/2 tour après que la bougie a touché son siège.

Couple : 12 N·m

REMARQUE

Une bougie d'allumage insuffisamment serrée peut surchauffer et endommager le moteur.

Un serrage excessif de la bougie d'allumage peut endommager le filetage de la culasse.

8. Réinstallez bien le capuchon sur la bougie d'allumage.

9. Réinstallez le couvercle de visite de la bougie d'allumage.

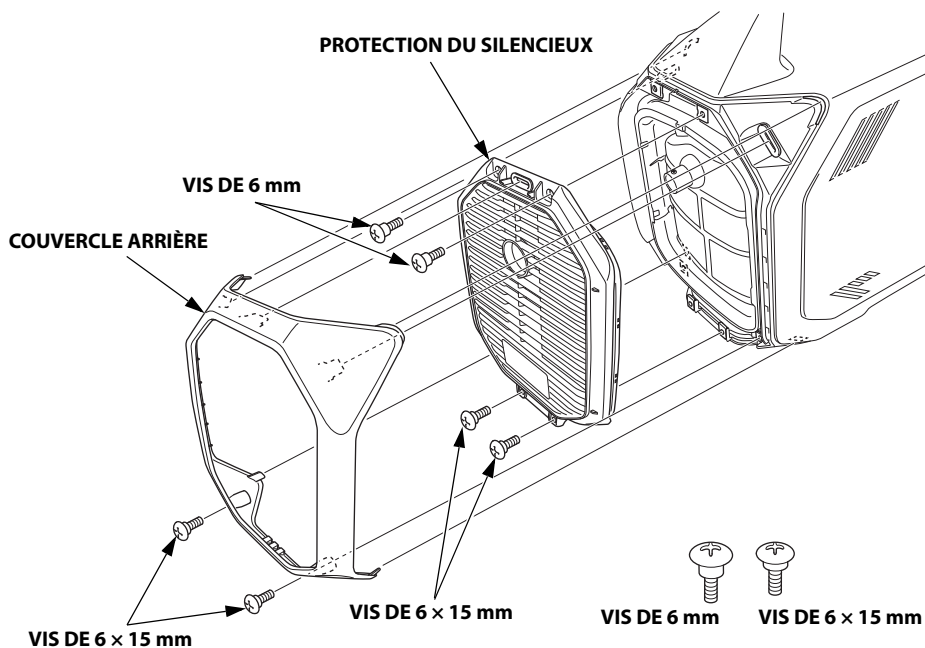
ENTRETIEN DU GROUPE ÉLECTROGÈNE

ENTRETIEN DU PARE-ÉTINCELLES

Si le moteur vient de tourner, le silencieux sera très chaud. Laissez le silencieux refroidir avant de nettoyer le pare-étincelles.

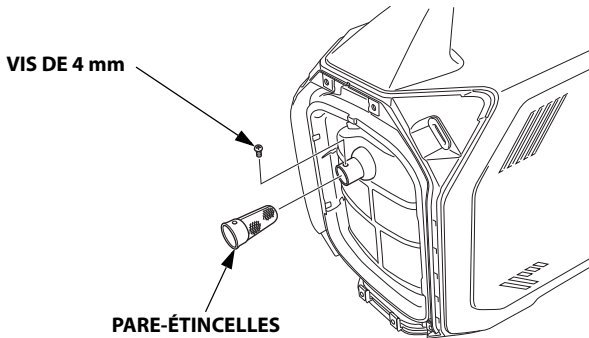
Procédez comme suit pour nettoyer le pare-étincelles :

1. Retirez les deux vis de 6 × 15 mm et le couvercle arrière.
Retirez les deux vis de 6 mm, les deux vis de 6 × 15 mm et la protection du silencieux.



ENTRETIEN DU GROUPE ÉLECTROGÈNE

2. Retirez la vis de 4 mm et le pare-étincelles.



3. Utilisez une brosse pour enlever la calamine de l'écran du pare-étincelles. Veillez à ne pas endommager l'écran. Le pare-étincelles ne doit pas être cassé ou déchiré. Remplacez le pare-étincelles s'il est endommagé.



4. Installez le pare-étincelles, la protection du silencieux et le couvercle arrière dans l'ordre inverse de la dépose.

STOCKAGE

PRÉPARATION AU STOCKAGE

Une préparation au stockage appropriée est essentielle pour maintenir le groupe électrogène en bon état de fonctionnement et lui conserver son bel aspect. Les opérations suivantes contribueront à empêcher que la rouille et la corrosion n'affectent le fonctionnement et l'aspect du groupe électrogène et à faciliter le démarrage du moteur lors de sa remise en service.

Nettoyage

Essayez le groupe électrogène avec un chiffon humide. Après avoir laissé sécher le groupe électrogène, faites les retouches de peinture nécessaires et enduisez toutes les parties susceptibles de rouiller d'une légère couche d'huile.

Carburant

REMARQUE

Selon la formulation de carburant du lieu d'utilisation de l'équipement, le carburant peut se dégrader et s'oxyder rapidement. La dégradation et l'oxydation du carburant peuvent se produire en seulement 30 jours et provoquer des dommages au système d'alimentation en carburant. Pour les recommandations sur le stockage local, consultez votre centre de réparations.

L'essence s'oxyde et se dégrade lors du stockage. Une essence vieille rend le démarrage difficile et laisse des dépôts de gomme susceptibles de boucher le système d'alimentation en carburant. Si l'essence dans le groupe électrogène se dégrade pendant le stockage, une intervention sur les pièces du système d'alimentation en carburant ou leur remplacement peut être nécessaire. La durée pendant laquelle vous pouvez laisser l'essence dans le réservoir de carburant sans qu'il ne cause de problèmes de fonctionnement dépend de facteurs tels que la composition de l'essence ou les températures de stockage et le remplissage partiel ou total du réservoir de carburant. L'air dans un réservoir de carburant partiellement rempli favorise la dégradation du carburant. Des températures de stockage très élevées accélèrent la détérioration du carburant. Des problèmes de dégradation du carburant peuvent survenir après quelques mois ou même plus rapidement si l'essence utilisée pour remplir le réservoir n'était pas fraîche.

Procédez à l'entretien conformément aux indications du tableau ci-dessous :

DURÉE DE STOCKAGE	PROCÉDURE D'ENTRETIEN RECOMMANDÉE POUR ÉVITER LE DÉMARRAGE DIFFICILE
Moins d'un mois	Aucune préparation requise.
D'un mois à un an	Vidangez le réservoir de carburant (reportez-vous à la page 64).
Un an ou plus	Vidangez le réservoir de carburant (reportez-vous à la page 64). Retirez la bougie d'allumage. Placez une cuillère à café d'huile moteur dans le cylindre. Faites doucement tourner le moteur avec la corde de lancement pour distribuer l'huile. Réinstallez la bougie d'allumage. Vidangez l'huile moteur (reportez-vous à la page 56).

VIDANGE DU RÉSERVOIR DE CARBURANT

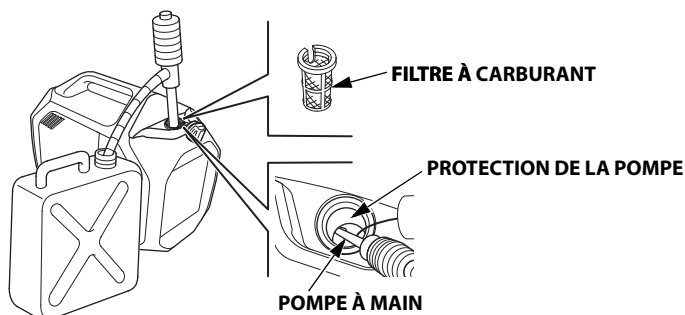
⚠ AVERTISSEMENT

L'essence est hautement inflammable et explosive.

La manipulation du carburant fait courir des risques de brûlures et de blessures graves.

- Arrêtez le moteur et laissez-le refroidir avant de manipuler le carburant.
- Gardez le carburant éloigné de la chaleur, des étincelles et des flammes.
- Manipulez le carburant uniquement à l'extérieur.
- Tenez le carburant éloigné de votre véhicule.
- Essayez immédiatement tout déversement.

Dévissez le bouchon de remplissage de carburant (reportez-vous à la page 19), retirez le filtre à carburant et videz le contenu du réservoir dans un récipient homologué pour le stockage de l'essence. Nous vous recommandons d'utiliser une pompe à essence à main en vente dans le commerce pour vider le réservoir. N'utilisez pas de pompe électrique. Siphonnez l'essence en insérant l'embout de la pompe à main sur le côté de la protection de la pompe. Réinstallez le filtre à carburant et le bouchon du réservoir de carburant.



Huile moteur

Vidangez l'huile moteur (reportez-vous à la page 56).

Cylindre du moteur

1. Retirez la bougie d'allumage (reportez-vous à la page 58).
2. Placez une cuillère à café (5 cm³) d'huile moteur propre dans le cylindre.
3. Tirez la corde de lancement à plusieurs reprises pour distribuer l'huile dans le cylindre.
4. Réinstallez la bougie d'allumage (reportez-vous à la page 58).
5. Tirez lentement sur la poignée de lancement jusqu'à ce qu'une résistance soit perceptible. À ce moment-là le piston se trouve sur sa course de compression et les soupapes d'admission et d'échappement sont toutes les deux fermées. Le fait de stocker le moteur dans cet état contribue à le protéger de la corrosion interne. Ramenez doucement la poignée de lancement en arrière.

STOCKAGE

PRÉCAUTIONS DE STOCKAGE

Si le groupe électrogène est stocké avec de l'essence dans le réservoir de carburant, il est important de réduire les risques d'inflammation des vapeurs d'essence.

Choisissez une zone de stockage bien aérée loin de tout appareil à flamme (fourneau, chauffe-eau ou séchoir à linge, par exemple).

Évitez également tout endroit où un moteur électrique produisant des étincelles ou des outils électriques sont utilisés.

Évitez dans la mesure du possible les zones de stockage très humides car cela favorise la rouille et la corrosion.

Placez le groupe électrogène sur une surface horizontale. Une inclinaison peut provoquer des fuites de carburant ou d'huile.

Une fois que le moteur et le système d'échappement sont froids, couvrez le groupe électrogène pour le protéger de la poussière. Un moteur ou un système d'échappement chaud peut enflammer ou faire fondre certains matériaux.

N'utilisez pas de feuille en plastique pour la protection contre la poussière. Une bâche non poreuse emprisonne l'humidité autour du groupe électrogène et favorise la rouille et la corrosion.

FIN DU STOCKAGE

Vérifiez le groupe électrogène comme indiqué au chapitre "AVANT UTILISATION" du présent manuel (reportez-vous à la page 33).

Si le réservoir de carburant a été vidangé lors de la préparation au stockage, remplissez-le d'essence fraîche. Si vous gardez un bidon d'essence pour le ravitaillement, veillez à ce qu'il ne contienne que de l'essence fraîche. L'essence s'oxyde et se dégrade avec le temps, ce qui rend le démarrage difficile.

Si le cylindre a été enduit d'huile lors de la préparation au stockage, le moteur peut fumer brièvement au démarrage. Il s'agit d'un phénomène normal.

TRANSPORT

⚠ ATTENTION

Un moteur qui vient de fonctionner reste très chaud pendant un certain temps.

Un moteur ou un système d'échappement chaud peut vous brûler et enflammer certains matériaux.

Si le groupe électrogène vient de fonctionner, laissez-le refroidir pendant au moins 15 minutes avant de le charger sur le véhicule de transport.

Vidangez le carburant du réservoir lors du transport.

Maintenez le groupe électrogène dans sa position normale de fonctionnement pour éviter les déversements lors du transport.

REMARQUE

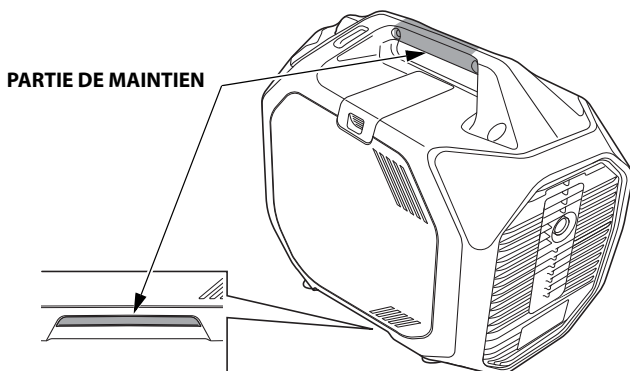
Ne posez pas le groupe électrogène sur le côté lors du déplacement, du stockage ou de l'utilisation. De l'huile ou du carburant peut fuir et endommager le moteur ou vos biens.

N'utilisez pas le groupe électrogène lors de son transport ou de son installation sur n'importe quel type de véhicule, de remorque ou de bateau.

Veillez à ne pas faire tomber ou heurter le groupe électrogène lors du transport. Ne placez pas d'objets lourds sur le groupe électrogène.

TRANSPORT

Transportez le groupe électrogène en le tenant par la partie de maintien (parties grisées sur l'illustration ci-dessous).



Évitez les endroits exposés aux rayons directs du soleil lorsque vous placez le groupe électrogène sur un véhicule. Si le groupe électrogène est laissé pendant de nombreuses heures dans un véhicule fermé, la température élevée à l'intérieur du véhicule peut entraîner la vaporisation de l'essence et une explosion.

EN CAS DE PROBLÈME INATTENDU

LA VITESSE DU MOTEUR EST INSTABLE OU LE MOTEUR NE DÉMARRE PAS

Cause possible	Solution
Le commutateur principal est en position ARRÊT.	Placez commutateur principal sur la position MARCHE (reportez-vous à la page 40).
Absence de carburant	Faites le plein (reportez-vous à la page 18).
Carburant de mauvaise qualité, groupe électrogène stocké sans vidanger l'essence ou remplissage avec une essence de mauvaise qualité.	Vidangez le réservoir de carburant (reportez-vous à la page 64). Faites le plein avec de l'essence fraîche (reportez-vous à la page 18).
Du fait d'un niveau d'huile insuffisant, le système d'alerte d'huile a arrêté le moteur.	Placez commutateur principal sur la position ARRÊT. Ajoutez de l'huile moteur. Placez le commutateur principal sur la position MARCHE et redémarrez le moteur.
Bougie défectueuse ou encrassée ou mauvais écartement des électrodes.	Réglez l'écartement ou remplacez la bougie d'allumage (reportez-vous à la page 58).
Bougie d'allumage noyée par le carburant (moteur noyé).	Séchez et réinstallez la bougie d'allumage.
Filtre à carburant obstrué, anomalie de fonctionnement du système d'alimentation en carburant, défaillance de la pompe à carburant, anomalie de fonctionnement de l'allumage, soupapes gommées, etc.	Confiez le groupe électrogène à votre centre de réparations ou consultez le manuel d'atelier.

EN CAS DE PROBLÈME INATTENDU

LE MOTEUR MANQUE DE PUISSANCE

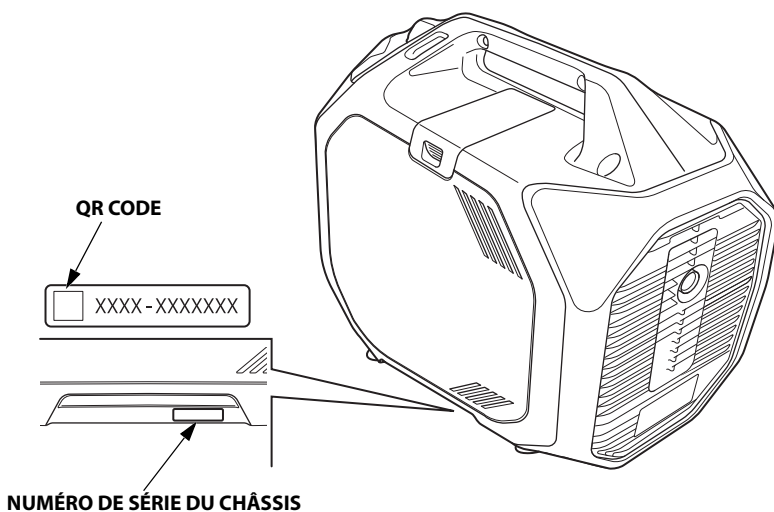
Cause possible	Solution
Filtre à air obstrué.	Nettoyez ou remplacez le filtre à air (reportez-vous à la page 57).
Carburant de mauvaise qualité, groupe électrogène stocké sans vidanger l'essence ou remplissage avec une essence de mauvaise qualité.	Vidangez le réservoir de carburant (reportez-vous à la page 64). Faites le plein avec de l'essence fraîche (reportez-vous à la page 18).
Filtre à carburant obstrué, anomalie de fonctionnement du système d'alimentation en carburant, défaillance de la pompe à carburant, anomalie de fonctionnement de l'allumage, soupapes gommées, etc.	Confiez le groupe électrogène à votre centre de réparations ou consultez le manuel d'atelier.

PAS DE COURANT AUX PRISES CA

Cause possible	Solution
Le témoin de sortie est éteint et le témoin d'alarme de surcharge est allumé.	Vérifiez la charge CA. Arrêtez et redémarrez le moteur.
	Vérifiez l'entrée d'air de refroidissement. Arrêtez et redémarrez le moteur.
Le témoin d'alarme de surcharge clignote.	Une fois la cause de la surcharge supprimée, il est possible de redémarrer le groupe électrogène en appuyant sans relâcher sur l'interrupteur Eco-Throttle (pendant plus de trois secondes) (reportez-vous à la page 24).
Protecteur de circuit CA déclenché.	Vérifiez la charge CA et réinitialisez le protecteur de circuit (reportez-vous à la page 25).
Appareil ou outil électrique défectueux.	Remplacez ou réparez l'outil ou l'appareil électrique. Arrêtez et redémarrez le moteur.
Groupe électrogène défectueux.	Confiez le groupe électrogène à votre centre de réparations ou consultez le manuel d'atelier.

INFORMATIONS TECHNIQUES

EMPLACEMENT DES NUMÉROS DE SÉRIE



Notez dans les espaces ci-dessous le numéro de série du châssis et la date d'achat. Ces informations seront nécessaires pour la commande de pièces et les demandes de renseignements techniques ou de garantie.

Numéro de série du châssis : _____

Date d'achat : _____

INFORMATIONS TECHNIQUES

CARACTÉRISTIQUES TECHNIQUES

Dimensions

Modèle	EU32i	
Type	F, G	IT
Code de description	EBKJ	
Longueur	571 mm	596 mm
Largeur	306 mm	
Hauteur	452 mm	
Masse à sec [poids]	26,5 kg	

Moteur

Modèle	GX130
Type de moteur	Monocylindre 4 temps à soupapes en tête
Cylindrée [alésage × course]	130 cm ³ [56,0 × 53,0 mm]
Taux de compression	10.0 : 1
Régime moteur	4 800 à 5 500 min ⁻¹ (tr/min) (avec interrupteur Eco-Throttle sur ARRÊT)
Système de refroidissement	Forcé par circulation d'air
Système d'allumage	Allumage entièrement transistorisé
Contenance en huile moteur	0,46 litre
Contenance du réservoir de carburant	4,6 litres
Bougie d'allumage	CR6HSB (NGK)

[Émissions de dioxyde de carbone (CO₂)*]

Veuillez vous reporter à la liste des informations CO₂ du site suivant :

www.honda-engines-eu.com/co2

* La mesure du CO₂ provient d'un test sur un cycle fixe sous des conditions en laboratoire d'un moteur (parent) représentant le type de moteur (famille de moteur) et n'impliquera, ni ne sera la preuve de la garantie de la performance d'un moteur particulier.

Groupe électrogène

Modèle		EU32i
Type		F, G, IT
Sortie CA	Tension nominale	230 V
	Fréquence nominale	50 Hz
	Intensité nominale	11,3 A
	Puissance nominale	2,6 kVA
	Puissance maximale	3,2 kVA

Communication

Version <i>Bluetooth</i> ®	5,0 (Bluetooth Low Energy)
Bande de fréquences	2 402 MHz à 2 480 MHz
Puissance radiofréquence maximale	<4 dBm

INFORMATIONS TECHNIQUES

Bruit

Modèle	EU32i
Type	F, G, IT
Niveau de pression acoustique au poste de travail (2006/42/CE)	73 dB (A) (avec interrupteur Eco-Throttle en position MARCHÉ)
<p>Position du microphone</p> <p>PANNEAU DE COMMANDE</p> <p>Centre</p> <p>1,0 m</p> <p>1,60 m</p>	
Incertitude	4 dB (A)
Niveau de puissance acoustique mesuré (2000/14/CE, 2005/88/CE)	88 dB (A) (avec interrupteur Eco-Throttle en position MARCHÉ)
Incertitude	3 dB (A)
Niveau de puissance acoustique garanti (2000/14/CE, 2005/88/CE)	91 dB (A) (avec interrupteur Eco-Throttle en position MARCHÉ)

« Les chiffres cités sont des niveaux d'émission et ne correspondent pas nécessairement à des niveaux sûrs pour le travail. Bien qu'une corrélation existe entre les niveaux d'émission et d'exposition, elle ne peut pas être utilisée de manière fiable pour déterminer s'il convient ou non de prendre des précautions supplémentaires. Parmi les facteurs ayant une incidence sur le niveau réel d'exposition de la main-d'œuvre, il y a les caractéristiques du local de travail, les autres sources de bruit, etc. et notamment le nombre de machines et autres opérations voisines et la durée d'exposition au bruit de l'opérateur. Il faut également noter que le niveau d'exposition autorisé diffère selon les pays. Ces informations permettront toutefois à l'utilisateur de la machine de mieux évaluer les dangers et risques. »

Les caractéristiques techniques peuvent varier selon le type et sont susceptibles d'être modifiées sans préavis.

Schéma de câblage

(reportez-vous à l'intérieur de la couverture arrière)

Abréviations

Symbole	Désignation
ACCP	Protecteur de circuit CA
ACOR	Prise de sortie CA
BASe	Capteur d'inclinaison latérale
CPB	Bloc panneau de commande
EcoSw	Interrupteur Eco-Throttle
ECG	Masse ECU
ECU	ECU
EgB	Bloc moteur
EgG	Masse du moteur
ESw	Commutateur principal
(F)	Type F
FrB	Bloc châssis
FP	Pompe à carburant
GCU	Module de commande du groupe électrogène
GeB	Bloc groupe électrogène
GT	Borne de masse
IASE	Capteur de température de l'air d'admission (IAT)
IB	Bloc onduleur
IgC	Bobine d'allumage
In	Injecteur
IndU	Unité témoin
(IT)	Type IT
IU	Unité onduleur
MASE	Capteur de pression de suralimentation (MAP)
MW	Enroulement principal
NF	Filtre antiparasite
OLSw	Commutateur de niveau d'huile
O2Se	Capteur d'O2
PC	Bobine de pulsation
POR	Prise pour fonctionnement en parallèle
SP	Bougie d'allumage
SW	Enroulement secondaire
TCM	Moteur de commande des gaz
TESe	Capteur TE

Code couleur des fils

Bl	Noir
Br	Marron
G	Vert
Gr	Gris
Bu	Bleu
Lb	Bleu clair
Lg	Vert clair
O	Orange
P	Rose
R	Rouge
W	Blanc
Y	Jaune
V	Violet
BE	Beige

INTER. ECO-THROTTLE

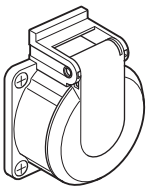
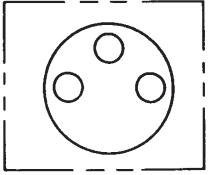
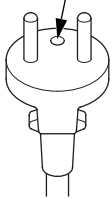
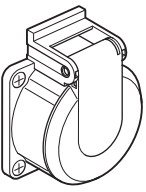
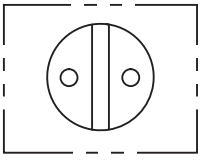
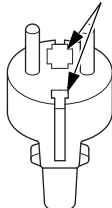
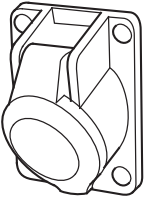
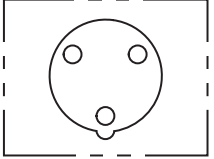
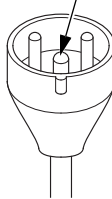
	COM	SW
APPUYEZ	○	○
ARRÊT		

INTER. ARRÊT MOTEUR

	COM	SW
MARCHE	○	○
ARRÊT		

INFORMATIONS TECHNIQUES

Prise

Type	Forme		Fiche
F			BROCHE DE MASSE 
G			BROCHE DE MASSE 
IT			BROCHE DE MASSE 

INFORMATIONS DE RÉFÉRENCE

« QR Code » est une marque commerciale déposée de DENSO WAVE INCORPORATED.



La marque de mot et les logos *Bluetooth* sont des marques commerciales déposées appartenant à Bluetooth SIG, Inc. Leur utilisation par Honda Motor Co., Ltd. s'effectue sous licence. Les autres marques commerciales et appellations commerciales sont la propriété de leurs détenteurs respectifs.

NOTES PERSONNELLES

Honda EU32i

BEDIENUNGSANLEITUNG
Originalbetriebsanleitung



 **WARNUNG**

Abgase enthalten giftiges Kohlenmonoxidgas, das sich in geschlossenen oder teilweise geschlossenen Räumen zu gefährlichen Konzentrationen anreichern kann.

Das Einatmen von Kohlenmonoxid kann zu Bewusstlosigkeit oder zum Tod führen.

Den Motor niemals in einem geschlossenen oder auch nur teilweise geschlossenen Raum laufen lassen.

Bewahren Sie diese Bedienungsanleitung griffbereit auf, damit Sie jederzeit darauf zugreifen können.

Diese Bedienungsanleitung ist fester Bestandteil des Generators und muss dem Generator beim Weiterverkauf beiliegen.

Die in dieser Veröffentlichung enthaltenen Informationen und Daten waren zum Zeitpunkt der Druckfreigabe gültig. Honda Motor Co., Ltd. behält sich jedoch das Recht vor, Daten oder Gestaltung jederzeit ohne Vorankündigung und ohne jegliche Verpflichtung einzustellen oder zu ändern.

Die Abbildung kann je nach Typ abweichen.

VORWORT

Vielen Dank, dass Sie sich für einen Honda Generator entschieden haben.

Wir möchten, dass Sie mit Ihrem neuen Generator die besten Ergebnisse erzielen und ihn sicher bedienen können. In dieser Anleitung finden Sie die Informationen dazu. Lesen Sie sich alles sorgfältig durch.

Wir empfehlen Ihnen, die Garantie und damit den Umfang der Deckung sowie Ihre Verantwortung als Eigentümer vollständig durchzulesen.

Wenn der Generator eine planmäßige Wartung benötigt, beachten Sie, dass Honda Wartungshändler speziell für die Wartung von Honda Generatoren geschult sind. Den Honda Wartungshändlern liegt Ihre Zufriedenheit am Herzen. Sie kümmern sich gerne um Ihre Fragen und Anliegen.

VORWORT


EINE KURZE ANMERKUNG ZUR SICHERHEIT

Ihre Sicherheit und die Sicherheit anderer sind sehr wichtig.

In dieser Anleitung und auf dem Generator finden Sie wichtige Sicherheitshinweise. Diese Informationen machen Sie auf potenzielle Gefahren aufmerksam, die bei Ihnen oder anderen zu Verletzungen führen könnten. Lesen Sie diese Hinweise sorgfältig durch.

Es ist weder praktikabel noch möglich, Sie vor allen Gefahren zu warnen, die mit dem Betrieb oder der Wartung eines Generators verbunden sind. Daher müssen Sie von Ihrem eigenen gesunden Urteilsvermögen Gebrauch machen.

Wichtige Sicherheitsinformationen finden Sie in unterschiedlicher Form:

- **Sicherheitsaufkleber** – am Generator.
- **Anweisungen** – für die ordnungsgemäße und sichere Bedienung des Generators.
- **Sicherheitsüberschriften** – z. B. *WICHTIGE SICHERHEITSINFORMATIONEN*.
- **Sicherheitshinweise** – davor ein Sicherheitswarnsymbol  und eines der drei Signalwörter GEFAHR, WARNUNG oder VORSICHT.

Diese Signalwörter bedeuten:



GEFAHR

Wenn Sie die Anweisungen nicht befolgen, STERBEN Sie oder WERDEN SCHWER VERLETZT.



WARNUNG

Wenn Sie die Anweisungen nicht befolgen, KÖNNEN Sie STERBEN oder SCHWER VERLETZT WERDEN.



VORSICHT

Wenn Sie die Anweisungen nicht befolgen, können Sie SCHWER VERLETZT WERDEN.

Sie finden in der gesamten Anleitung wichtige Sicherheitsinformationen. Lesen Sie sie sorgfältig durch.

HINWEISE ZUR SCHADENSVERHÜTUNG

Darüber hinaus finden Sie Informationen mit einem **ACHTUNG**-Symbol davor. Mit diesen Informationen sollen Sie Schäden am Generator, anderem Eigentum oder der Umwelt vermeiden.

INHALT

VORWORT	1
GENERATORSICHERHEIT	6
WICHTIGE SICHERHEITSINFORMATIONEN	6
Verantwortung des Bedieners	6
Gefahr durch Kohlenmonoxid	7
Gefahr durch Stromschläge	8
Gefahr durch Brände und Verbrennungen	9
Vorsichtig auftanken	9
Explosionssgeschützt	10
Gefahr bei Fahrzeugen und beim Transport	10
Entsorgung	10
Den Generator entsorgen	10
POSITIONEN DER SICHERHEITSETIKETTEN	11
ANWEISUNGEN FÜR DIE ERSTINBETRIEBNAHME	16
MOTORÖL	16
EMPFEHLUNGEN FÜR MOTORÖL	17
KRAFTSTOFF	18
EMPFEHLUNGEN FÜR KRAFTSTOFF	20
STEUERELEMENTE UND FUNKTIONEN	21
POSITIONEN VON TEILEN UND STEUERELEMENTEN	21
STEUERELEMENTE	23
Hauptschalter	23
Startergriff	23
Öko-Drosselklappenschalter	24
Steckdosen für den Parallelbetrieb	25
Wechselstromkreisschutz	25
FUNKTIONEN	26
Masseanschluss	26
Tankanzeige	27
Ausgangskontrollleuchte	27
Überlastalarm (Kontrollleuchte)	28
Ölalarm-/Kontrollleuchte	28
Bluetooth®-Funktion	29
Smartphone-Anwendung	29
LED-Lichtmuster	31
Griff und Griff an der Unterseite	32

INHALT

VOR DEM BETRIEB	33
BEREIT, LOSZULEGEN?	33
Kenntnisse	33
IST DER GENERATOR BETRIEBSBEREIT?	33
Den Motor prüfen	34
Wechselstromgerät und Netzkabel	34
FÜLLSTAND DES MOTORÖLS KONTROLLIEREN	36
DEN LUFTFILTER PRÜFEN	37
VORSICHTSMASSNAHMEN FÜR DEN SICHEREN BETRIEB	39
BETRIEB	40
DEN MOTOR STARTEN	40
DEN MOTOR ABSTELLEN	42
DEN MOTOR MIT <i>BLUETOOTH</i> [®] -FÄHIGEM SMARTPHONE ABSTELLEN	43
WECHSELSTROMBETRIEB	44
Wechselstromanwendungen	46
WECHSELSTROMPARALLEL BETRIEB	47
Anwendungen für den Wechselstromparallelbetrieb	48
ÖKO-DROSSELKLAPPENSYSTEM	50
STANDBY-LEISTUNG	51
Anschlüsse an das Stromnetz eines Gebäudes	51
Systemerdung	51
Spezielle Anforderungen	52
DEN GENERATOR WARTEN	53
DIE BEDEUTUNG DER WARTUNG	53
SICHERHEIT BEI DER WARTUNG	54
Sicherheitsmaßnahmen	54
WARTUNGSPLAN	55
MOTORÖL WECHSELN	56
LUFTFILTER WARTEN	57
Schaumstofffilter reinigen	57
ZÜNDKERZE WARTEN	58
FUNKENFÄNGER WARTEN	60
LAGERUNG	62
VORBEREITUNGEN FÜR DIE LAGERUNG	62
Reinigung	62
Kraftstoff	62
Motoröl	65
Motorzylinder	65
MASSNAHMEN ZUR LAGERUNG	66
AUS DEM LAGER HSPBOLEN	66

TRANSPORT	67
UNERWARTETE PROBLEME BEHEBEN	69
MOTOR LÄSST SICH NICHT STARTEN.....	69
MOTOR ERBRINGT NICHT GENÜGENDE LEISTUNG	70
KEIN STROM AN DEN WECHSELSTROMBUCHSEN	70
TECHNISCHE DATEN	71
POSITION DER SERIENNUMMER	71
DATEN	72
REFERENZINFORMATIONEN	77
ERGÄNZUNG	Ende des Buches
• SCHALTPLAN	
• ADRESSEN DER HAUPT-Honda-VERTEILER	
• "UK-Konformitätserklärung" INHALTSÜBERSICHT	
• "EU-Konformitätserklärung" INHALTSÜBERSICHT	

GENERATORSICHERHEIT

WICHTIGE SICHERHEITSINFORMATIONEN

Honda Generatoren eignen sich für den Einsatz mit Elektrogeräten mit speziellem Leistungsbedarf. Andere Anwendungen können zu Verletzungen des Bedieners oder zu Schäden am Generator sowie anderen Sachschäden führen.

Die meisten Verletzungen oder Sachschäden lassen sich vermeiden, wenn alle Anweisungen in dieser Anleitung und am Generator beachtet werden. Die häufigsten Gefahren sowie die besten Schutzmaßnahmen für sich selbst und andere werden im Folgenden beschrieben.

Verantwortung des Bedieners

- Am Generator darf niemals etwas verändert werden. Dies kann zu Unfällen sowie Schäden am Generator und an Geräten führen. Bei Veränderungen am Motor erlischt die EU-Typgenehmigung dieses Motors.
 - Keine Verlängerung an den Schalldämpfer anschließen.
 - Keine Veränderungen am Ansaugtrakt vornehmen.
 - Den Regler nicht einstellen.
 - Das Bedienfeld nicht ausbauen und keine Veränderungen an der Verkabelung des Bedienfelds vornehmen.
- Bediener müssen wissen, wie sie den Generator im Notfall schnell abstellen können.
- Bediener müssen sich mit den Steuerelementen, Ausgangsbuchsen und Anschlüssen des Generators vertraut machen.
- Jeder, der den Generator bedient, muss ordnungsgemäß eingewiesen werden.
- Kinder müssen durch einen sicheren Abstand zum Generator geschützt werden.
- Die Anweisungen in dieser Anleitung zur Bedienung des Generators und die Informationen zur Wartung müssen beachtet werden. Das Nichtbeachten oder unsachgemäße Beachten der Anweisungen kann zu Unfällen wie Stromschlägen führen und den Zustand des Abgases verschlechtern.
- Den Generator nicht bedienen, wenn Abdeckungen abgenommen wurden. Bediener können sich Hände oder Füße im Generator einklemmen und einen Unfall verursachen.

- Für jegliche Demontage und Wartung des Generators, die nicht in dieser Anleitung beschrieben werden, an einen autorisierten Honda Fachhändler wenden.
- Alle geltenden örtlichen Gesetze und Vorschriften einhalten, wo der Generator eingesetzt wird.
- Benzin und Öl sind giftig. Vor dem Betrieb die Anweisungen des jeweiligen Herstellers beachten.
- Den Generator vor dem Betrieb auf einer festen, ebenen Fläche stellen.

Gefahr durch Kohlenmonoxid

Die Abgase eines Generators enthalten giftiges Kohlenmonoxid, das geruch- und farblos ist. Das Einatmen von Kohlenmonoxid kann SIE INNERHALB VON MINUTEN TÖTEN. Damit es zu keiner Kohlenmonoxidvergiftung kommt, beim Betrieb eines Generators diese Anweisungen beachten:

- Einen Generator nur DRAUSSEN laufen lassen, weit entfernt von Fenstern, Türen und Lüftungsschächten. Die Motorabgase müssen dabei von bewohnten Gebäuden weggeleitet werden.
- Einen Generator niemals in einem Haus, einer Garage, einem Keller, einem Kriechkeller, einem Fahrzeug, einem Anhänger, einem Boot oder einem geschlossenen bzw. teilweise geschlossenen Raum laufen lassen.
- Einen Generator niemals in der Nähe von offenen Türen, Fenstern, Lüftungsschächten oder Luken laufen lassen.
- Beim Verdacht, Kohlenmonoxid eingeatmet zu haben, an die frische Luft gehen und sofort einen Arzt aufsuchen.

Erste Anzeichen einer Kohlenmonoxidvergiftung sind Kopfschmerzen, Müdigkeit, Kurzatmigkeit, Übelkeit und Schwindel. Eine anhaltende Belastung durch Kohlenmonoxid kann zum Verlust der Muskelkoordination, zur Bewusstlosigkeit und zum Tod führen.

GENERATORSICHERHEIT

Gefahr durch Stromschläge

Der Generator erzeugt genug Strom, um bei einem unsachgemäßen Betrieb einen schweren Schlag oder Stromschlag zu verursachen.

- Nicht bei Nässe bedienen. Den Generator trocken halten.
 - Nicht bei Regen oder Schnee bedienen.
 - Nicht in der Nähe eines Schwimmbeckens oder einer Sprinkleranlage bedienen.
 - Nicht mit nassen Händen bedienen.
- Wenn der Generator im Freien ungeschützt vor Witterungseinflüssen gelagert wird, vor jedem Gebrauch alle elektrischen Teile am Bedienfeld prüfen. Feuchtigkeit oder Eis können zu Fehlfunktionen oder Kurzschlüssen in elektrischen Teilen führen, die einen Stromschlag verursachen können.
- Nicht an das elektrische System eines Gebäudes anschließen, außer es wurde ein Trennschalter von einem qualifizierten Elektriker eingebaut.
- Zwei EU32i-Generatoren für den Parallelbetrieb nur mit einem von Honda zugelassenen Parallelkabel (Sonderausstattung) anschließen.
- Niemals verschiedene Generatormodelle anschließen.
- Bei einem Stromschlag einen Arzt aufsuchen und sofort ärztlich behandeln lassen.

Gefahr durch Brände und Verbrennungen

- Die Abgasanlage wird so heiß, dass sich einige Materialien entzünden können.
 - Den Generator während des Betriebs mindestens 1 Meter von Gebäuden, Fahrzeugen, Anhängern, Booten oder anderen Gegenständen fernhalten.
 - Den Generator nicht in einem Gebäude laufen lassen.
 - Brennbare Materialien vom Generator fernhalten.
 - Keine Einlass- bzw. Auslassöffnungen, Schläuche, Anschlüsse oder die Luft in den Generator bzw. vom Generator weg blockieren.
 - Keine Abdeckungen, Platten, Verkleidungen oder Riemen anfügen, abnehmen oder ändern.
- Einige Teile des Verbrennungsmotors sind sehr heiß. Es besteht Verbrennungsgefahr. Die Warnhinweise am Generator beachten.
- Der Schalldämpfer wird während des Betriebs sehr heiß und bleibt auch nach dem Abstellen des Motors noch eine Weile heiß. Solange der Schalldämpfer heiß ist, darauf achten, ihn nicht zu berühren. Vor der Lagerung des Generators den Motor abkühlen lassen.
- Beim Löschen eines Brands Wasser nicht direkt über den Generator gießen. Einen speziell für elektrische oder Ölbrände geeigneten Feuerlöscher einsetzen.
- Wenn beim Löschen eines versehentlichen Generatorbrands Rauchgase eingeatmet wurden, sofort in ärztliche Behandlung begeben.

Vorsichtig auftanken

Benzin ist hochentzündlich. Benzindämpfe können explodieren.

- Während des Betriebs nicht auftanken.
- Wenn der Motor in Betrieb war, abkühlen lassen.
- Nur im Freien in einem gut belüfteten Bereich und auf einer ebenen Fläche tanken.
- Niemals in der Nähe von Benzin rauchen. Sonstiges Feuer und Funken ebenfalls fernhalten.
- Den Kraftstofftank nicht überfüllen.
- Vor dem Start des Motors darauf achten, dass verschütteter Kraftstoff aufgewischt und benetzte Flächen gereinigt worden sind.
- Benzin stets in einem zugelassenen Behälter aufbewahren.

GENERATORSICHERHEIT

Explosionssgeschützt

Dieser Generator ist nicht explosionsgeschützt.

Gefahr bei Fahrzeugen und beim Transport

- Beim Transport den Kraftstoff aus dem Kraftstofftank ablassen.
- Den Generator nicht beim Transport oder auf einem Fahrzeug, Anhänger oder Boot laufen lassen.
- Den Generator nicht in einem Lagerungs-, Fracht- oder Sicherheitsgehäuse einschließlich eines Generatorfelds für Wohnmobile laufen lassen.
- Den Generator während des Betriebs stets vollständig von Fahrzeugen, Wohnmobilen, Lastwagen, Anhängern, Booten, anderen Gegenständen oder Gebäuden entfernen.
- Der Generator muss während des Betriebs fest stehen bleiben.

Entsorgung

Zum Schutz der Umwelt gebrauchte Generatoren, Batterien, Motoröl usw. nicht achtlos im Hausmüll entsorgen.

Die örtlichen Gesetze bzw. Vorschriften beachten oder an einen autorisierten Honda Generator-Fachhändler wenden, um diese Teile zu entsorgen.

Gebrauchtes Motoröl umweltgerecht entsorgen. Es sollte in einem verschlossenen Behälter zur Aufarbeitung zu einem örtlichen Fachhandel gebracht werden. Nicht im Müll entsorgen und nicht auf den Boden schütten.

Eine unsachgemäß entsorgte Batterie kann der Umwelt schaden. Stets die örtlichen Vorschriften zur Batterieentsorgung lesen. Für einen Ersatz an einen Fachhändler wenden.

Den Generator entsorgen



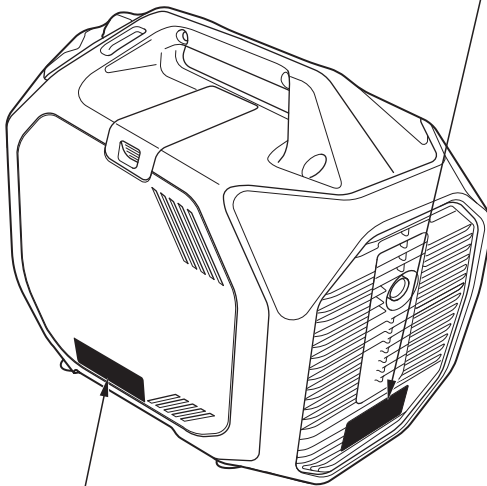
Elektrogeräte nicht zusammen mit dem Hausmüll entsorgen. Wenn Elektrogeräte auf Mülldeponien entsorgt werden, können Stoffe austreten, reagieren und in die Nahrungskette gelangen. Dies schadet Ihrer Gesundheit und Ihrem Wohlbefinden. Für weitere Informationen zur Entsorgung dieses Produkts an einen Fachhändler oder die nächstgelegene Müllabfuhr wenden.

POSITIONEN DER SICHERHEITSETIKETTEN

Diese Etiketten warnen vor möglichen Gefahren, die zu schweren Verletzungen führen können. Die Etiketten sorgfältig durchlesen.

Wenn sich ein Etikett löst oder schwer lesbar ist, an einen Fachhändler für ein Ersatzetikett wenden.

VORSICHT HEISS



BEDIENUNGSANLEITUNG
LESEN



VORSICHT ABGASE



VORSICHT
KRAFTSTOFF

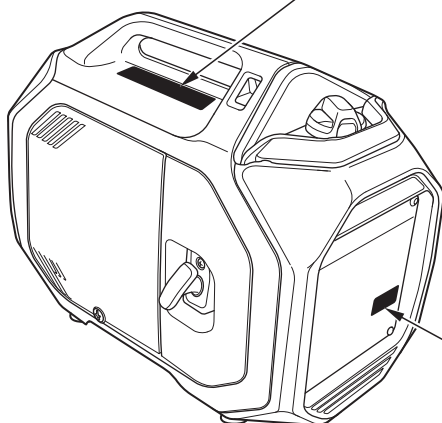
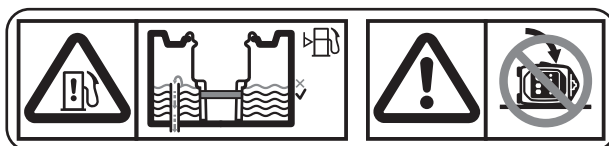


VORSICHT
ANSCHLUSS

GENERATORSICHERHEIT

NICHT ÜBERFÜLLEN

NICHT KIPPEN



VORSICHT BUCHSE





- Eine heiße Abgasanlage kann zu schweren Verbrennungen führen.
Wenn der Motor in Betrieb war, nicht berühren.



- Wenn der Honda Generator gemäß den Anweisungen betrieben wird, ist er für einen sicheren und zuverlässigen Betrieb ausgelegt. Vor der Inbetriebnahme des Generators die Bedienungsanleitung sorgfältig durchlesen. Ansonsten kann es zu Personen- oder Sachschäden kommen.



- Abgase enthalten giftiges Kohlenmonoxid. Das ist ein farbloses, geruchloses Gas. Das Einatmen von Kohlenmonoxid kann zu Bewusstlosigkeit oder zum Tod führen.
- Wenn der Generator in einem geschlossenen oder sogar teilweise geschlossenen Raum läuft, kann die Atemluft eine gefährliche Menge an Abgasen enthalten.
- Den Generator niemals in einer Garage, einem Haus oder in der Nähe von offenen Fenstern bzw. Türen laufen lassen.

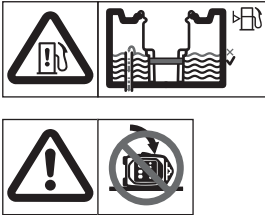


- Benzin ist hochentzündlich und explosiv. Vor dem Auftanken den Motor abstellen und abkühlen lassen.

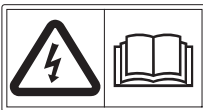
GENERATORSICHERHEIT



- **Unsachgemäße Anschlüsse an das elektrische System eines Gebäudes können dazu führen, dass Strom vom Generator in die Versorgungsleitungen zurückgespeist wird. So eine Rückspeisung kann bei Mitarbeitern von Versorgungsunternehmen oder anderen, die während eines Stromausfalls mit den Leitungen in Kontakt kommen, zu Stromschlägen führen. Wenn die Stromversorgung wiederhergestellt wird, kann der Generator explodieren, brennen oder einen Brand verursachen. Vor dem Herstellen von Stromanschlüssen an das Versorgungsunternehmen oder einen qualifizierten Elektriker wenden.**

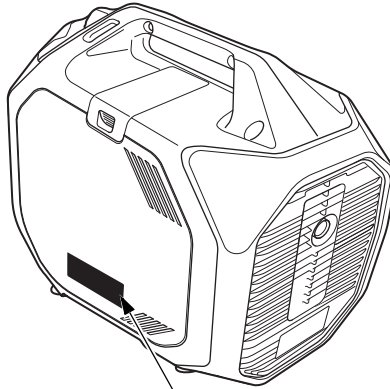


- **Den Tank nicht über die rote Grenzmarkierung hinaus auftanken. Das Überfüllen oder Umkippen des Generators kann dazu führen, dass Kraftstoff durch das Entlüftungsrohr fließt. Dadurch kann es austreten einen Brand verursachen. Dies kann zu Verbrennungen oder schweren Verletzungen führen.**



- **Die Anschlussdose für den Parallelbetrieb bei stehendem Motor anbringen und abnehmen.**
- **Für den Einzelbetrieb muss die Anschlussdose für den Parallelbetrieb abgenommen werden.**

- CE-Kennzeichnung, UKCA-Kennzeichnung und Positionen der Lärmetiketten



CE-KENNZEICHNUNG, UKCA-KENNZEICHNUNG und LÄRMETIKETTEN

LÄRMETIKETTEN

Leistungsstufe

Name und Anschrift des Herstellers

Qualitätsklasse

CE Low-power generating set EN ISO 8528-13

UKCA

Maximum power	MAX 3.2 kW	50 Hz	G1
Rated power	COP 2.6 kW	230 V	A
Rated power factor	1.0	11.3 A	IP23M
Year of Mfg.		Mass	kg

Herstellungsjahr

IP-Code

Trockenmasse (Gewicht)

Name und Anschrift des autorisierten Vertreters

Name und Anschrift des Herstellers sowie Bevollmächtigten sind in dieser Bedienungsanleitung in der INHALTSÜBERSICHT „Konformitätserklärung“ aufgeführt.

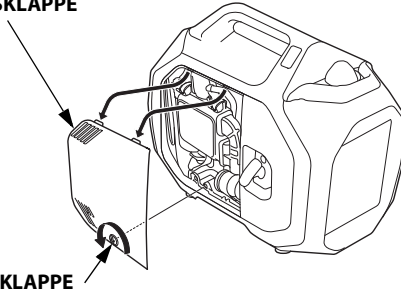
ANWEISUNGEN FÜR DIE ERSTINBETRIEBNAHME

MOTORÖL

Der Generator wird **OHNE ÖL** im Motor geliefert.

1. Den Generator auf eine ebene Oberfläche stellen.
2. Die Schraube der Wartungsklappe lösen. Die Wartungsklappe abnehmen.

WARTUNGSKLAPPE



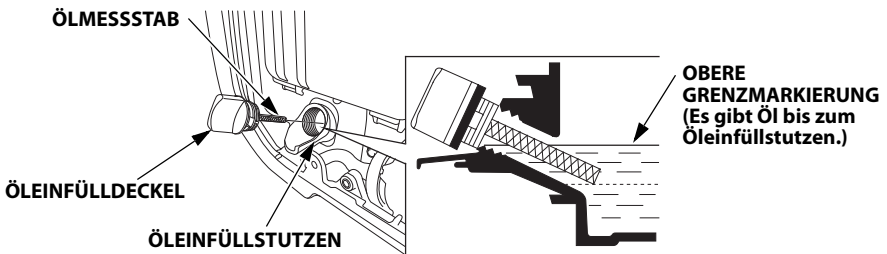
SCHRAUBE DER WARTUNGSKLAPPE

3. Den Öleinfülldeckel bei waagrecht ausgerichtetem Generator abschrauben und ihn dazu nach links drehen.
4. So viel Öl einfüllen, dass der Ölstand bis zur Obergrenze des Öleinfüllstutzens reicht. Für den allgemeinen Gebrauch wird SAE10W-30 API-Wartungsklasse SE oder höher (oder gleichwertig) empfohlen; weitere Empfehlungen (auf Seite 17).

Maximale Ölkapazität: 0,46 L

Nicht zu viel Öl in den Motor füllen. Wenn der Motor überfüllt ist, kann sich das überschüssige Öl auf das Luftfiltergehäuse und den Luftfilter verteilen.

5. Den Öleinfülldeckel fest zuschrauben.



6. Die Wartungsklappe wieder anbringen. Die Schraube der Wartungsklappe fest anziehen.

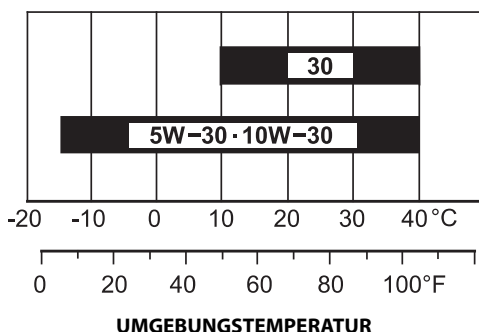
ANWEISUNGEN FÜR DIE ERSTINBETRIEBNAHME

EMPFEHLUNGEN FÜR MOTORÖL

Öl ist ein wichtiger Faktor, der die Leistung und Betriebsdauer beeinflusst. Waschaktives 4-Takt-Autoöl verwenden.

Für den allgemeinen Gebrauch wird SAE 10W-30 empfohlen. Eventuell ist je nach Durchschnittstemperatur in Ihrer Region eine andere Viskosität erforderlich, siehe Tabelle.

Zur Aufrechterhaltung der Leistung des Abgasreinigungssystems erforderliche Schmierölspezifikationen: Honda Originalöl.



Vor dem Betrieb die Anweisungen auf dem Ölbehälter lesen.

Die SAE-Ölviskosität und die API-Wartungsklasse sind im API-Etikett auf dem Ölbehälter angegeben. Honda empfiehlt Öl der API-Wartungsklasse SE oder höher (oder gleichwertig).

ANWEISUNGEN FÜR DIE ERSTINBETRIEBNAHME

KRAFTSTOFF

Den Generator in einem gut belüfteten Bereich tanken. Nur im Freien tanken. Benzin von Geräten wie Zündflammen, Grills, Elektrogeräten, Elektrowerkzeugen usw. fern. Verschütteter Kraftstoff ist nicht nur eine Brandgefahr, sondern verursacht auch Umweltschäden. Vorsichtig tanken, um kein Kraftstoff zu verschütten. Verschütteten Kraftstoff sofort aufwischen. Nicht mehr in den Kraftstofftank füllen als über die obere Füllstandmarkierung (rot) am Kraftstoffsieb hinaus. Den Tankdeckel nach dem Tanken fest zuschrauben.

Bei Bedarf auf der Tankanzeige den Kraftstoffstand bei abgestelltem Motor ablesen. Bei niedrigem Kraftstoffstand warten, bis der Generator abgekühlt ist. Den Kraftstofftank auftanken.

Dieser Motor ist für den Betrieb mit bleifreiem Benzin mit einer Research-Oktananzahl von 89 oder höher zertifiziert. Weitere Kraftstoffempfehlungen gibt es unter "EMPFEHLUNGEN FÜR KRAFTSTOFF" (auf Seite 20).

WARNUNG

Benzin ist hochentzündlich und explosiv.

Der Umgang mit Kraftstoff kann zu Verbrennungen oder schweren Verletzungen führen.

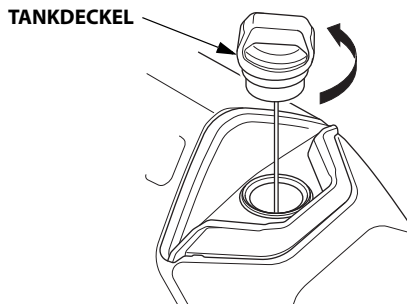
- Vor dem Umgang mit Kraftstoff den Motor abstellen und abkühlen lassen.
- Hitze, Funken und Feuer fernhalten.
- Mit Kraftstoff nur im Freien umgehen.
- Von Ihrem Fahrzeug fern halten.
- Verschütteten Kraftstoff sofort aufwischen.

ACHTUNG

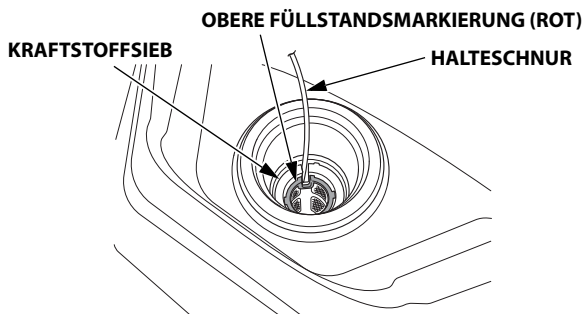
Kraftstoff kann den Lack und Kunststoff beschädigen. Beim Auftanken des Kraftstofftanks darauf achten, keinen Kraftstoff zu verschütten. Durch verschütteten Kraftstoff verursachte Schäden fallen nicht unter die Garantie.

ANWEISUNGEN FÜR DIE ERSTINBETRIEBNAHME

1. Den Tankdeckel abschrauben.



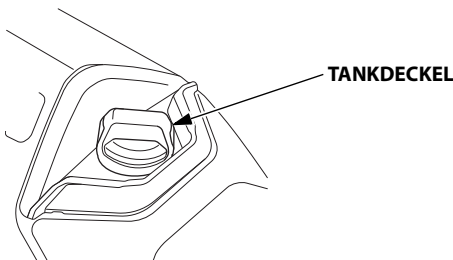
2. Vorsichtig tanken, um kein Kraftstoff zu verschütten. Nicht mehr in den Kraftstofftank füllen als über die obere Füllstandsmarkierung (rot) am Kraftstoffsieb hinaus.



ACHTUNG

Kraftstoff kann den Lack und Kunststoff beschädigen. Beim Auftanken des Kraftstofftanks darauf achten, keinen Kraftstoff zu verschütten. Durch verschütteten Kraftstoff verursachte Schäden fallen nicht unter die Garantie.

3. Den Tankdeckel nach dem Auftanken fest zuschrauben, bis er hörbar einrastet.



Vor dem Motorstart den Generator mindestens 3 Meter von der Kraftstoffquelle und dem Einsatzort wegbewegen.

ANWEISUNGEN FÜR DIE ERSTINBETRIEBNAHME

EMPFEHLUNGEN FÜR KRAFTSTOFF

Dieser Motor ist für den Betrieb mit bleifreiem Benzin mit einer Research-Oktananzahl von 89 oder höher zertifiziert.

Zur Aufrechterhaltung der Leistungsfähigkeit des Abgasreinigungssystems erforderliche Kraftstoffspezifikation(en): E10-Kraftstoff gemäß EU-Verordnung.

Nur bleifreies Benzin verwenden, da der Katalysator sonst seine Wirksamkeit verliert und sich negativ auf die Abgasemissionen auswirkt.

Niemals abgestandenes, verschmutztes oder ein Öl-Benzin-Gemisch verwenden. In den Kraftstofftank darf kein Schmutz oder Wasser gelangen.

Es kann bleifreies Normalbenzin verwendet werden, das nicht mehr als 10 % Ethanol (E10) oder 5 % Methanol enthält. Außerdem muss Methanol Cosolvens und Korrosionsinhibitoren enthalten.

Kraftstoffe mit einem höheren Ethanol- oder Methanolgehalt als oben angegeben können zu Start- und/oder Leistungsproblemen führen. Sie können auch Metall-, Gummi- und Kunststoffteile des Kraftstoffsystems beschädigen.

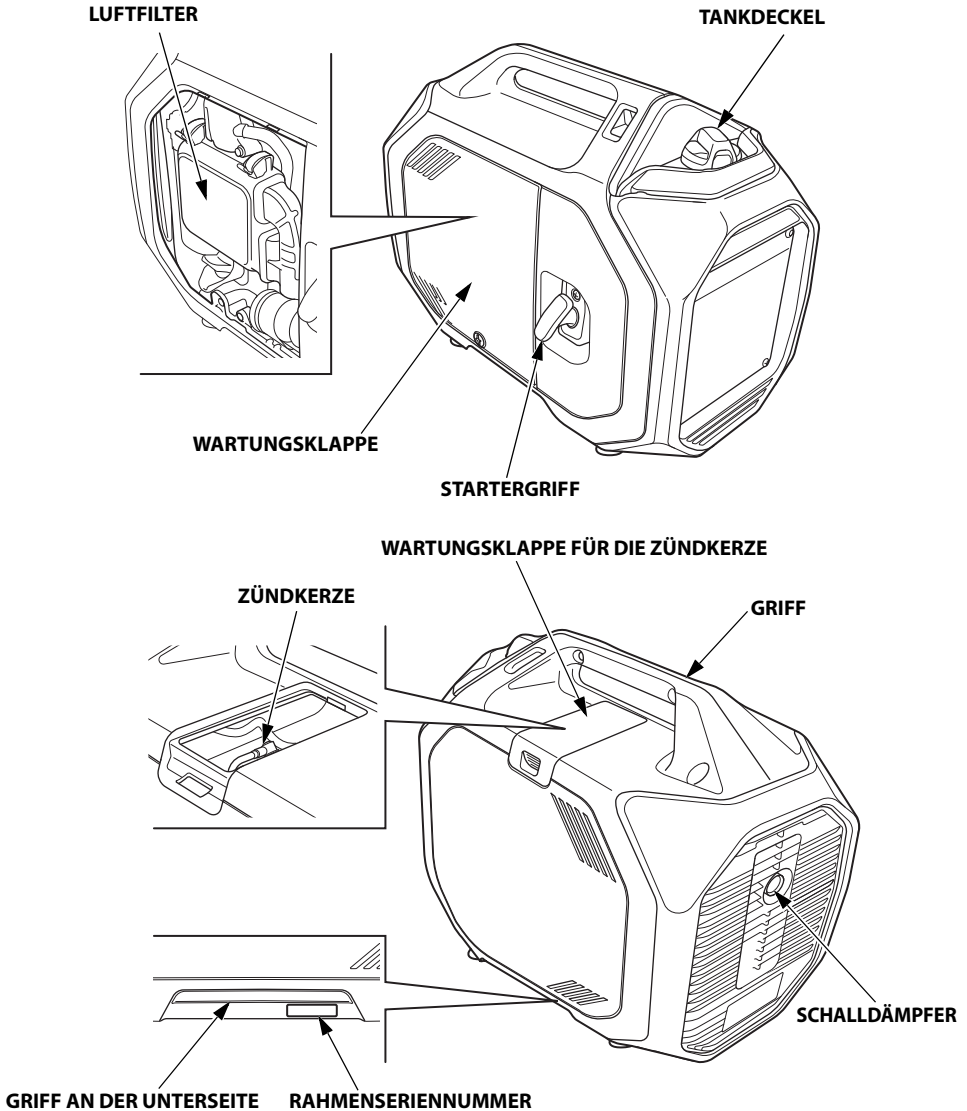
Motorschäden oder Leistungsprobleme, die aus der Verwendung eines Kraftstoffs mit einem höheren Ethanol- oder Methanolanteil als oben angegeben und verbleitem Benzin resultieren, fallen nicht unter die Garantie.

Wenn das Gerät nur selten verwendet wird, gibt es im Kapitel "LAGERUNG" im Abschnitt Kraftstoff (auf Seite 62) weitere Informationen zur Kraftstoffverschlechterung.

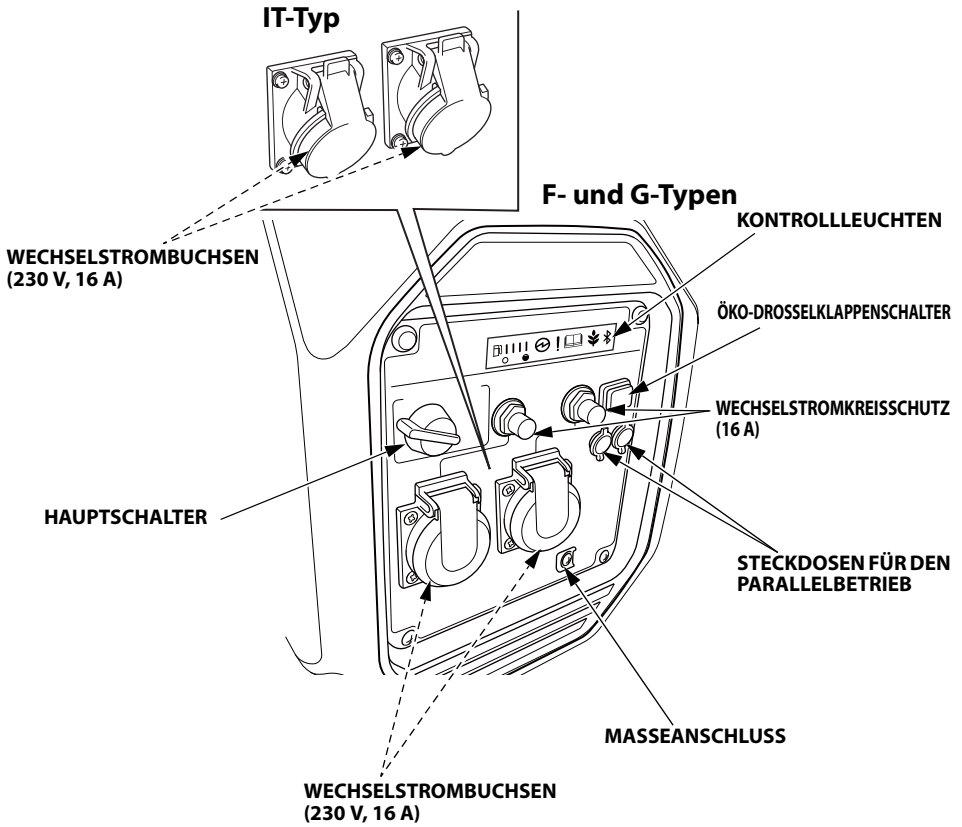
STEUERELEMENTE UND FUNKTIONEN

POSITIONEN VON TEILEN UND STEUERELEMENTEN

Anhand der Abbildungen auf diesen Seiten die am häufigsten verwendeten Steuerelemente finden und bestimmen.



STEUERELEMENTE UND FUNKTIONEN



STEUERELEMENTE

Hauptschalter

Mit dem Hauptschalter wird die Zündanlage gesteuert.

AUS: Der Motor wird abgestellt.

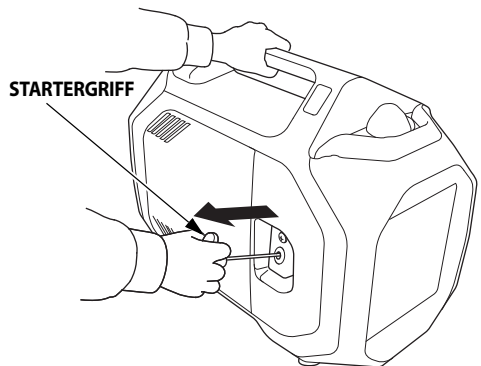
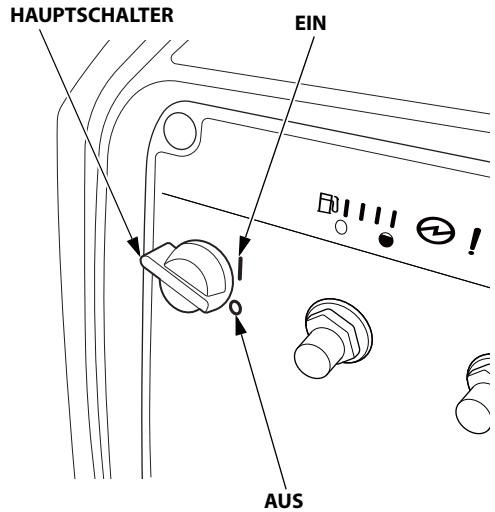
EIN: Leerlaufstellung und zum Starten mit dem Handstarter.

Startergriff

Durch Ziehen am Startergriff wird der Handstarter zum Motorstart betätigt.

ACHTUNG

Den Startergriff nicht gegen den Generator zurückschnappen lassen. Vorsichtig zurückgehen lassen, um Schäden am Anlasser zu vermeiden.



STEUERELEMENTE UND FUNKTIONEN

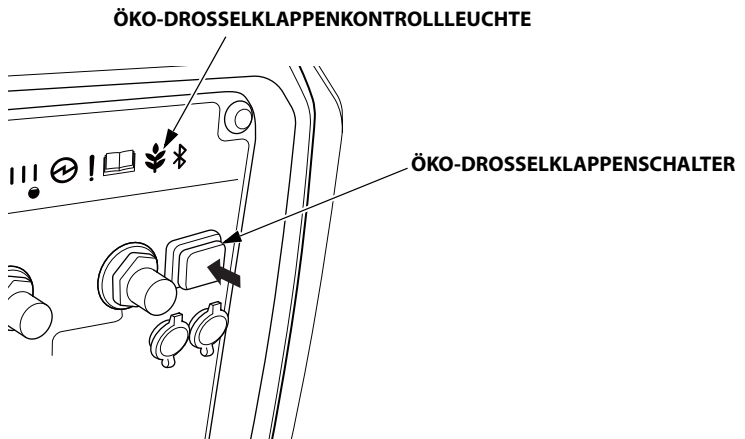
Öko-Drosselklappenschalter

Wenn Lasten ausgeschaltet oder getrennt werden, reduziert das Öko-Drosselklappensystem automatisch die Motordrehzahl. Wenn Geräte eingeschaltet oder wieder angeschlossen werden, springt der Motor auf die richtige Drehzahl zurück, um die elektrische Last zu versorgen.

Jedes Mal, wenn der Öko-Drosselklappenschalter gedrückt wird, wird das System ein- und ausgeschaltet.

Wenn gleichzeitig hohe elektrische Lasten angeschlossen sind, das Öko-Drosselklappensystem ausschalten, um Änderungen in der Spannung zu reduzieren.

Öko-Drosselklappensystem EIN	Kontrollleuchten an (grün) <ul style="list-style-type: none">• Empfohlen, um den Kraftstoffverbrauch zu minimieren und den Geräuschpegel weiter zu reduzieren, wenn der Generator nicht voll belastet wird.
Öko-Drosselklappensystem AUS	Kontrollleuchten aus <ul style="list-style-type: none">• Das Öko-Drosselklappensystem funktioniert nicht.



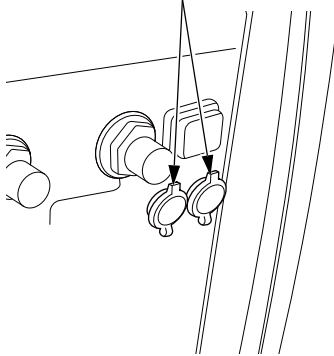
ÜBERLAST ZURÜCKSETZEN:

Wenn aufgrund einer Überlast kein Strom mehr erzeugt wird und die Überlastalarm-Kontrollleuchte blinkt, kann die Überlast zurückgesetzt werden. Wenn die Ursache der Überlast behoben wurde, kann die Stromerzeugung durch Drücken und Halten des Öko-Drosselklappenschalters (länger als 3 Sekunden) wieder aufgenommen werden.

Steckdosen für den Parallelbetrieb

An diesen Steckdosen können zwei EU32i-Generatoren für den Parallelbetrieb (siehe Seite 47 bis 49) angeschlossen werden. Für den Parallelbetrieb ist ein von Honda zugelassenes Parallelkabel (Sonderausstattung) erforderlich. So ein Kabel kann bei einem Fachhändler gekauft werden.

STECKDOSEN FÜR DEN PARALLELBEREIB



Wechselstromkreisschutz

Bei einem Kurzschluss oder einer erheblichen Überlast des Generators an jeder Buchse schaltet sich der Wechselstromkreisschutz automatisch aus. Wenn sich ein Wechselstromkreisschutz automatisch ausschaltet, vor dem Zurücksetzen des Wechselstromkreisschutz auf „EIN“ prüfen, ob das Gerät ordnungsgemäß funktioniert und die Nennlastkapazität des Stromkreises nicht überschreitet.

F- und G-Typen

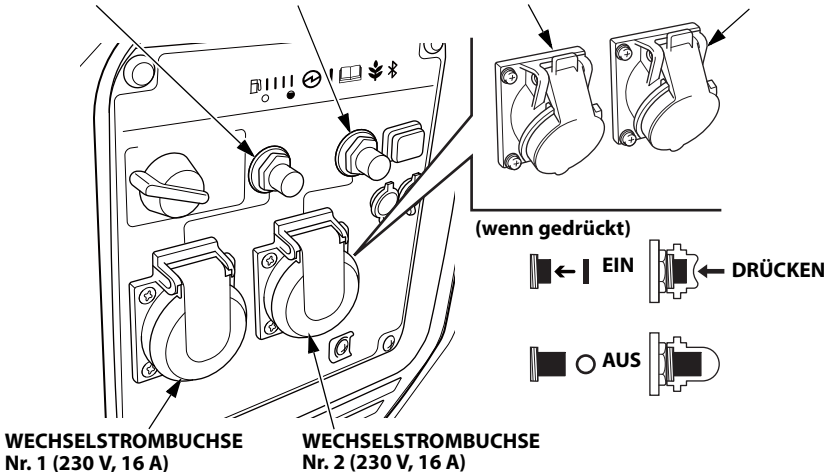
WECHSELSTROMKREISSCHUTZ
(16 A) (für Buchse Nr. 1)

WECHSELSTROMKREISSCHUTZ
(16 A) (für Buchse Nr. 2)

IT-Typ

WECHSELSTROMBUCHSE
Nr. 1 (230 V, 16 A)

WECHSELSTROMBUCHSE
Nr. 2 (230 V, 16 A)



WECHSELSTROMBUCHSE
Nr. 1 (230 V, 16 A)

WECHSELSTROMBUCHSE
Nr. 2 (230 V, 16 A)

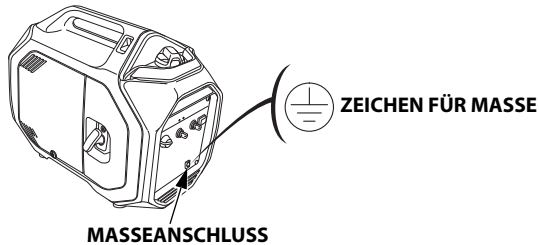
STEUERELEMENTE UND FUNKTIONEN

FUNKTIONEN

Masseanschluss

Der Masseanschluss des Generators ist mit dem Rahmen sowie den nicht leitenden Metallteilen des Generators und den Masseanschlüssen von jeder Buchse verbunden.

Vor der Verwendung des Masseanschlusses an einen qualifizierten Elektriker oder eine örtliche Behörde wenden, die für die örtlichen Vorschriften oder Verordnungen für den bestimmungsgemäßen Einsatz zuständig ist.



Der Generator erzeugt genug Strom, um bei einem unsachgemäßen Betrieb einen schweren Schlag oder Stromschlag zu verursachen.

Wenn das angeschlossene Gerät geerdet ist, muss der Generator geerdet werden.

Den Generatoranschluss mit einem Kupferdraht mit demselben oder größeren Durchmesser als das Kabel des angeschlossenen Geräts erden.

Ein Gerät mit einem Masseleiter mit einem Verlängerungskabelset mit einem Masseleiter anschließen.

Zur Bestimmung des Massestifts im Stecker die Buchsenseite auf Seite 76 aufschlagen.

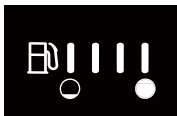
Tankanzeige

Die Tankanzeige ist ein mechanisches Gerät, das den Kraftstoffstand im Tank misst. Zur Verlängerung der Betriebszeit zu verlängern, vor dem Betrieb mit einem vollen Tank starten. Den Kraftstoffstand kontrollieren, wenn der Generator auf einer ebenen Oberfläche steht. Stets nur bei ausgeschaltetem und abgekühltem Motor auftanken.

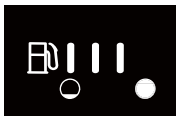


TANKANZEIGE

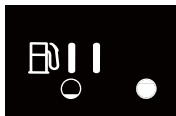
Anhand der Kontrollleuchte wird der Kraftstoffstand des Generators wie folgt angezeigt:



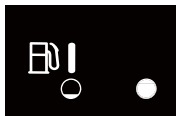
80 % oder mehr



60 – 80 %



40 – 60 %



20 – 40 %



20 % oder weniger

Ausgangskontrollleuchte

Wenn der Generator ordnungsgemäß funktioniert, leuchtet die Ausgangskontrollleuchte (grün). Dies bedeutet, dass der Generator an den Buchsen Strom erzeugt.

Darüber hinaus verfügt die Ausgangskontrollleuchte über eine vereinfachte Betriebsstundenzählerfunktion.

Beim Start des Motors blinkt die Kontrollleuchte entsprechend den kumulierten Betriebsstunden des Generators wie folgt:

- Kein Blinken: 0 – 100 Stunden
- Einmal Blinken: 100 – 200 Stunden
- Zweimal Blinken: 200 – 300 Stunden
- Dreimal Blinken: 300 – 400 Stunden
- Viermal Blinken: 400 – 500 Stunden
- Fünfmal Blinken: 500 Stunden oder mehr



AUSGANGSKONTROLLLEUCHE (GRÜN)

Überlastalarm (Kontrollleuchte)

Wenn der Generator überlastet ist (3,2 kVA) oder es in einem angeschlossenen Gerät zu einem Kurzschluss kommt, leuchtet die Überlastalarm-Kontrollleuchte (rot). Die Überlastalarm-Kontrollleuchte (rot) leuchtet weiterhin. Nach etwa 10 Sekunden bei Überlast oder etwa 5 Sekunden bei einem Kurzschluss wird den angeschlossenen Geräten kein Strom mehr zugeführt und die Ausgangsanzeige (grün) erlischt. Der Motor läuft jedoch weiter. Wenn die Überlastalarm-Kontrollleuchte (rot) durchgehend blinkt, den Öko-Drosselklappenschalter zum Zurücksetzen gedrückt halten (siehe Seite 24).



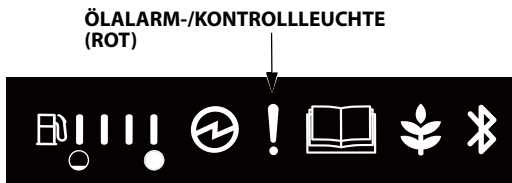
Ölalarm-/Kontrollleuchte

Durch die Ölalarmanlage sollen Motorschäden durch zu wenig Öl im Kurbelgehäuse verhindert werden. Bevor der Ölstand im Kurbelgehäuse unter einen sicheren Grenzwert sinken oder der Motor überhitzen kann, leuchtet die Ölalarm-/Kontrollleuchte (rot) und die Ölalarmanlage stellt den Motor automatisch ab (der Hauptschalter bleibt auf „EIN“).

Wenn der Motor beim Ziehen des Startergriffs stoppt oder die Ölalarm-/Kontrollleuchte (rot) leuchtet, vor der Fehlerbehebung in anderen Bereichen den Motorölstand kontrollieren (siehe Seite 36). Darüber hinaus sicherstellen, dass der Generator auf einer ebenen Oberfläche aufgestellt wird.

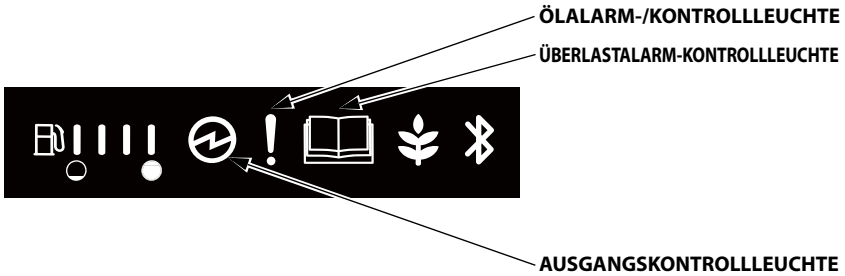
Der Motor kann aufgrund der Aktivierung der Ölalarmanlage stoppen, selbst wenn der Motorölstand beim Kippen des Generators normal ist.

Wenn die Ölalarm-/Kontrollleuchte (rot) durchgehend blinkt, deutet dies auf einen Fehler hin; an einen Fachhändler wenden.



STEUERELEMENTE UND FUNKTIONEN

LED-Lichtmuster



Status	Mögliche Ursache	Ausgangskontrollleuchte	Ölalarm-/ Kontrollleuchte	Überlastalarm- Kontrollleuchte
Normal	Funktioniert ordnungsgemäß	○	●	●
Fehlfunktion	Ausfall des Wechselrichters usw.	○/●/☼	☼	●
Nicht ordnungsgemäß	Überstrom des Ausgangs	●	●	○/☼
	Überhitzung des Wechselrichters	●	●	○
Warnung	<ul style="list-style-type: none"> • Motorölstand niedrig • Neigungserkennung • Motorüberhitzung 	●	○	●

- : EIN
- : AUS
- ☼: Blinkt

Weitere Informationen zur Fehlerdiagnose gibt es auf Seite 69 unter "UNERWARTETE PROBLEME BEHEBEN".

STEUERELEMENTE UND FUNKTIONEN

Bluetooth®-Funktion

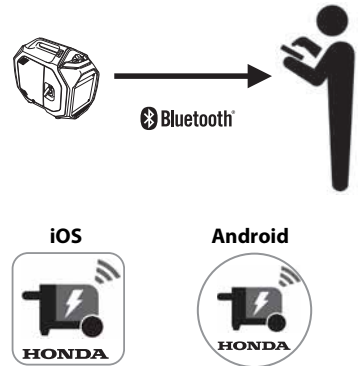
Der Generator ist über eine *Bluetooth*®-Verbindung mit einem Smartphone verbunden.

- Der Bereich zwischen dem *Bluetooth*®-fähigen Smartphone und dem Generator kann maximiert werden, wenn es eine klare, verbindungsfreie Sichtlinie zwischen Geräten gibt. Der Verbindungsabstand wird auch von der Art des verwendeten Smartphones und der jeweiligen Umgebung, den Gebäuden und den elektronischen Störungen beeinflusst.

Smartphone-Anwendung

Die Honda Smartphone-Anwendung „My Generator“ ist nur für den Einsatz mit Honda Generatoren ausgelegt, die mit der *Bluetooth*®-Technologie ausgestattet sind. Mit der Anwendung können diese bequemen Funktionen durchgeführt werden:

- Aus der Ferne abstellen:
Damit kann den Generatormotor aus der Ferne abgestellt werden.
- Das Öko-Drosselklappensystem kann aus der Ferne umgestellt werden.
- Aus der Ferne überwachen:
Zeigt den Leistungsausgangspiegel, verbleibenden Kraftstoffstand usw. an.
- Benachrichtigungen erhalten:
Kann Fehler- und Wartungswarnungen empfangen.



Die App herunterladen

Zum App Store (iOS) oder Google Play (Android) gehen und nach Honda „My Generator“ suchen, um die App herunterzuladen.

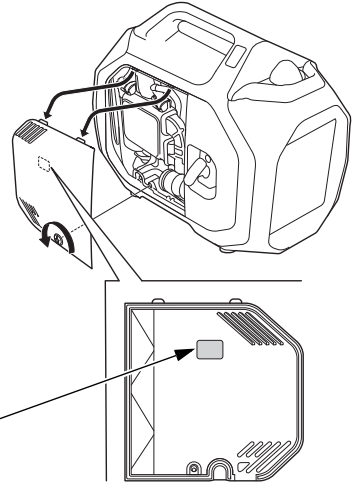
Kopplung (nur bei der ersten Verbindung)

Weitere Informationen zur Kopplung des Smartphones mit dem Generator gibt es in der Honda Smartphone-Anwendung „My Generator“ unter Support.

- Innerhalb von 30 Sekunden nach dem Starten des Motors koppeln.



BLUETOOTH-KONTROLLLEUCHTE



BLUETOOTH-KENNWORT

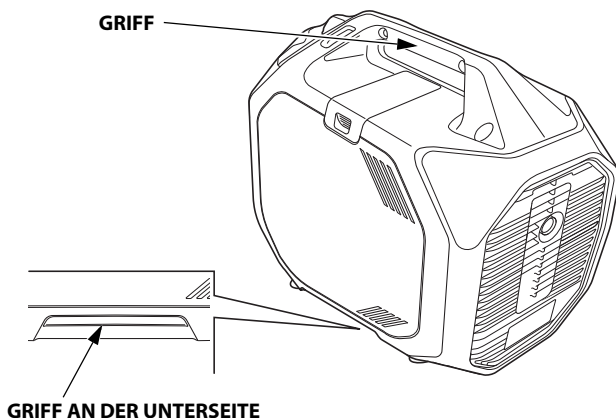
Anhand der Kontrollleuchte wird die *Bluetooth*®-Verbindung wie folgt angezeigt:

- AUS: Nicht verbunden
- Blinkt schnell: Fehlfunktion
- Blinkt langsam: Kopplung verfügbar
- EIN: Verbunden

STEUERELEMENTE UND FUNKTIONEN

Griff und Griff an der Unterseite

Beim Anheben des Generators den Griff mit der Hand packen.
Zusätzlich zu diesem Griff kann der Generator bei Bedarf mit der anderen Hand am Griff an der Unterseite angehoben werden.



VOR DEM BETRIEB

BEREIT, LOSZULEGEN?

Bediener sind für ihre Sicherheit verantwortlich. Ein wenig Vorbereitung wird das Verletzungsrisiko erheblich reduzieren.

Kenntnisse

Diese Anleitung sorgfältig durchlesen. Bediener müssen die Funktionen der Steuerelemente kennen und wie sie bedient werden.

Bediener müssen sich vor dem Einsatz mit dem Generator und der Bedienung vertraut machen. Bediener müssen wissen, wie sie den Generator im Notfall schnell abstellen können.

Wenn der Generator an Stromgeräten verwendet wird, sicherstellen, dass sie die Nennlast des Generators nicht überschreiten (siehe Seiten 46 und 49).

IST DER GENERATOR BETRIEBSBEREIT?

Für die eigene Sicherheit, Einhaltung der Umweltvorschriften und Maximierung der Betriebsdauer der Geräte muss vor der Bedienung des Generators etwas Zeit genommen werden, um den Betriebszustand zu prüfen. Darauf achten, vor der Bedienung des Generators vorhandene Probleme selbst zu beheben oder von einem Fachhändler beheben zu lassen.

WARNUNG

Wenn dieser Generator nicht ordnungsgemäß gewartet oder Probleme vor dem Betrieb nicht behoben werden, kann dies zu erheblichen Fehlfunktionen führen.

Einige Fehlfunktionen können zu schweren Verletzungen oder zum Tod führen.

Vor jedem Betrieb stets eine Inspektion durchführen und alle Probleme beheben.

VOR DEM BETRIEB

Damit es zu keinem Brand kommt, den Generator während des Betriebs mindestens 1 Meter von Gebäuden, Fahrzeugen oder anderen Gegenständen fernhalten. Keine brennbaren Gegenstände in die Nähe des Motors oder Auspuffs stellen.

Vor den Kontrollen vor dem Betrieb darauf achten, dass der Generator auf einer ebenen sowie festen Oberfläche und der Hauptschalter auf „AUS“ steht.

Den Motor prüfen

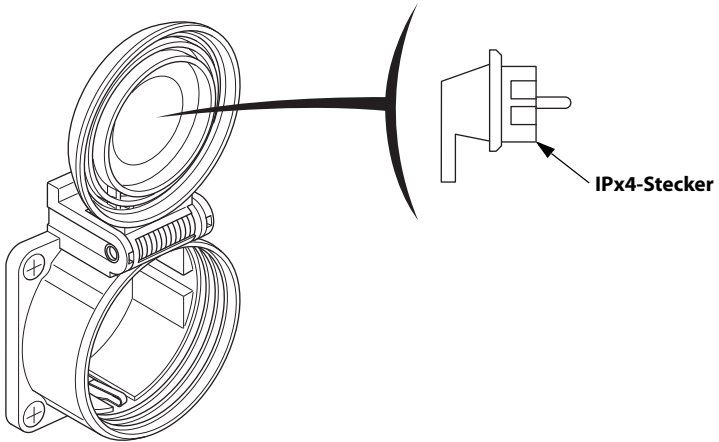
- Vor jedem Gebrauch den Bereich um den Motor und unter dem Motor auf Anzeichen untersuchen, dass Öl oder Benzin austritt.
- Den Füllstand des Motoröls kontrollieren (siehe Seite 36). Bei einem niedrigen Motorölstand wird der Motor durch die Ölarmanlage abgestellt.
- Die Luftfilter prüfen (siehe Seite 37). Schmutzige Luftfilter schränken den Luftstrom in die Kraftstoffanlage ein. Dies reduziert die Motor- und Generatorleistung.
- Den Füllstand des Kraftstoffs kontrollieren (siehe Seite 18). Mit einem vollen Tank zu starten kann die Betriebsunterbrechungen für das Auftanken beseitigen oder reduzieren.

Wechselstromgerät und Netzkabel

Vor dem Anschluss eines Wechselstromgeräts oder Netzkabels am Generator:

- Geerdete 3-Pin-Verlängerungskabel, Werkzeuge und Geräte oder doppelt isolierte Werkzeuge und Geräte verwenden.
- Kabel sowie Stecker prüfen und bei Schäden austauschen.
- Prüfen, ob das Gerät in gutem Betriebszustand ist. Ein defektes Gerät oder Netzkabel kann zu einem Stromschlag führen.
- Darauf achten, dass die elektrische Nennleistung des Werkzeugs oder Geräts die Nennleistung des Generators oder der Buchse nicht überschreitet.
- Nicht die für jede Buchse angegebene Stromgrenze überschreiten.
- Wenn ein Verlängerungskabel erforderlich ist, unbedingt ein robustes, flexibles Kabel mit einem harten Gummi (IEC 245 oder äquivalent) verwenden.
Bei Verwendung eines Verlängerungskabels darf der Widerstandswert $1,5 \Omega$ nicht überschreiten.

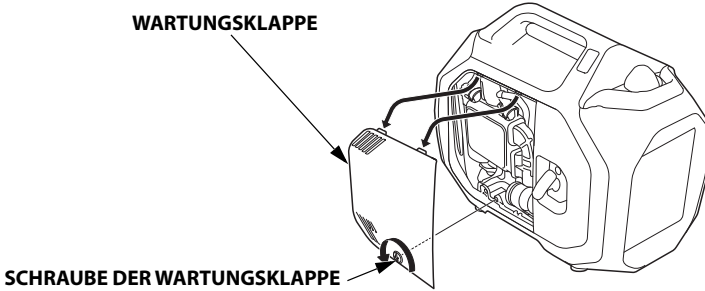
- Grenzlänge der Verlängerungskabel: 60 m für 1,5-mm²-Kabel und 100 m für 2,5-mm²-Kabel. Lange Verlängerungskabel verringern die verwendbare Leistung aufgrund des Widerstands im Verlängerungskabel.
- Den Generator von anderen elektrischen Kabeln oder Drähten ab, z. B. kommerziellen Stromversorgungsleitungen fernhalten.
- G-Typ
WARNUNG: Beim Anschließen eines abgewinkelten Steckers nur einen IPX4-Stecker verwenden.



FÜLLSTAND DES MOTORÖLS KONTROLLIEREN

Den Füllstand des Motoröls kontrollieren, wenn der Generator auf einer ebenen Oberfläche steht und der Motor abgestellt ist.

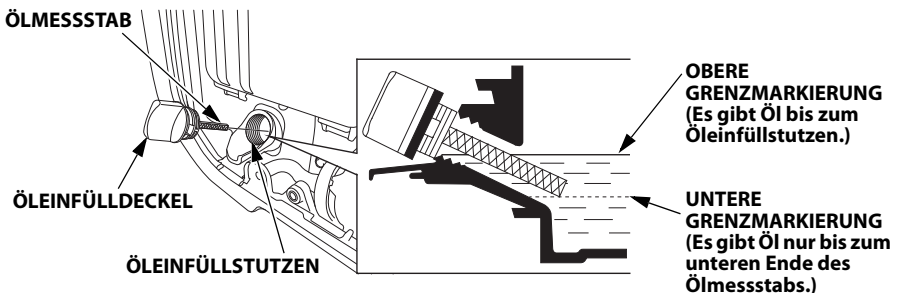
1. Die Schraube der Wartungsklappe lösen. Die Wartungsklappe abnehmen.



2. Den Öleinfülldeckel abschrauben und ihn dazu nach links drehen. Den Ölmesstab abwischen.
3. Den Ölmesstab wie gezeigt in den Öleinfüllstutzen einführen, jedoch nicht hineindrehen. Dann herausziehen und den Ölstand ablesen.
4. Wenn der Ölstand nahe oder unter der unteren Grenzmarkierung liegt, das empfohlene Öl bis zur oberen Grenzmarkierung auffüllen. Nicht überfüllen.
 - „Obere Grenzmarkierung“ bedeutet, dass es Öl bis zum Öleinfüllstutzen gibt.
 - „Untere Grenzmarkierung“ bedeutet, dass es Öl nur bis zum unteren Ende des Ölmesstabs gibt.Weitere Informationen stehen auf Seite 17 unter "EMPFEHLUNGEN FÜR MOTORÖL".

5. Den Öleinfülldeckel fest zuschrauben.

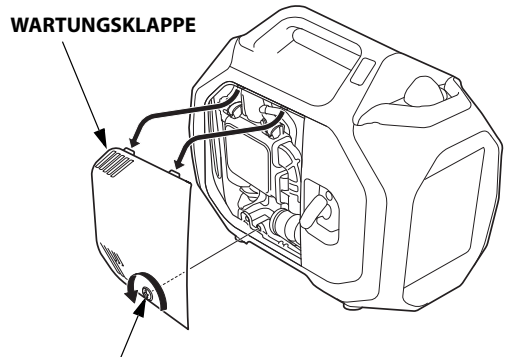
6. Die Wartungsklappe wieder anbringen. Die Schraube der Wartungsklappe fest anziehen.



Bevor der Ölstand unter sichere Grenzwerte sinkt, stellt die Ölalarmanlage den Motor automatisch ab. Um jedoch die Unannehmlichkeit eines unerwarteten Abstellens zu vermeiden, regelmäßig den Ölstand kontrollieren.

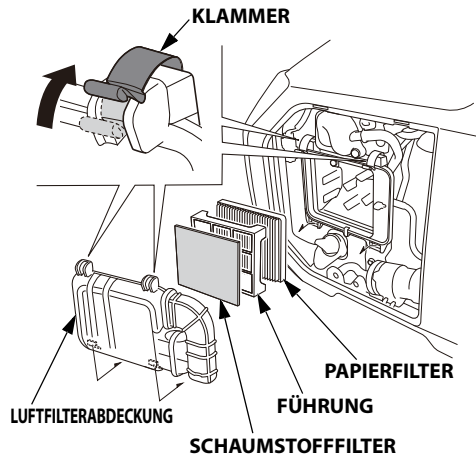
DEN LUFTFILTER PRÜFEN

1. Die Schraube der Wartungsklappe lösen. Die Wartungsklappe abnehmen.



2. Die Klammern der Luftfilterabdeckung lösen. Die Luftfilterabdeckung abnehmen.

3. Den Schaumstofffilter aus der Luftfilterabdeckung herausnehmen.



4. Prüfen, ob der Schaumstofffilter sauber und in gutem Zustand ist. Wenn der Schaumstofffilter verschmutzt ist, wie auf Seite 57 beschrieben reinigen. Den Schaumstofffilter austauschen, wenn er beschädigt ist.

5. Den Schaumstofffilter wieder in die Luftfilterabdeckung einsetzen.

6. Den Papierfilter aus der Führung herausnehmen.

7. Wenn der Papierfilter verschmutzt ist, durch einen neuen austauschen. Den Papierfilter nicht reinigen.

VOR DEM BETRIEB

8. Den Papierfilter und die Führung einsetzen und die Luftfilterabdeckung wieder anbringen.
9. Die Wartungsklappe wieder anbringen. Die Schraube der Wartungsklappe fest anziehen.

ACHTUNG

Wenn der Motor ohne Luftfilter oder mit beschädigtem Luftfilter betrieben wird, kann Schmutz in den Motor eindringen und einen schnellen Motorverschleiß verursachen. So ein Schaden fällt nicht unter die Garantie.

VORSICHTSMASSNAHMEN FÜR DEN SICHEREN BETRIEB

Vor der Bedienung des Generators die Kapitel unter "GENERATORSICHERHEIT" lesen (siehe Seite 6).

Zur eigenen Sicherheit den Generator nicht in einem geschlossenen bzw. teilweise geschlossenen Raum wie einer Garage (auch nicht bei geöffnetem Tor) oder in der Nähe von Gebäuden bzw. Fahrzeugen laufen lassen. Die Abgase des Generators enthalten giftiges Kohlenmonoxidgas, das sich in solchen Räumen, Gebäuden, Fahrzeugen, Anhängern oder Booten schnell ansammeln kann.

- Den Generator nicht in einem Lagerungs-, Fracht- oder Sicherheitsgehäuse einschließlich eines Generatorfelds für Wohnmobile laufen lassen.
- Den Generator während des Betriebs stets vollständig von Fahrzeugen, Wohnmobilen, Booten, anderen Gegenständen oder Gebäuden entfernen.
- Der Generator muss während des Betriebs fest stehen bleiben.

WARNUNG

Abgase enthalten giftiges Kohlenmonoxidgas, das sich in geschlossenen oder teilweise geschlossenen Räumen zu gefährlichen Konzentrationen anreichern kann.

Das Einatmen von Kohlenmonoxid kann zu Bewusstlosigkeit oder zum Tod führen.

Den Motor niemals in einem geschlossenen oder auch nur teilweise geschlossenen Raum laufen lassen.

BETRIEB

DEN MOTOR STARTEN

Damit es zu keinem Brand kommt, den Generator während des Betriebs mindestens 1 Meter von Gebäuden, Wohnmobilen, Fahrzeugen, Anhängern, Booten oder anderen Gegenständen fernhalten. Keine brennbaren Gegenstände in die Nähe des Motors oder Auspuffs stellen.

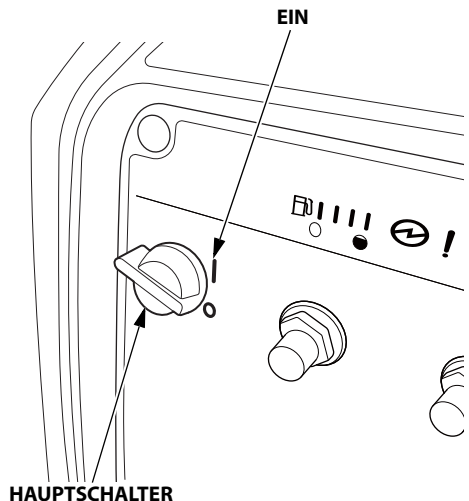
ACHTUNG

- *Der Betrieb dieses Generators in einer Entfernung von weniger als 1 Meter von einem Gebäude bzw. Hindernis oder wenn er sich in einem Raum, einem Lagerungs- oder Sicherheitsgehäuse befindet, kann zu Überhitzung und Beschädigung des Generators führen.*
- *Für eine ordnungsgemäße Kühlung mindestens 1 Meter über und um den Generator freihalten.
Alle Kühlöffnungen offen und frei von Schmutz, Schlamm, Wasser usw. halten. Kühlöffnungen befinden sich an der Seitenwand, dem Bedienfeld und der Unterseite des Generators. Wenn die Kühlöffnungen verstopft sind, kann der Generator überhitzen und Motor, Wechselrichter oder Wicklungen beschädigen.*

Weitere Informationen gibt es auf Seite 39 unter "VORSICHTSMASSNAHMEN FÜR DEN SICHEREN BETRIEB". Die Kontrollen unter "IST DER GENERATOR BETRIEBSBEREIT?" durchführen (auf Seite 33).

Weitere Informationen zum Anschließen von Lasten an den Generator gibt es unter "WECHSELSTROMBETRIEB" (auf Seite 44).

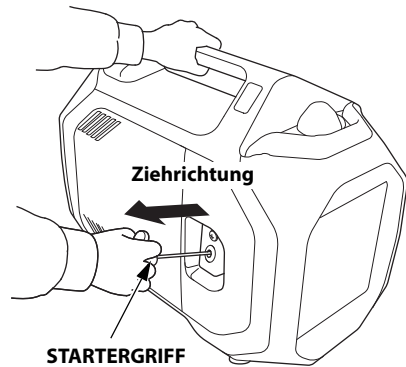
1. Kontrollieren, ob alle Geräte von der Wechselstrombuchse abgezogen wurden.
2. Den Hauptschalter auf „EIN“ schalten.



3. Leicht am Startergriff ziehen bis ein Widerstand zu spüren ist. Dann wie abgebildet kräftig in Pfeilrichtung ziehen.

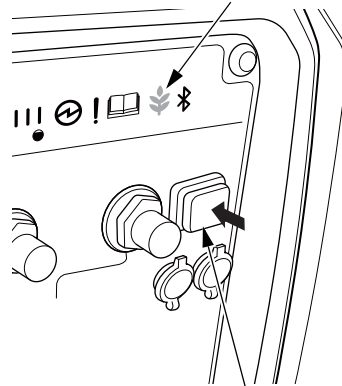
ACHTUNG

Den Startergriff nicht gegen den Generator zurückschnappen lassen. Vorsichtig zurückgehen lassen, um Schäden am Anlasser zu vermeiden.



4. Wenn das Öko-Drosselklappensystem nicht verwendet werden soll, auf den Öko-Drosselklappenschalter drücken und das Öko-Drosselklappensystem ausschalten.

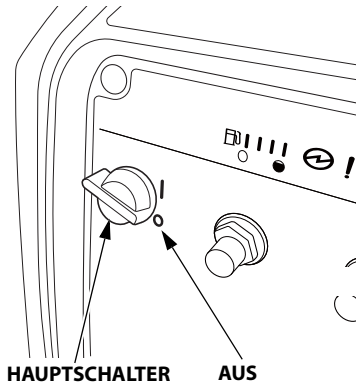
ÖKO-DROSSELKLAPPENKONTROLLEUCHE (AUS)



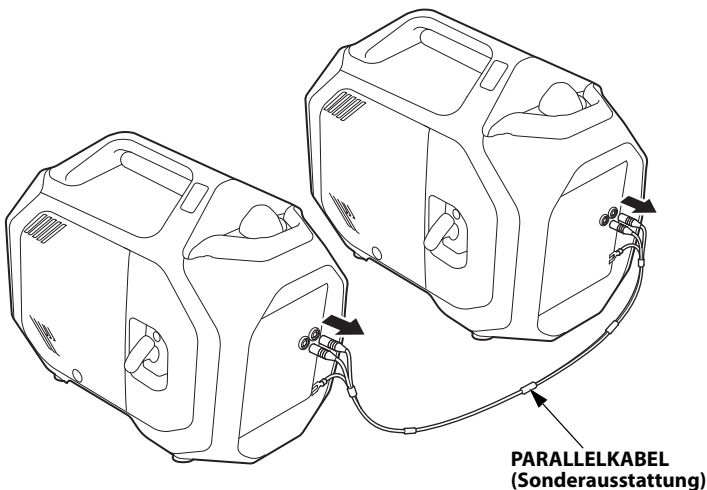
DEN MOTOR ABSTELLEN

Zum Abstellen des Motors im Notfall den Hauptschalter fest auf „AUS“ schalten. Unter normalen Bedingungen so vorgehen:

1. Alle an den Generator angeschlossenen Geräte ausschalten oder trennen.
2. Den Hauptschalter fest auf „AUS“ schalten.



3. Wenn für den Parallelbetrieb zwei Generatoren angeschlossen waren und der Parallelbetrieb nicht wieder aufgenommen werden soll, das Parallelkabel nach dem Abstellen der Motoren abziehen.



Wenn der Generator längere Zeit nicht verwendet wird, gibt es auf Seite 64 unter "DEN KRAFTSTOFFTANK ENTLEEREN" weitere Informationen.

DEN MOTOR MIT *BLUETOOTH*[®]-FÄHIGEM SMARTPHONE ABSTELLEN

Der Motor kann über ein *Bluetooth*[®]-fähiges Smartphone mit einer *Bluetooth*[®]-Anwendung abgestellt werden.

In der *Bluetooth*[®]-Anwendung die Verbindung, den Betrieb und Hilfe zum Koppeln eines Smartphones ansehen.

WECHSELSTROMBETRIEB

Wenn ein Gerät nicht mehr ordnungsgemäß funktioniert, langsam wird oder plötzlich stoppt, sofort ausschalten. Das Gerät vom Netz trennen und überprüfen, ob das Problem am Gerät liegt oder die Nennlastkapazität des Generators überschritten wurde.

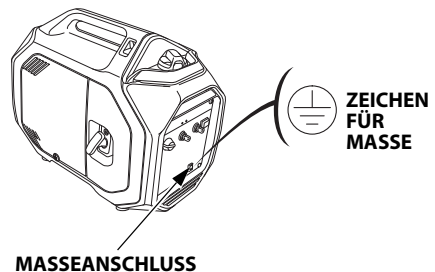
ACHTUNG

- *Eine erhebliche Überlast, bei der die Überlastalarm-Kontrollleuchte (rot) dauerhaft leuchtet, kann den Generator beschädigen. Eine geringfügige Überlast, bei der die Überlastalarm-Kontrollleuchte (rot) vorübergehend leuchtet, kann die Betriebsdauer des Generators verkürzen.*
- *Prüfen, ob alle Geräte vor dem Anschluss an den Generator in einwandfreiem Zustand sind. Bei Elektrogeräten (einschließlich Leitungen und Steckverbindungen) darf kein Defekt vorliegen. Wenn ein Gerät nicht mehr ordnungsgemäß funktioniert, langsam wird oder plötzlich stoppt, den Generator sofort über den Hauptschalter ausschalten. Das Gerät vom Netz trennen und auf Anzeichen von Fehlfunktionen überprüfen.*

Der Generator erzeugt genug Strom, um bei einem unsachgemäßen Betrieb einen schweren Schlag oder Stromschlag zu verursachen.

Wenn das angeschlossene Gerät geerdet ist, muss der Generator geerdet werden.

Den Generatoranschluss mit einem Kupferdraht mit demselben oder größeren Durchmesser als das Kabel des angeschlossenen Geräts erden.

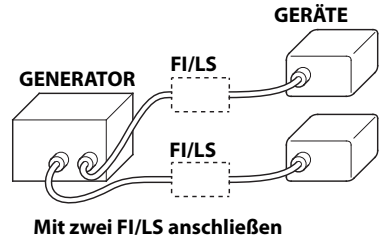
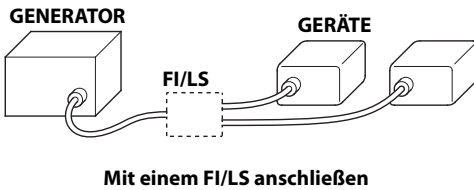


Ein Gerät mit einem Masseleiter mit einem Verlängerungskabelset mit einem Masseleiter anschließen.

Zur Bestimmung des Massestifts im Stecker die Buchsenseite auf Seite 76 aufschlagen.

Wenn zwei oder mehr Geräte betrieben werden, einen FI/LS (Fehlerstromschutzschalter mit Leistungsschutzschalter) mit 30 mA Erdschlusserkennung und einer Abschaltung von weniger als 0,4 Sekunden bei mehr als 30 A Ausgangsstrom anschließen.

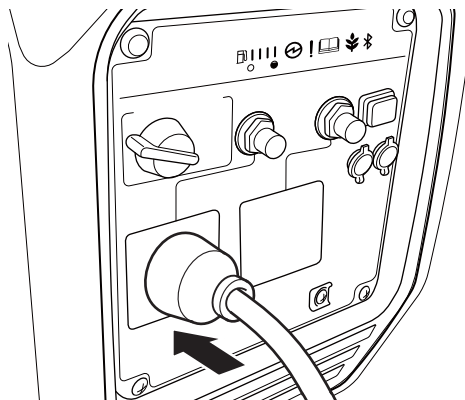
Vor dem Betrieb die Anweisungen des jeweiligen FI/LS-Herstellers beachten.



1. Den Motor starten (siehe Seite 40) und darauf achten, ob die Ausgangskontrollleuchte (grün) leuchtet.



2. Das Gerät einstecken.



3. Das Gerät einschalten.

Wenn der Generator überlastet ist (siehe Seite 46) oder es in einem angeschlossenen Gerät zu einem Kurzschluss kommt, leuchtet die Überlastalarm-Kontrollleuchte (rot). Die Überlastalarm-Kontrollleuchte (rot) leuchtet weiterhin. Nach etwa 10 Sekunden bei Überlast oder etwa 5 Sekunden bei einem Kurzschluss wird den angeschlossenen Geräten kein Strom mehr zugeführt und die Ausgangsanzeige (grün) erlischt. Den Motor abstellen und das Problem untersuchen.

Überprüfen, ob die Ursache ein Kurzschluss in einem angeschlossenen Gerät oder eine Überlast ist. Das Problem beheben und den Generator neu starten.

Wechselstromanwendungen

Vor dem Anschluss eines Geräts oder Netzkabels am Generator:

- Prüfen, ob das Gerät in gutem Betriebszustand ist. Ein defektes Gerät oder Netzkabel kann zu einem Stromschlag führen.
- Wenn ein Gerät nicht mehr ordnungsgemäß funktioniert, langsam wird oder plötzlich stoppt, sofort ausschalten. Das Gerät vom Netz trennen und überprüfen, ob das Problem am Gerät liegt oder die Nennlastkapazität des Generators überschritten wurde.

Die meisten Gerätemotoren benötigen zum Starten mehr als die Nennleistung. Darauf achten, dass die elektrische Nennleistung des Werkzeugs oder Geräts die maximale Nennleistung des Generators nicht überschreitet.

Die maximale Leistung beträgt:

3,2 kVA

Bei Dauerbetrieb die Nennleistung nicht überschreiten.

Die Nennleistung beträgt:

2,6 kVA

In jedem Fall muss der Gesamtleistungsbedarf (VA) aller angeschlossenen Geräte berücksichtigt werden. Hersteller von Geräten und Elektrowerkzeugen listen in der Regel neben der Modell- oder Seriennummer die Bewertungsinformationen.

ACHTUNG

Eine erhebliche Überlast, bei der die Überlastalarm-Kontrollleuchte (rot) dauerhaft leuchtet, kann den Generator beschädigen. Eine geringfügige Überlast, bei der die Überlastalarm-Kontrollleuchte (rot) vorübergehend leuchtet, kann die Betriebsdauer des Generators verkürzen.

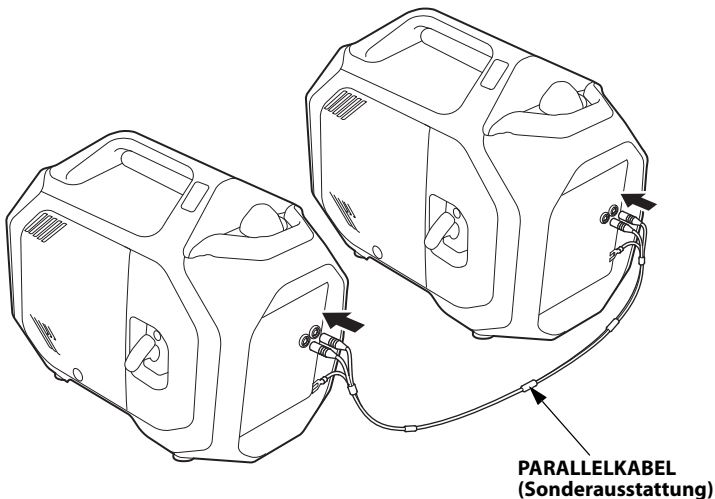
WECHSELSTROMPARALLELBETRIEB

Vor dem Anschluss eines Geräts an einen der Generatoren prüfen, ob das Gerät in gutem Betriebszustand ist und die elektrische Nennleistung die der Buchse nicht überschreitet.

Die meisten motorisierten Geräte benötigen zum Starten mehr als die elektrische Nennleistung. Wenn ein Elektromotor gestartet wird, leuchtet die Überlastalarm-Kontrollleuchte (rot) möglicherweise. Dies ist normal, sofern die Überlastalarm-Kontrollleuchte (rot) innerhalb von 4 Sekunden erlischt. Wenn die Ölalarm-/Kontrollleuchte (rot) durchgehend blinkt, an einen autorisierten Honda Fachhändler wenden.

Im Parallelbetrieb muss sich der Öko-Drosselklappenschalter an beiden Generatoren in der gleichen Position befinden.

1. Die beiden EU32i-Generatoren gemäß den im Lieferumfang des Kabels enthaltenen Anweisungen mit dem Parallelkabel anschließen.



2. Die Motoren starten (siehe Seite 40) und darauf achten, ob die Ausgangskontrollleuchte (grün) an jedem Generator leuchtet (siehe Seite 44).

3. Das Gerät gemäß der im Lieferumfang des Parallelkabels enthaltenen Anleitung einstecken.
4. Das Gerät einschalten.

Wenn die Generatoren überlastet sind (siehe Seite 49) oder es in einem angeschlossenen Gerät zu einem Kurzschluss kommt, leuchtet die Überlastalarm-Kontrollleuchte (rot). Die Überlastalarm-Kontrollleuchte (rot) leuchtet weiterhin. Nach etwa 10 Sekunden bei Überlast oder etwa 5 Sekunden bei einem Kurzschluss wird den angeschlossenen Geräten kein Strom mehr zugeführt und die Ausgangsanzeige (grün) erlischt. Beide Motoren abstellen und das Problem untersuchen.

Überprüfen, ob die Ursache ein Kurzschluss in einem angeschlossenen Gerät oder eine Überlast ist. Das Problem beheben und den Generator neu starten.

Anwendungen für den Wechselstromparallelbetrieb

Die im Lieferumfang des Parallelkabels enthaltene Anleitung beachten.

Vor dem Anschluss eines Geräts oder Netzkabels am Generator:

- Prüfen, ob das Gerät in gutem Betriebszustand ist. Ein defektes Gerät oder Netzkabel kann zu einem Stromschlag führen.
- Wenn ein Gerät nicht mehr ordnungsgemäß funktioniert, langsam wird oder plötzlich stoppt, sofort ausschalten. Das Gerät vom Netz trennen und überprüfen, ob das Problem am Gerät liegt oder die Nennlastkapazität des Generators überschritten wurde.
- Niemals verschiedene Generatormodelle und -typen anschließen.
- Zwei EU32i-Generatoren für den Parallelbetrieb nur mit einem von Honda zugelassenen Parallelkabel (Sonderausstattung) anschließen.
- Das Parallelkabel niemals bei laufendem Generator anschließen oder abziehen.
- Beim Betrieb von nur einem Generator muss das Parallelkabel abgezogen werden.

Die meisten Gerätemotoren benötigen zum Starten mehr als die Nennleistung. Darauf achten, dass die elektrische Nennleistung des Werkzeugs oder Geräts die maximale Nennleistung des Generators nicht überschreitet.

Die maximale Leistung im Parallelbetrieb beträgt:

6,4 kVA

Bei Dauerbetrieb die Nennleistung nicht überschreiten.

Die Nennleistung im Parallelbetrieb beträgt:

5,2 kVA

In jedem Fall muss der Gesamtleistungsbedarf (VA) aller angeschlossenen Geräte berücksichtigt werden. Hersteller von Geräten und Elektrowerkzeugen listen in der Regel neben der Modell- oder Seriennummer die Bewertungsinformationen.

ACHTUNG

Eine erhebliche Überlast, bei der die Überlastalarm-Kontrollleuchte (rot) dauerhaft leuchtet, kann den Generator beschädigen. Eine geringfügige Überlast, bei der die Überlastalarm-Kontrollleuchte (rot) vorübergehend leuchtet, kann die Betriebsdauer des Generators verkürzen.

ÖKO-DROSSELKLAPPENSYSTEM

Jedes Mal, wenn der Öko-Drosselklappenschalter gedrückt wird, wird das System ein- und ausgeschaltet.

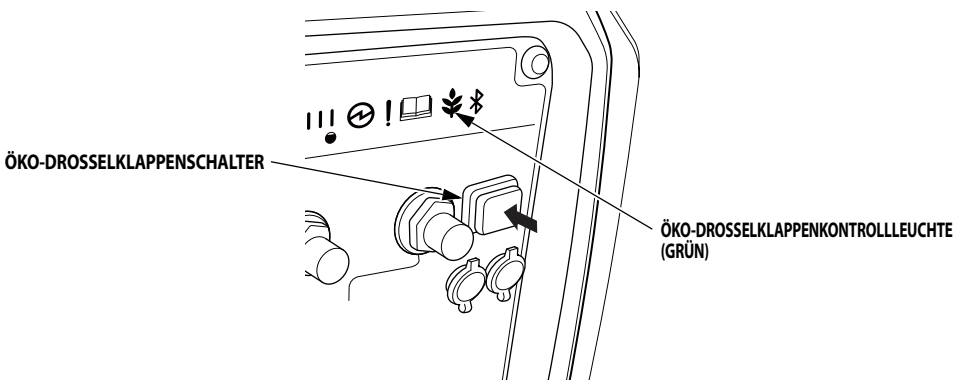
Wenn das System eingeschaltet ist und Lasten reduziert werden, ausgeschaltet oder getrennt werden, wird die Motordrehzahl automatisch gesenkt. Wenn Geräte eingeschaltet oder wieder angeschlossen werden, springt der Motor auf die richtige Drehzahl zurück, um die elektrische Last zu versorgen. Wenn Öko-Drosselklappensystem ausgeschaltet ist, funktioniert es nicht.

Bei Geräten mit hohem Startleistungsbedarf kann der Motor möglicherweise nicht die normale Betriebsdrehzahl erreichen, wenn sie an den Generator angeschlossen sind. Das Öko-Drosselklappensystem ausschalten und das Gerät an den Generator anschließen. Wenn der Motor immer noch nicht die normale Betriebsdrehzahl erreicht, prüfen, ob das Gerät die Nennlastkapazität des Generators überschreitet.

Wenn gleichzeitig hohe elektrische Lasten angeschlossen sind, das Öko-Drosselklappensystem ausschalten, um Änderungen in der Spannung zu reduzieren.

Das Öko-Drosselklappensystem ist nicht effektiv für die Verwendung mit Geräten oder Werkzeugen, die nur kurzzeitig Strom benötigen. Wenn das Werkzeug oder Gerät schnell ein- und ausgeschaltet wird, muss das Öko-Drosselklappensystem ausgeschaltet sein.

Öko-Drosselklappensystem EIN	Kontrollleuchten an (grün) <ul style="list-style-type: none">• Empfohlen, um den Kraftstoffverbrauch zu minimieren und den Geräuschpegel weiter zu reduzieren, wenn der Generator nicht voll belastet wird.
Öko-Drosselklappensystem AUS	Kontrollleuchten aus <ul style="list-style-type: none">• Das Öko-Drosselklappensystem funktioniert nicht.



STANDBY-LEISTUNG

Anschlüsse an das Stromnetz eines Gebäudes

Anschlüsse für die Notstromversorgung an das elektrische System eines Gebäudes müssen von einem qualifizierten Elektriker eingebaut werden. Der Anschluss muss den Generatorstrom vom Netzstrom trennen sowie allen geltenden Gesetzen und Elektrovorschriften entsprechen.

⚠ WARNING

Unsachgemäße Anschlüsse an das elektrische System eines Gebäudes können dazu führen, dass Strom vom Generator in die Versorgungsleitungen zurückgespeist wird.

So eine Rückspeisung kann bei Mitarbeitern von Versorgungsunternehmen oder anderen, die während eines Stromausfalls mit den Leitungen in Kontakt kommen, zu Stromschlägen führen. Wenn die Stromversorgung wiederhergestellt wird, kann der Generator explodieren, brennen oder einen Brand verursachen.

Vor dem Herstellen von Stromanschlüssen an das Versorgungsunternehmen oder einen qualifizierten Elektriker wenden.

In einigen Regionen müssen per Gesetz Generatoren bei den örtlichen Versorgungsunternehmen registriert werden. Die örtlichen Vorschriften für die ordnungsgemäße Registrierung und Verwendung lesen.

Systemerdung

Dieser Generator verfügt über eine Systemerdung, die die Generatorrahmenteile mit den Massenanschlüssen in den Wechselstromausgangsbuchsen verbindet. Die Systemerdung ist nicht mit dem Wechselstromneutralleiter verbunden.

Spezielle Anforderungen

ACHTUNG

Den Generator beim Bewegen, Lagern oder Bedienen nicht zur Seite kippen. Es können Öl und Kraftstoff auslaufen. Es kann zu Motorschäden oder anderen Sachschäden kommen.

Für den bestimmungsgemäßen Einsatz des Generators können geltende Gesetze, lokale Vorschriften oder Verordnungen gelten. An einen qualifizierten Elektriker oder die zuständige örtliche Behörde wenden.

- In einigen Regionen müssen Generatoren bei den örtlichen Versorgungsunternehmen registriert werden.
- Beim Einsatz des Generators auf einer Baustelle können zusätzliche Vorschriften zu beachten sein.

DEN GENERATOR WARTEN

DIE BEDEUTUNG DER WARTUNG

Eine gute Wartung ist für einen sicheren, wirtschaftlichen und störungsfreien Betrieb unerlässlich. Sie trägt auch dazu bei, die Luftverschmutzung zu reduzieren.

Als Hilfe bei der richtigen Pflege des Generators enthalten die folgenden Seiten einen Wartungsplan, routinemäßige Inspektionsverfahren und einfache Wartungsverfahren mit einfachen Handwerkzeugen. Andere Wartungsaufgaben, die schwieriger sind oder Spezialwerkzeuge erfordern, werden am besten von Fachleuten durchgeführt und normalerweise von einem Honda Techniker bzw. einem anderen qualifizierten Mechaniker.

Der Wartungsplan gilt für normale Betriebsbedingungen. Wenn der Generator unter ungewöhnlichen Bedingungen betrieben wird, z. B. Dauerbetrieb unter hoher Last, bei hohen Temperaturen oder unter staubigen Bedingungen, an einen Fachhändler für Empfehlungen für individuellen Bedürfnisse und Einsatzzwecke wenden.

WARNING

Wenn dieser Generator nicht ordnungsgemäß gewartet oder Probleme vor dem Betrieb nicht behoben werden, kann dies zu erheblichen Fehlfunktionen führen.

Einige Fehlfunktionen können zu schweren Verletzungen oder zum Tod führen.

Stets die Inspektions- sowie Wartungsempfehlungen und -pläne in dieser Bedienungsanleitung beachten.

Ein autorisierter Honda-Wartungshändler kennt den Generator am besten und ist für die Wartung und Reparatur vollständig ausgestattet.

Für beste Qualität und Zuverlässigkeit für die Reparatur und den Austausch nur neue Honda-Originalteile oder gleichwertige Teile verwenden.

SICHERHEIT BEI DER WARTUNG

Nachfolgend werden einige der wichtigsten Sicherheitsvorkehrungen beschrieben. Wir können jedoch nicht vor allen denkbaren Gefahren warnen, die bei der Durchführung von Wartungsarbeiten auftreten können. Nur der Bediener kann entscheiden, ob eine bestimmte Aufgabe ausgeführt werden soll oder nicht.

WARNING

Die unsachgemäße Wartung kann zu einem unsicheren Zustand führen.

Die Nichtbeachtung der Wartungsanweisungen und Vorsichtsmaßnahmen kann zu schweren Verletzungen oder zum Tod führen.

Stets die Verfahren und Vorsichtsmaßnahmen in dieser Bedienungsanleitung beachten.

Sicherheitsmaßnahmen

Vor der Wartung die Anweisungen durchlesen und darauf achten, dass die erforderlichen Werkzeuge und Kenntnisse zur Verfügung stehen.

- Vor jeder Wartungs- oder Reparaturarbeit darauf achten, dass der Motor abgestellt ist. Dadurch werden mehrere potenzielle Gefahren beseitigt:
 - **Kohlenmonoxidvergiftung durch Motorabgase**
Einen Generator nur draußen laufen lassen, weit entfernt von offenen Fenstern und Türen. Die Motorabgase müssen dabei von bewohnten Gebäuden weggeleitet werden.
 - **Verbrennungen durch heiße Teile**
Vor dem Berühren den Motor und die Abgasanlage abkühlen lassen.
 - **Verletzung durch bewegliche Teile**
Den Motor nicht laufen lassen, es sei denn, dazu wird aufgefordert.
- Bei Arbeiten in der Nähe von Benzin vorsichtig sein, um die Möglichkeit eines Brandes oder einer Explosion zu verringern. Zum Reinigen der Teile nur ein nicht brennbares Lösungsmittel verwenden, kein Benzin. Zigaretten, Funken und Feuern von allen Teilen der Kraftstoffanlage fernhalten.

WARTUNGSPLAN

Die Nichtbeachtung dieses Wartungsplans kann zu Ausfällen führen, die nicht unter die Garantie fallen.

REGELMÄSSIGER WARTUNGSZEITRAUM (3) In jedem angegebenen Monat oder Betriebsstundenintervall, je nachdem, was zuerst zutrifft.		Bei jedem Betrieb	Jeden Monat oder alle 20 Stunden	Alle 3 Monate oder 50 Stunden	Alle 6 Monate oder 100 Stunden	Jährlich oder alle 300 Stunden	Seite	
TEIL								
Motoröl	Füllstand kontrollieren	o					36	
	Wechseln (beim ersten Mal nach dem Kauf)		o				56	
	Wechseln				o		56	
Luftfilter (Teil)	Prüfen	o					37	
	Reinigen			o (1)			57	
	Wechseln					o	37	
Zündkerze	Prüfen – Justieren				o		58	
	Wechseln					o	58	
Funkenfänger	Reinigen				o		60	
Zahnriemen	Prüfen	Alle 250 Stunden (2)						—
Ventilspiel	Prüfen – Justieren					o (2)	—	
Verbrennungskammer	Reinigen	Alle 500 Stunden (2)						—
Kraftstofftank	Reinigen	Alle 2 Jahre oder 1.000 Stunden (2)						—
Kraftstoffpumpenfilter	Wechseln	Alle 2 Jahre oder 1.000 Stunden (2)						—
Kraftstoffschlauch	Prüfen	Alle 2 Jahre (bei Bedarf austauschen) (2)						—
Kanister	Prüfen	Alle 2 Jahre (bei Bedarf austauschen) (2)						—
Spülrohr	Prüfen	Alle 2 Jahre (bei Bedarf austauschen) (2)						—
Laderohr	Prüfen	Alle 2 Jahre (bei Bedarf austauschen) (2)						—
Luftschlauch	Prüfen	Alle 2 Jahre (bei Bedarf austauschen) (2)						—
Abflussrohr	Prüfen	Alle 2 Jahre (bei Bedarf austauschen) (2)						—

- (1) Bei Einsatz in staubigen Bereichen häufiger warten.
- (2) Diese Teile sollten von einem Fachhändler gewartet werden, außer die richtigen Werkzeuge und mechanischen Kenntnisse sind vorhanden. Weitere Informationen zu Wartungsverfahren gibt es im Honda Werkstatthandbuch.
- (3) Bei gewerblicher Nutzung die Betriebsstunden protokollieren, um die richtigen Wartungsintervalle zu bestimmen.

Dieser Generator ist mit einem Katalysator ausgestattet. Wenn der Motor nicht ordnungsgemäß gewartet wird, kann der Katalysator im Schalldämpfer an Wirksamkeit verlieren.

DEN GENERATOR WARTEN

MOTORÖL WECHSELN

Das Öl bei warmem Motor für ein schnelles und vollständiges Ablassen ablassen.

1. Den Hauptschalter auf „AUS“ schalten (siehe Seite 42), damit die Möglichkeit von austretendem Kraftstoff reduziert werden kann.
2. Die Schraube der Wartungsklappe lösen. Die Wartungsklappe abnehmen (siehe Seite 36).
3. Zum Auffangen von Altöl einen geeigneten Behälter neben den Motor stellen.
4. Den Öleinfülldeckel abschrauben und das Öl in den Behälter ablassen. Dazu den Motor in Richtung des Öleinfüllstutzens kippen.

ACHTUNG

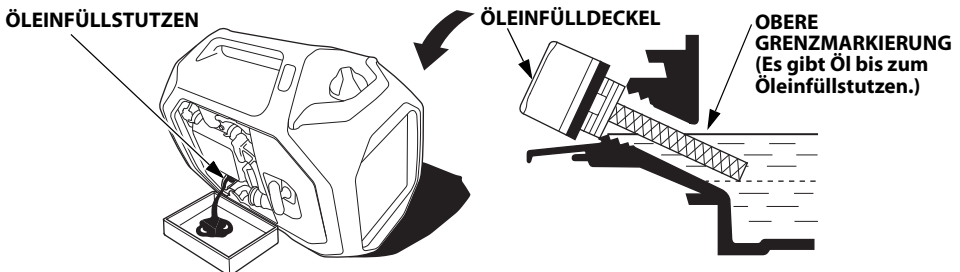
Die unsachgemäße Entsorgung von Motoröl kann der Umwelt schaden. Beim Verwenden von eigenem Öl das Altöl ordnungsgemäß entsorgen. Nicht in einem Mülleimer entsorgen und nicht auf den Boden oder in den Abfluss gießen.

5. Das empfohlene Öl bei waagrecht ausgerichtetem Generator bis zur Obergrenze einfüllen. Nicht überfüllen.
 - „Obere Grenzmarkierung“ bedeutet, dass es Öl bis zum Öleinfüllstutzen gibt. Weitere Informationen stehen auf Seite 17 unter "EMPFEHLUNGEN FÜR MOTORÖL".

Maximale Ölkapazität: 0,46 L

6. Den Öleinfülldeckel fest zuschrauben.
7. Die Wartungsklappe wieder anbringen. Die Schraube der Wartungsklappe fest anziehen.

Nach dem Umgang mit Altöl die Hände mit Wasser und Seife waschen.

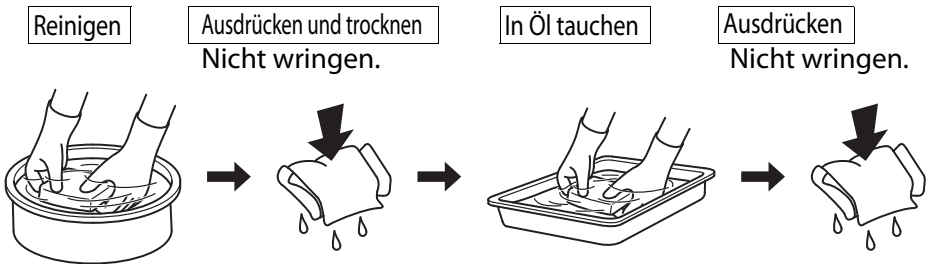


LUFTFILTER WARTEN

Schaumstofffilter reinigen

Schmutzige Schaumstofffilter schränken den Luftstrom in die Kraftstoffanlage ein. Dies reduziert die Motorleistung. Beim Einsatz des Generators in einer sehr staubigen Umgebung den Schaumstofffilter häufiger als im Wartungsplan angegeben reinigen.

1. Schaumstofffilter in warmem Seifenwasser reinigen, abspülen und gründlich trocknen lassen oder mit nicht brennbarem Lösungsmittel reinigen und trocknen lassen.
2. Den Schaumstofffilter in sauberes Motoröl tauchen und dann das überschüssige Öl auswringen. Der Motor raucht beim Starten, wenn zu viel Öl im Filter ist.



3. Schmutz mit einem feuchten Tuch von der Innenseite der Luftfilterabdeckung abwischen. Darauf achten, dass kein Schmutz in den Luftkanal gelangt, der zum Kraftstoffsystem führt.

DEN GENERATOR WARTEN

ZÜNDKERZE WARTEN

Empfohlene Zündkerze: CR6HSB (NGK)

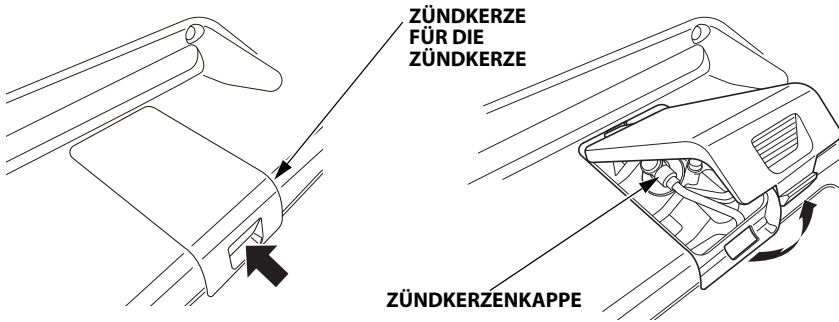
Für einen ordnungsgemäßen Motorbetrieb muss der Abstand der Zündkerze korrekt und die Zündkerze frei von Ablagerungen sein.

ACHTUNG

Eine unsachgemäße Zündkerze kann einen Motorschaden verursachen.

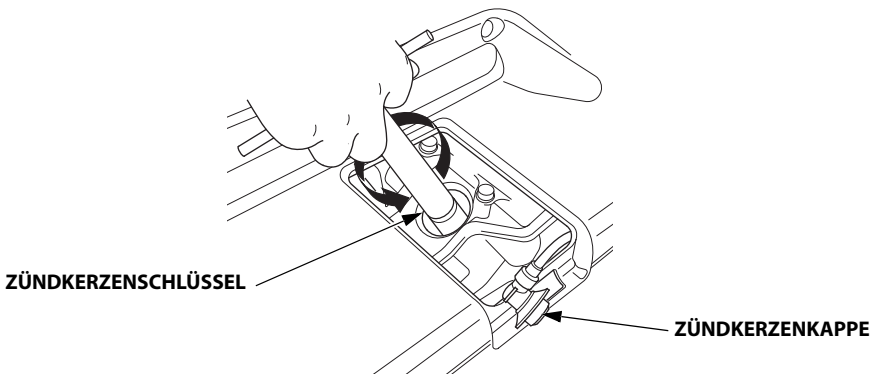
Wenn der Motor heiß ist, vor der Wartung der Zündkerze abkühlen lassen.

1. Die Wartungsklappe für die Zündkerze abnehmen.

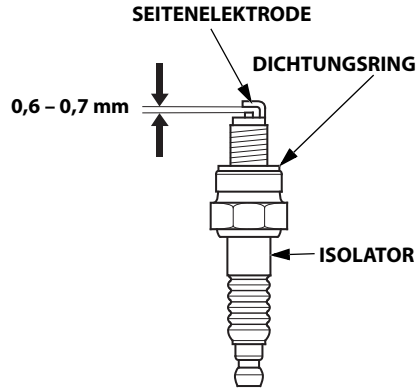


2. Die Zündkerzenkappe abziehen und jeglichen Schmutz aus dem Bereich der Zündkerze beseitigen.

3. Die Zündkerze mit einem Zündkerzenschlüssel ausbauen.



- Die Zündkerze prüfen. Wenn die Elektroden abgenutzt bzw. verschmutzt sind oder der Isolator Risse bzw. Absplitterungen aufweist, austauschen. Die Zündkerze mit einer Drahtbürste reinigen, wenn sie wiederverwendet werden soll.
- Den Elektrodenabstand der Zündkerze mit einer Draht-Fühlerlehre messen. Bei Bedarf den Abstand durch vorsichtiges Biegen der Seitenelektrode korrigieren.



Abstand der Zündkerze:

0,6 – 0,7 mm

- Prüfen, ob der Dichtungsring der Zündkerze in gutem Zustand ist. Die Zündkerze von Hand eindrehen, um ein Überdrehen zu vermeiden.
- Nach dem Einsetzen der Zündkerze mit einem Zündkerzenschlüssel festziehen, um die Unterlegscheibe zusammenzudrücken. Beim Wiedereinsetzen einer gebrauchten Zündkerze mit einer 1/8 – 1/4 Umdrehung nach dem Einsetzen der Zündkerze festziehen. Beim Wiedereinsetzen einer gebrauchten Zündkerze mit einer 1/2 Umdrehung nach dem Einsetzen der Zündkerze festziehen.

Drehmoment: 12 N·m

ACHTUNG

Eine lose Zündkerze kann überhitzen und den Motor beschädigen. Zu festes Anziehen der Zündkerze kann die Gewinde im Zylinderkopf beschädigen.

- Die Zündkerzenkappe wieder sicher an der Zündkerze anbringen.
- Die Wartungsklappe für die Zündkerze wieder anbringen.

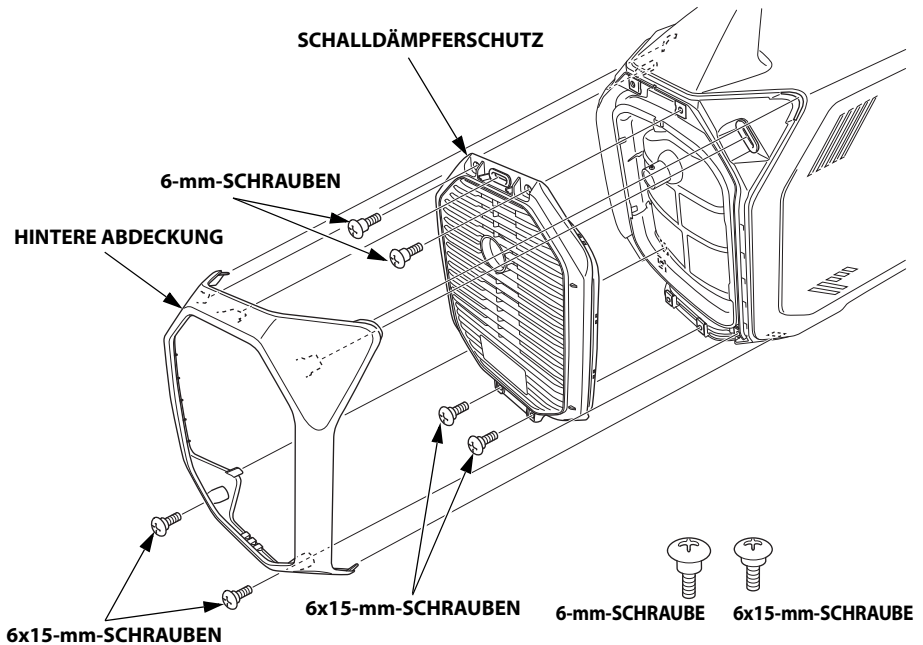
DEN GENERATOR WARTEN

FUNKENFÄNGER WARTEN

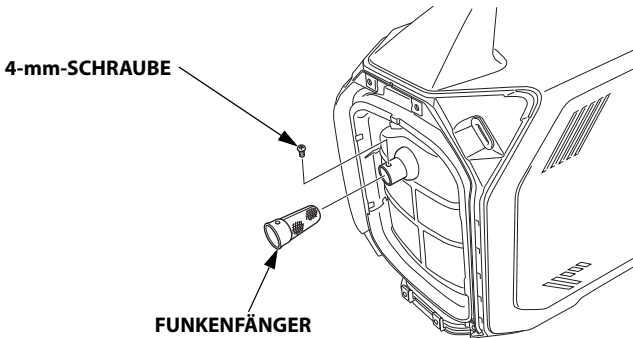
Wenn der Motor gelaufen ist, ist der Schalldämpfer sehr heiß. Vor der Wartung des Funkenfängers den Schalldämpfer abkühlen lassen.

Den Funkenfänger so reinigen:

1. Die beiden 6x15-mm-Schrauben lösen und die hintere Abdeckung abnehmen.
Die beiden 6-mm-Schrauben und die beiden 6x15-mm-Schrauben lösen. Den Schalldämpferschutz abnehmen.



2. Die 4-mm-Schraube lösen und den Funkenfänger ausbauen.



3. Mit einer Bürste Kohleablagerungen vom Funkenfängersieb entfernen. Darauf achten, die Abschirmung nicht zu beschädigen. Der Funkenfänger muss frei von Brüchen und Rissen sein. Den Funkenfänger austauschen, wenn er beschädigt ist.



4. Den Funkenfänger, den Schalldämpferschutz und die hintere Abdeckung in umgekehrter Reihenfolge des Ausbaus wieder einbauen.

LAGERUNG

VORBEREITUNGEN FÜR DIE LAGERUNG

Die richtige Lagervorbereitung ist entscheidend, damit der Generator störungsfrei bleibt und gut aussieht. Diese Schritte tragen dazu bei, dass Rost und Korrosion die Funktion und das Aussehen des Generators nicht beeinträchtigen, und erleichtern das Anlassen des Motors, wenn der Generator wiederverwendet wird.

Reinigung

Den Generator mit einem feuchten Tuch abwischen. Nach dem Trocknen des Generators alle beschädigten Lacke ausbessern und andere Bereiche, die rosten könnten, mit einem leichten Ölfilm bestreichen.

Kraftstoff

ACHTUNG

Je nach Region, in der die Geräte betrieben werden, können sich Kraftstoffzusammensetzungen verschlechtern und schnell oxidieren. Kraftstoffverschlechterung und Oxidation können in nur 30 Tagen auftreten und das Kraftstoffsystem beschädigen. Bei einem Fachhändler nach Empfehlungen zur Lagerung vor Ort erkundigen.

Benzin oxidiert und verschlechtert sich bei der Lagerung. Altes Benzin führt zu Startschwierigkeiten und hinterlässt Gummiablagerungen, die das Kraftstoffsystem verstopfen. Wenn sich das Benzin im Generator während der Lagerung verschlechtert, müssen die Teile des Kraftstoffsystems möglicherweise gewartet oder ausgetauscht werden.

Wie lange Benzin im Kraftstofftank bleiben kann, ohne dass es zu Funktionsproblemen kommt, hängt von Faktoren wie der Benzinmischung, den Lagerungstemperaturen und davon ab, ob der Kraftstofftank teilweise oder vollständig gefüllt ist. Die Luft in einem teilweise gefüllten Kraftstofftank fördert die Kraftstoffverschlechterung. Sehr warme Lagertemperaturen beschleunigen die Kraftstoffverschlechterung. Probleme mit der Kraftstoffverschlechterung können innerhalb weniger Monate oder sogar noch früher auftreten, wenn das Benzin beim Befüllen des Kraftstofftanks nicht frisch war.

Wartung gemäß dieser Tabelle:

LAGERUNGSZEIT	EMPFOHLENE WARTUNGSVERFAHREN, UM SCHWIERIGES STARTEN ZU VERHINDERN
Weniger als 1 Monat	Keine Vorbereitungen erforderlich.
1 Monat bis 1 Jahr	Den Kraftstofftank entleeren (siehe Seite 64).
1 Jahr oder länger	Den Kraftstofftank entleeren (siehe Seite 64). Die Zündkerze ausbauen. Einen Teelöffel Motoröl in den Zylinder geben. Den Motor langsam mit dem Zugseil drehen, um das Öl zu verteilen. Die Zündkerze wieder einbauen. Das Motoröl wechseln (siehe Seite 56).

DEN KRAFTSTOFFTANK ENTLEEREN

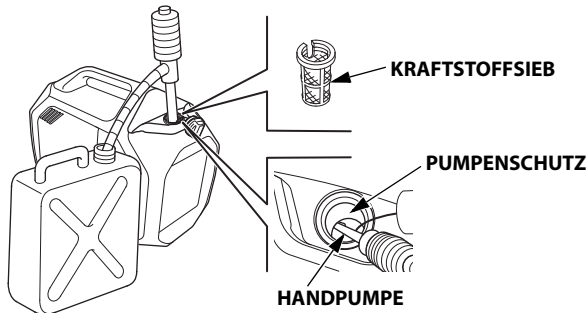
⚠ WARNUNG

Benzin ist hochentzündlich und explosiv.

Der Umgang mit Kraftstoff kann zu Verbrennungen oder schweren Verletzungen führen.

- Vor dem Umgang mit Kraftstoff den Motor abstellen und abkühlen lassen.
- Hitze, Funken und Feuer fernhalten.
- Mit Kraftstoff nur im Freien umgehen.
- Von Ihrem Fahrzeug fern halten.
- Verschütteten Kraftstoff sofort aufwischen.

Den Tankdeckel abschrauben (siehe Seite 19), das Kraftstoffsieb herausnehmen und den Kraftstofftank in einen zugelassenen Benzinbehälter entleeren. Wir empfehlen, zum Entleeren des Tanks eine handelsübliche Benzinhandpumpe zu verwenden. Keine Elektropumpe verwenden. Das Benzin absaugen. Dazu die Spitze der Handpumpe in die Seite des Pumpenschutzes stecken, wie in der Abbildung unten gezeigt. Das Kraftstoffsieb einsetzen und den Tankdeckel wieder zuschrauben.



Motoröl

Das Motoröl wechseln (siehe Seite 56).

Motorzylinder

1. Die Zündkerze ausbauen (siehe Seite 58).
2. Einen Teelöffel (5 cm³) sauberes Motoröl in den Zylinder geben.
3. Mehrmals am Starterseil ziehen, um das Öl im Zylinder zu verteilen.
4. Die Zündkerze wieder einbauen (siehe Seite 58).
5. Langsam am Startergriff ziehen, bis ein Widerstand zu spüren ist. An diesem Punkt kommt der Kolben bei seinem Kompressionshub hoch. Die Einlass- und Auslassventile sind geschlossen. Die Lagerung des Motors in dieser Stellung trägt dazu bei, ihn vor innerer Korrosion zu schützen. Den Startergriff vorsichtig zurückgehen lassen.

LAGERUNG

MASSNAHMEN ZUR LAGERUNG

Wenn der Generator mit Benzin im Kraftstofftank gelagert wird, muss die Gefahr der Entzündung von Benzindämpfen verringert werden.

Einen gut belüfteten Lagerungsbereich entfernt von Geräten auswählen, die mit Hitze arbeiten, z. B. ein Ofen, Wasserkocher oder Trockner. Außerdem Bereiche mit einem funkenerzeugenden Elektromotor oder in denen Elektrowerkzeuge betrieben werden vermeiden.

Nach Möglichkeit Lagerungsräume mit hoher Luftfeuchtigkeit vermeiden, da dies Rost und Korrosion fördert.

Den Generator auf eine ebene Oberfläche stellen. Beim Kippen oder auf die Seite legen kann Kraftstoff oder Öl auslaufen.

Den Generator bei abgekühltem Motor und Abgasanlage abdecken, um Staub fernzuhalten. Ein heißer Motor und eine heiße Abgasanlage können einige Materialien entzünden oder schmelzen.

Plastikfolie eignet sich nicht als Schutzabdeckung vor Staub. Eine undurchlässige Abdeckung schließt Feuchtigkeit um den Generator ein und begünstigt dadurch Rost und Korrosion.

AUS DEM LAGER HspboLEN

Den Generator wie in dieser Anleitung im Kapitel "VOR DEM BETRIEB" beschrieben prüfen (siehe Seite 33).

Wenn der Kraftstoff während der Lagervorbereitung abgelassen wurde, den Kraftstofftank mit frischem Benzin auftanken. Bei einem Benzinkanister zum Auftanken sicherstellen, dass dieser nur frisches Benzin enthält. Benzin oxidiert und verschlechtert sich mit der Zeit, was zu Startschwierigkeiten führt.

Wenn der Zylinder während der Vorbereitungen für die Lagerung mit Öl bestrichen wurde, kann der Motor beim Starten kurzzeitig rauchen. Das ist normal.

TRANSPORT

⚠ VORSICHT

Ein laufender Motor bleibt eine Zeit lang sehr heiß.

Ein heißer Motor und eine heiße Auspuffanlage können zu Verbrennungen führen und einige Materialien entzünden.

Wenn der Generator in Betrieb war, vor dem Verladen auf das Transportfahrzeug mindestens 15 Minuten abkühlen lassen.

Beim Transport den Kraftstoff aus dem Kraftstofftank ablassen.

Um beim Transport ein Verschütten zu vermeiden, muss der Generator aufrecht in der normalen Betriebsposition gesichert werden.

ACHTUNG

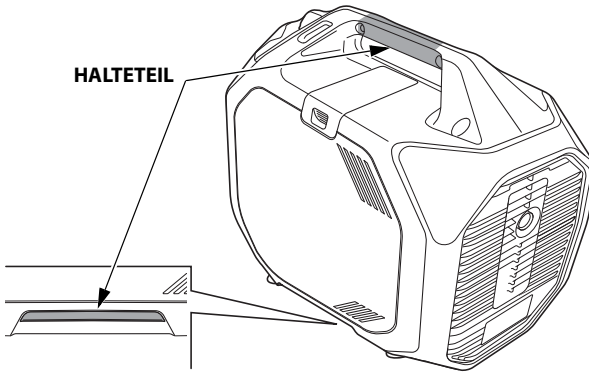
Den Generator beim Bewegen, Lagern oder Bedienen nicht zur Seite kippen. Es kann Öl oder Kraftstoff auslaufen und zu Motorschäden oder anderen Sachschäden kommen.

Den Generator nicht beim Transport oder auf einem Fahrzeug, Anhänger oder Boot laufen lassen.

Beim Transport darauf achten, den Generator nicht fallen zu lassen oder irgendwie zu treffen. Keine schweren Gegenstände auf den Generator stellen.

TRANSPORT

Zum Transportieren des Generators das Halteteil halten (schraffierte Bereiche in der Abbildung unten).



Beim Abstellen des Generators auf ein Fahrzeug einen Ort vermeiden, der direkter Sonneneinstrahlung ausgesetzt ist. Wenn der Generator viele Stunden in einem geschlossenen Fahrzeug gelassen wird, kann die hohe Temperatur im Fahrzeuginneren dazu führen, dass Kraftstoff verdampft. Das kann zu einer möglichen Explosion führen.

UNERWARTETE PROBLEME BEHEBEN

MOTORDREHZAHL IST INSTABIL ODER STARTET NICHT

Mögliche Ursache	Problembehebung
Der Hauptschalter ist auf „AUS“ gedreht.	Den Hauptschalter auf „EIN“ drehen (siehe Seite 40).
Kein Kraftstoff mehr.	Auftanken (siehe Seite 18).
Schlechter Kraftstoff; Generator gelagert, ohne Benzin zu behandeln oder abzulassen, oder mit schlechtem Benzin betankt.	Den Kraftstofftank entleeren (siehe Seite 64). Mit frischem Benzin auftanken (siehe Seite 18).
Aufgrund eines niedrigen Motorölstands wurde der Motor durch die Ölarmanlage abgestellt.	Den Hauptschalter auf „AUS“ schalten. Motoröl einfüllen. Den Hauptschalter auf „EIN“ schalten und den Motor neu starten.
Zündkerze defekt, verschmutzt oder mit falschem Abstand.	Zündkerze einstellen oder austauschen (siehe Seite 58).
Mit Kraftstoff benetzte Zündkerze (überfluteter Motor).	Zündkerze trocknen und wieder einbauen.
Kraftstofffilter verstopft, Fehlfunktion der Kraftstoffanlage, Fehlfunktion der Kraftstoffpumpe, Fehlfunktion der Zündung, verklemmte Ventile usw.	Den Generator zu einem Fachhändler bringen oder im Werkstatthandbuch nachschlagen.

UNERWARTETE PROBLEME BEHEBEN

MOTOR ERBRINGT NICHT GENÜGEND LEISTUNG

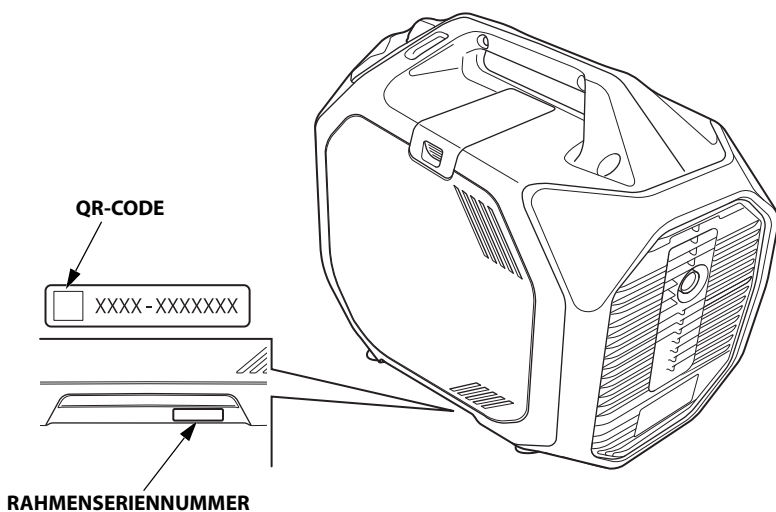
Mögliche Ursache	Problembehebung
Luftfilter eingeschränkt.	Luftfilter reinigen oder wechseln (siehe Seite 57).
Schlechter Kraftstoff; Generator gelagert, ohne Benzin zu behandeln oder abzulassen, oder mit schlechtem Benzin betankt.	Den Kraftstofftank entleeren (siehe Seite 64). Mit frischem Benzin auftanken (siehe Seite 18).
Kraftstofffilter verstopft, Fehlfunktion der Kraftstoffanlage, Fehlfunktion der Kraftstoffpumpe, Fehlfunktion der Zündung, verklemmte Ventile usw.	Den Generator zu einem Fachhändler bringen oder im Werkstatthandbuch nachschlagen.

KEIN STROM AN DEN WECHSELSTROMBUCHSEN

Mögliche Ursache	Problembehebung
Ausgangskontrollleuchte ist AUS und Überlastalarm-Kontrollleuchte ist EIN.	Wechselstromlast kontrollieren. Den Motor abstellen und neu starten.
	Den Kühllufteinlass prüfen. Den Motor abstellen und neu starten.
Die Überlastalarm-Kontrollleuchte blinkt.	Wenn die Ursache der Überlast behoben wurde, kann die Stromerzeugung durch Drücken und Halten des Öko-Drosselklappenschalters (länger als 3 Sekunden) wieder aufgenommen werden (siehe Seite 24).
Wechselstromkreisschutz ausgelöst.	Wechselstromlast kontrollieren und Stromkreisschutz zurücksetzen (siehe Seite 25).
Defektes Elektrowerkzeug oder -gerät.	Das Elektrowerkzeug oder das Gerät austauschen oder reparieren. Den Motor abstellen und neu starten.
Defekter Generator.	Den Generator zu einem Fachhändler bringen oder im Werkstatthandbuch nachschlagen.

TECHNISCHE DATEN

POSITION DER SERIENNUMMER



Die Seriennummer und das Kaufdatum des Rahmens in die Felder unten eintragen. Diese Informationen werden bei der Bestellung von Teilen sowie bei technischen oder Garantieforderungen benötigt.

Rahmenseriennummer: _____

Kaufdatum: _____

TECHNISCHE DATEN

DATEN

Abmessung

Modell	EU32i	
Typ	F, G	IT
Beschreibungscode	EBKJ	
Länge	571 mm	596 mm
Breite	306 mm	
Höhe	452 mm	
Trockenmasse [Gewicht]	26,5 kg	

Motor

Modell	GX130
Motortyp	4-Takt, obenliegende Nockenwelle, Einzylinder
Versatz [Bohrung x Hub]	130 cm ³ [56,0 x 53,0 mm]
Kompressionsrate	10,0 : 1
Motordrehzahl	4 800 – 5 500 min ⁻¹ (U/min) (Öko-Drosselklappensystem AUS)
Kühlanlage	Druckluft
Zündanlage	Volltransistor
Motorölkapazität	0,46 L
Kraftstofftankkapazität	4,6 L
Zündkerze	CR6HSB (NGK)

[Kohlendioxid(CO₂)-Emissionen*]

Weitere Informationen in der „CO₂-Informationsliste“ unter www.honda-engines-eu.com/co2

* Die CO₂-Messung ergibt sich aus der Prüfung über einen festgelegten Prüfzyklus unter Laborbedingungen an einem (Stamm-)Motor, der für den Motortyp (Motorfamilie) repräsentativ ist, und soll keine Garantie für die Leistung eines bestimmten Motors implizieren oder ausdrücken.

Generator

Modell		EU32i
Typ		F, G, IT
Wechselstromausgang	Nennspannung	230 V
	Nennfrequenz	50 Hz
	Nennstrom	11,3 A
	Nennausgangsleistung	2,6 kVA
	Maximale Ausgangsleistung	3,2 kVA

Kommunikation

Bluetooth®-Version	5,0 (Bluetooth-Niedrigenergie)
Frequenzband(/-bänder)	2 402 – 2 480 MHz
Maximale Hochfrequenzleistung	<4 dBm

TECHNISCHE DATEN

Lärm

Modell	EU32i
Typ	F, G, IT
Schalldruckpegel am Einsatzort (2006/42/EC)	73 dB (A) (bei eingeschalteter Öko-Drosselklappe)
<p>Mikrofonpunkt BEDIENFELD Mitte 1,60 m 1,0 m</p>	
Messunsicherheit	4 dB (A)
Gemessener Schalleistungspegel (2000/14/EC, 2005/88/EC)	88 dB (A) (bei eingeschalteter Öko-Drosselklappe)
Messunsicherheit	3 dB (A)
Garantierter Schalleistungspegel (2000/14/EC, 2005/88/EC)	91 dB (A) (bei eingeschalteter Öko-Drosselklappe)

„Die angegebenen Zahlen sind Emissionswerte und nicht unbedingt sichere Arbeitswerte. Es besteht zwar eine Korrelation zwischen den Emissions- und Expositions-niveaus, diese kann jedoch nicht zuverlässig verwendet werden, um zu bestimmen, ob weitere Vorsichtsmaßnahmen erforderlich sind oder nicht. Zu den Faktoren, die die tatsächliche Exposition der Arbeitskräfte beeinflussen, gehören die Eigenschaften des Arbeitsraums, andere Lärmquellen usw., also die Anzahl der Maschinen und anderer angrenzender Prozesse sowie die Dauer in Bezug auf den Lärm, der ein Bediener ausgesetzt ist. Auch die zulässige Expositionshöhe kann von Land zu Land abweichen. Diese Informationen ermöglichen dem Bediener der Maschine jedoch eine bessere Einschätzung der Gefahr und des Risikos.“

Die Spezifikationen können je nach Typ abweichen und können ohne vorherige Ankündigung geändert werden.

Schaltplan

(Siehe Innenseite der hinteren Abdeckung)

Abkürzungen

Symbol	Teilebezeichnung
ACCP	Wechselstromkreisschutz
ACOR	Wechselstromausgangsbuchse
BASe	Querneigungssensor
CPB	Bedienfeldblock
EcoSw	Öko-Drosselklappenschalter
ECG	ECU-Masse
ECU	ECU
EgB	Motorblock
EgG	Motormasse
ESw	Hauptschalter
(F)	F-Typ
FrB	Rahmenblock
FP	Kraftstoffpumpe
GCU	Generatorsteuergerät
GeB	Generatorblock
GT	Masseanschluss
IASE	IAT-Sensor
IB	Wechselrichterblock
IgC	Zündspule
In	Injektor
IndU	Kontrollleuchteinheit
(IT)	IT-Typ
IU	Wechselrichter
MASe	MAP-Sensor
MW	Hauptwicklung
NF	Rauschfilter
OLSw	Ölstandschalter
O2Se	Lambdasonde
PC	Impulsspule
POR	Buchse für den Parallelbetrieb
SP	Zündkerze
SW	Nebenwicklung
TCM	Drosselklappenmotor
TESe	TE-Sensor

Kabelfarbcodes

S	Schwarz
Br	Braun
G	Grün
Gr	Grau
Bl	Blau
Hb	Hellblau
Hg	Hellgrün
O	Orange
P	Pink
R	Rot
W	Weiß
G	Gelb
L	Lila
Be	Beige

ECO THROTTLE SW

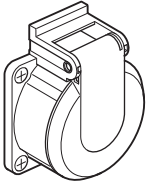
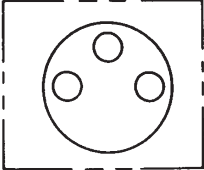
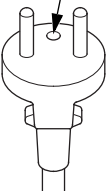
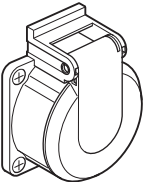
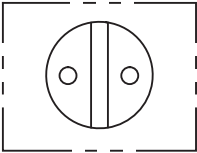
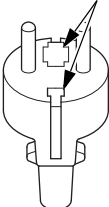
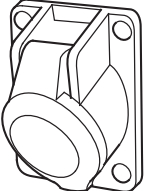
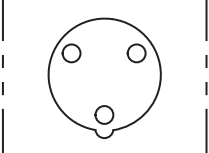
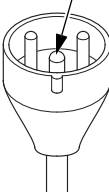
	COM	SW
DRÜCKEN		
LOSLASSEN		

ENG STOP SW

	COM	SW
EIN		
AUS		

TECHNISCHE DATEN

Buchse

Typ	Form		Stecker
F			MASSESTIFT 
G			MASSESTIFT 
IT			MASSESTIFT 

REFERENZINFORMATIONEN

„QR-Code“ ist ein eingetragenes Warenzeichen von DENSO WAVE INCORPORATED.



Die *Bluetooth*-Wortmarke und -Logos sind eingetragene Marken von Bluetooth SIG, Inc., und jede Verwendung dieser Marken durch Honda Motor Co., Ltd. erfolgt unter Lizenz. Andere Marken und Handelsnamen sind Eigentum ihrer jeweiligen Eigentümer.

NOTIZEN

Honda EU32i

MANUALE DELL'UTENTE
Traduzione delle istruzioni originali



AVVERTENZA

I gas di scarico contengono monossido di carbonio, un gas velenoso che in ambienti chiusi o parzialmente chiusi può raggiungere livelli nocivi.

Respirare monossido di carbonio può portare alla perdita di conoscenza o alla morte.

Non utilizzare il motore di questo prodotto in un'area chiusa o parzialmente chiusa.

Tenere il manuale dell'utente a portata di mano in modo da poterlo consultare in qualsiasi momento.

Questo manuale dell'utente è considerato parte permanente del generatore e deve accompagnare il generatore qualora venga rivenduto.

Le informazioni e le specifiche incluse nella presente pubblicazione erano in vigore al momento dell'autorizzazione alla stampa. Honda Motor Co., Ltd. si riserva, tuttavia, il diritto di interrompere o modificare le specifiche o il design in qualunque momento senza preavviso e senza incorrere in alcun obbligo.

Le illustrazioni possono variare in base al tipo di macchina.

INTRODUZIONE

Grazie per aver acquistato un generatore Honda.

Desideriamo aiutarvi ad ottenere i migliori risultati e ad azionare con sicurezza il vostro nuovo generatore. Questo manuale contiene informazioni su come farlo: Vi preghiamo di leggerlo con attenzione.

Consigliamo di leggere la garanzia per comprendere a fondo la copertura offerta e le responsabilità derivanti dalla proprietà.

Quando il generatore necessita della manutenzione programmata, tenete presente che il concessionario Honda è specificamente addestrato a eseguire la manutenzione dei generatori Honda. Il vostro concessionario Honda desidera assicurare la vostra soddisfazione e sarà lieto di rispondere a tutte le vostre domande e perplessità.

INTRODUZIONE


INFORMAZIONI DI SICUREZZA

La sicurezza propria e altrui è molto importante.

Abbiamo incluso importanti messaggi sulla sicurezza in questo manuale e sul generatore. Queste informazioni vi avvisano della presenza di potenziali pericoli che possono provocare lesioni a voi o ad altri. Leggere attentamente questi messaggi.

Ovviamente, non è pratico o possibile avvertirvi di tutti i pericoli connessi con l'utilizzo o la manutenzione di un generatore. Dovrete esercitare il vostro buon senso.

Troverete informazioni di sicurezza importanti in varie forme, tra cui:

- **Etichette di sicurezza** — sul generatore.
- **Istruzioni** — come operare questo generatore in modo corretto e sicuro.
- **Titoli relativi alla sicurezza** — come *INFORMAZIONI DI SICUREZZA IMPORTANTI*.
- **Messaggi di sicurezza** — preceduti dal simbolo di allarme di sicurezza  e da uno dei tre termini di segnale: PERICOLO, AVVERTENZA o ATTENZIONE.

Queste parole di allarme significano:



PERICOLO

La mancata osservanza di queste istruzioni
PROVOCA GRAVI LESIONI o la MORTE.



AVVERTENZA

La mancata osservanza di queste istruzioni
POTREBBE PROVOCARE GRAVI LESIONI o la MORTE.




ATTENZIONE

La mancata osservanza di queste istruzioni
POTREBBE PROVOCARE GRAVI LESIONI.

Questo intero manuale è pieno di informazioni importanti per la sicurezza - leggetelo attentamente.

MESSAGGI PER LA PREVENZIONE DI DANNI

Oltre ai messaggi precedenti, vedrete che un simbolo  **AVVISO** precede alcune informazioni. Lo scopo di tali informazioni è di aiutarvi a evitare di danneggiare il generatore, altri beni o l'ambiente.

INDICE

INTRODUZIONE	1
SICUREZZA DEL GENERATORE	6
INFORMAZIONI IMPORTANTI SULLA SICUREZZA.....	6
Responsabilità dell'operatore	6
Pericoli del monossido di carbonio.....	7
Pericolo di scosse elettriche.....	8
Pericolo di incendi e ustioni.....	9
Prestare la massima attenzione durante il rifornimento di carburante	9
Antideflagrante	10
Pericoli legati a veicoli e trasporto	10
Smaltimento	10
Smaltimento del generatore.	10
UBICAZIONE DELLE ETICHETTE DI SICUREZZA.....	11
ISTRUZIONI PER IL PRIMO UTILIZZO	16
OLIO MOTORE.....	16
OLI MOTORE CONSIGLIATI	17
CARBURANTE	18
RACCOMANDAZIONI PER IL CARBURANTE	20
COMANDI E FUNZIONI	21
UBICAZIONE DEI COMPONENTI E DEI COMANDI.....	21
COMANDI.....	23
Interruttore motore.....	23
Impugnatura motorino di avviamento.....	23
Interruttore di eco-accelerazione	24
Uscite per il funzionamento in parallelo	25
Interruttori di protezione di circuiti a C.A.	25
FUNZIONI	26
Terminale di messa a terra.....	26
Spia del livello del carburante.....	27
Spia di erogazione corrente.....	27
Allarme di sovraccarico (Spia)	28
Spia Oil Alert e controllo dell'olio	28
Funzione <i>Bluetooth</i> ®	29
Applicazione per smartphone	29
Fasci di luce LED	31
Impugnatura e impugnatura inferiore.....	32

PRIMA DELL'UTILIZZO	33
PRONTI A COMINCIARE?.....	33
Conoscenza.....	33
IL GENERATORE È PRONTO PER FUNZIONARE?.....	33
Controllo del motore.....	34
Apparecchi e cavo di alimentazione CA.....	34
CONTROLLO LIVELLO OLIO MOTORE.....	36
CONTROLLO DEL FILTRO DELL'ARIA.....	37
PRECAUZIONI PER UN USO SICURO.....	39
FUNZIONAMENTO	40
AVVIAMENTO DEL MOTORE.....	40
ARRESTO DEL MOTORE.....	42
ARRESTO DEL MOTORE ABILITANDO <i>Bluetooth</i> [®] su uno SMARTPHONE.....	43
FUNZIONAMENTO IN C.A.....	44
Applicazioni a C.A.	46
FUNZIONAMENTO PARALLELO IN C.A.	47
Applicazioni di funzionamento parallelo in C.A.	48
SISTEMA DI ECO-ACCELERAZIONE.....	50
ALIMENTAZIONE ELETTRICA DI EMERGENZA.....	51
Collegamento al sistema elettrico di un edificio.....	51
Messa a terra del sistema.....	51
Requisiti speciali.....	52
MANUTENZIONE DEL GENERATORE	53
IMPORTANZA DELLA MANUTENZIONE.....	53
SICUREZZA DURANTE LA MANUTENZIONE.....	54
Precauzioni di sicurezza.....	54
PROGRAMMA DI MANUTENZIONE.....	55
CAMBIO DELL'OLIO MOTORE.....	56
MANUTENZIONE DEL FILTRO DELL'ARIA.....	57
Pulizia del filtro dell'aria in schiuma.....	57
MANUTENZIONE DELLA CANDELA.....	58
MANUTENZIONE DEL PARASCINTILLE.....	60
STOCCAGGIO	62
PREPARAZIONE PER LO STOCCAGGIO.....	62
Pulizia.....	62
Carburante.....	62
Olio motore.....	65
Cilindro motore.....	65
PRECAUZIONI DA SEGUIRE PER LO STOCCAGGIO.....	66
RIMOZIONE DAL LUOGO DI STOCCAGGIO.....	66

TRASPORTO	67
TRATTAMENTO DEI PROBLEMI IMPREVISTI	69
IL MOTORE NON SI AVVIA	69
PERDITA DI POTENZA DEL MOTORE	70
ASSENZA DI ALIMENTAZIONE ELETTRICA A LIVELLO DELLE PRESE A C.A.	70
INFORMAZIONI TECNICHE	71
UBICAZIONE DEL NUMERO DI SERIE	71
SPECIFICHE	72
INFORMAZIONI DI RIFERIMENTO	77
SUPPLEMENTO.....	fine del documento
<ul style="list-style-type: none">• DIAGRAMMA DEI COLLEGAMENTI• INDIRIZZI DEI PRINCIPALI DISTRIBUTORI Honda• DESCRIZIONE DEL CONTENUTO DELLA "Dichiarazione UK di Conformità"• DESCRIZIONE DEL CONTENUTO DELLA "Dichiarazione CE di Conformità"	

SICUREZZA DEL GENERATORE

INFORMAZIONI IMPORTANTI SULLA SICUREZZA

I generatori Honda sono progettati per l'uso con apparecchiature elettriche aventi requisiti di alimentazione elettrica adeguati. Altri usi possono causare infortuni all'operatore o danneggiare il generatore e altri beni personali.

La maggior parte degli infortuni o danni ai beni personali possono essere evitati seguendo tutte le istruzioni contenute nel presente manuale e sul generatore. Qui di seguito verranno illustrati i pericoli più comuni, e alcuni consigli per proteggere sé stessi e gli altri.

Responsabilità dell'operatore

- Non tentare mai di apportare modifiche al generatore. Questo potrebbe causare un incidente oltre a danneggiare il generatore e gli apparecchi. In caso di interventi sul motore si annulla l'approvazione del tipo UE del motore stesso.
 - Non collegare una prolunga alla marmitta.
 - Non modificare il sistema di aspirazione.
 - Non eseguire regolazioni sul regolatore.
 - Non rimuovere il pannello di controllo o non modificarne il cablaggio.
- Conoscere la procedura di arresto rapido del generatore in caso di emergenza.
- Comprendere l'uso di tutti i comandi del generatore, le prese di uscita e i collegamenti.
- Assicurarsi che tutti coloro che utilizzano il generatore abbiano ricevuto adeguate istruzioni relative al suo funzionamento.
- Proteggere i bambini tenendoli a distanza di sicurezza dal generatore.
- Rispettare le istruzioni sull'utilizzo e la manutenzione del generatore riportate nel presente manuale. Una mancata o parziale osservanza delle istruzioni può causare infortuni come scosse elettriche, nonché il deterioramento dei gas di scarico.
- Non azionare il generatore se anche uno dei coperchi è rimosso. Si rischia di rimanere intrappolati con una mano o un piede nel generatore e si potrebbe provocare un incidente.

- Rivolgersi al proprio concessionario autorizzato Honda in merito alle procedure di smontaggio e riparazione del generatore non incluse nel presente manuale.
- Rispettare tutte le leggi e i regolamenti vigenti nel luogo di impiego del generatore.
- La benzina e l'olio sono tossici. Prima dell'uso, attenersi alle istruzioni fornite da ciascun fabbricante.
- Collocare il generatore su una superficie stabile e piana prima di azionarlo.

Pericoli del monossido di carbonio

Lo scarico di un generatore contiene monossido di carbonio, un gas tossico incolore e inodore. Se inalato, il monossido di carbonio È LETALE NEL GIRO DI POCHI MINUTI. Per evitare l'intossicazione da monossido di carbonio, attenersi alle presenti istruzioni quando si utilizza il generatore:

- Azionare il generatore esclusivamente ALL'APERTO, lontano da finestre, porte e aperture di ventilazione con lo scarico del motore orientato a distanza da strutture occupate.
- Non azionare mai un generatore all'interno di un'abitazione, un box, cantina, seminterrato, qualsiasi tipo di veicolo, rimorchio, imbarcazione o qualsivoglia ambiente totalmente o parzialmente chiuso.
- Non azionare mai un generatore in prossimità di porte aperte, finestre, aperture di ventilazione o boccaporti.
- In caso di sospetta inalazione di monossido di carbonio recarsi immediatamente all'aria aperta e chiamare un medico.

I primi sintomi di esposizione al monossido di carbonio includono mal di testa, affaticamento, difficoltà respiratorie, nausea e vertigini. La protratta esposizione al monossido di carbonio può causare perdita della coordinazione muscolare, perdita di conoscenza e quindi la morte.

SICUREZZA DEL GENERATORE

Pericolo di scosse elettriche

Il generatore produce energia elettrica in quantità sufficiente a causare scosse elettriche di elevata intensità o elettrocuzione se operato in modo improprio.

- Non utilizzare in ambienti ad elevata umidità. Mantenere il generatore asciutto.
 - Non utilizzare in caso di pioggia o neve.
 - Non utilizzare in prossimità di specchi d'acqua o di un sistema di irrigazione a spruzzo.
 - Non utilizzare con le mani bagnate.
- Se il generatore viene conservato all'aperto, esposto alle intemperie, verificare tutti i componenti elettrici sul pannello di controllo prima di ogni uso. Umidità o ghiaccio possono provocare un guasto o un corto circuito nei componenti elettrici causando elettrocuzione.
- Non collegare all'impianto elettrico di un edificio a meno che non sia stato installato un sezionatore da un elettricista qualificato.
- Per il funzionamento parallelo, usare esclusivamente un cavo per funzionamento parallelo approvato da Honda (attrezzatura opzionale) quando si collega un generatore EU32i a un altro generatore EU32i.
- Non collegare mai modelli diversi di generatore.
- Se si è vittima di una scossa elettrica, contattare immediatamente un medico e richiedere assistenza.

Pericolo di incendi e ustioni

- L'impianto di scarico raggiunge temperature sufficientemente elevate da infiammare alcuni materiali.
 - Tenere il generatore a distanza di almeno 1 metro da edifici o qualsiasi tipo di veicolo, rimorchio, imbarcazione o altra apparecchiatura durante il funzionamento.
 - Non chiudere il generatore in alcun tipo di struttura.
 - Mantenere i materiali infiammabili a distanza di sicurezza dal generatore.
 - Non ostruire le ventole di aspirazione e di scarico, i tubi, le porte o limitare il flusso d'aria in entrata e uscita dal generatore.
 - Non aggiungere, rimuovere o modificare gli sportelli, i pannelli, i rivestimenti o le cinghie.
- Alcune parti del motore a combustione interno sono calde e possono provocare ustioni. Rispettare gli avvisi posti sul generatore.
- Durante il funzionamento la marmitta diventa estremamente calda e rimane molto calda per un po' di tempo dopo che il motore è stato spento. Non toccare la marmitta quando è calda. Lasciar raffreddare il motore prima di conservare il generatore al chiuso.
- Per spegnere eventuali incendi non versare l'acqua direttamente sul generatore. Utilizzare un estintore adeguato, studiato appositamente per incendi provocati da sistemi elettrici o dall'olio.
- Contattare immediatamente un medico e richiedere assistenza se sono stati inalati i fumi prodotti da un incendio accidentale del generatore.

Prestare la massima attenzione durante il rifornimento di carburante

La benzina è estremamente infiammabile e i suoi fumi sono esplosivi.

- Non effettuare il rifornimento durante il funzionamento.
- Attendere il raffreddamento del motore dopo l'utilizzo del generatore.
- Il rifornimento di carburante va eseguito esclusivamente all'aperto, in un'area ben ventilata su una superficie pianeggiante.
- Non fumare mai nei pressi della benzina e mantenere altre fiamme e scintille a distanza di sicurezza.
- Non riempire eccessivamente il serbatoio del carburante.
- Prima di avviare il motore, controllare di aver asciugato l'eventuale carburante versato.
- Conservare sempre la benzina in un contenitore apposito.

SICUREZZA DEL GENERATORE

Antideflagrante

Questo generatore non è antideflagrante.

Pericoli legati a veicoli e trasporto

- Scaricare il carburante dal serbatoio prima del trasporto.
- Non azionare il generatore durante il trasporto o quando si trova su qualsiasi tipo di veicolo, rimorchio o imbarcazione.
- Non azionare il generatore in un magazzino, container o gabbia di sicurezza, incluso qualsiasi tipo di vano per generatore in veicoli ricreazionali.
- Rimuovere sempre e interamente il generatore dal veicolo, veicolo ricreazionale, autocarro, rimorchio, imbarcazione o altra attrezzatura e struttura durante il funzionamento.
- Il generatore deve rimanere fermo durante il funzionamento.

Smaltimento

Nel rispetto dell'ambiente, non smaltire il generatore usato, la batteria, l'olio motore, ecc. insieme agli altri rifiuti.

Attenersi alle leggi e regolamenti locali o rivolgersi a un concessionario autorizzato Honda per lo smaltimento di queste parti.

Smaltire l'olio esausto secondo metodi e procedure rispettose dell'ambiente. Si consiglia di trasportarlo in un contenitore sigillato alla stazione di rifornimento locale. Non gettarlo nella spazzatura o rovesciarlo a terra.

Una batteria smaltita in maniera impropria può essere nociva per l'ambiente. Verificare sempre quali siano le norme vigenti a livello locale per lo smaltimento delle batterie. Rivolgersi al concessionario per una batteria di ricambio.

Smaltimento del generatore.



Non smaltire le apparecchiature elettriche con i rifiuti domestici tradizionali. Le apparecchiature elettriche devono essere smaltite in discariche o depositi specifici in quanto contenenti sostanze che possono fuoriuscire e causare reazioni impreviste, oppure entrare nella catena alimentare, danneggiando salute e benessere degli esseri umani. Per ulteriori informazioni sulle modalità di smaltimento di questo prodotto, contattare il concessionario, oppure il più vicino centro di raccolta dei rifiuti domestici.

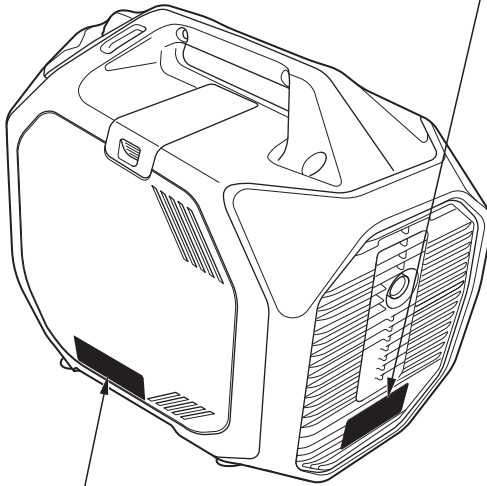
SICUREZZA DEL GENERATORE

UBICAZIONE DELLE ETICHETTE DI SICUREZZA

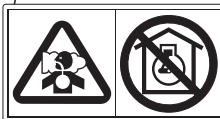
Queste etichette indicano i potenziali pericoli che possono provocare gravi lesioni. Leggerle con attenzione.

Se un'etichetta dovesse staccarsi o diventare illeggibile, rivolgersi al concessionario per la sua sostituzione.

ATTENZIONE CALDO



**LEGGERE IL MANUALE
DELL'UTENTE**



ATTENZIONE SCARICO



**ATTENZIONE
CARBURANTE**

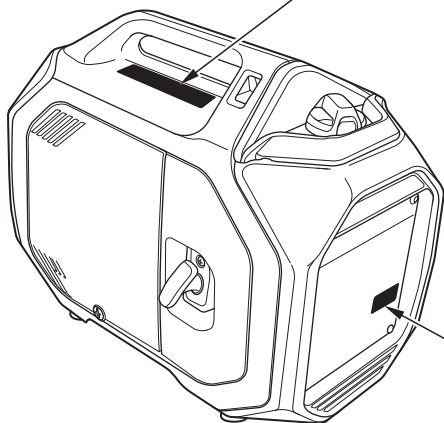
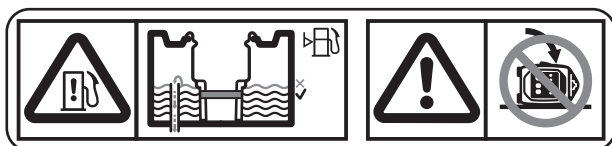


**ATTENZIONE
COLLEGAMENTO**

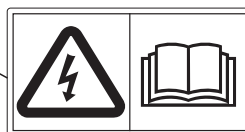
SICUREZZA DEL GENERATORE

NON RIEMPIRE ECCESSIVAMENTE

NON ROVESCiare



ATTENZIONE PRESA



SICUREZZA DEL GENERATORE



- Un sistema di scarico caldo può causare gravi ustioni.
Non toccarlo se il motore è stato in funzione.



- I generatori Honda sono progettati per operare in modo sicuro ed affidabile se usati secondo le istruzioni.
Prima di usare il generatore, leggere e comprendere il Manuale dell'utente. In caso contrario potrebbero verificarsi lesioni personali o danni alle attrezzature.

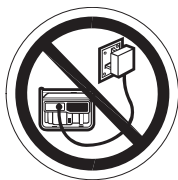


- Lo scarico contiene monossido di carbonio, un gas tossico incolore e inodore. La sua inalazione può causare la perdita di conoscenza e portare alla morte.
- Se si aziona il generatore in un ambiente ristretto o anche un'area parzialmente chiusa, l'aria che si respira potrebbe contenere una quantità pericolosa di gas di scarico.
- Non azionare mai il generatore all'interno di un box, abitazione o nei pressi di porte o finestre aperte.

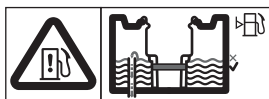


- La benzina è altamente infiammabile ed esplosiva. Spegnerne il motore e lasciarlo raffreddare prima di effettuare il rifornimento di carburante.

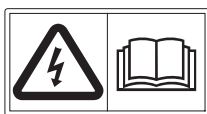
SICUREZZA DEL GENERATORE



- Collegamenti errati all'impianto elettrico dell'edificio possono provocare un ritorno di corrente dal generatore verso le linee elettriche. Tale ritorno di corrente comporta un rischio di elettrocuzione per i dipendenti dell'azienda elettrica o chiunque altro venga a contatto con le linee elettriche durante un'interruzione dell'erogazione elettrica di rete e il generatore potrebbe esplodere, infiammarsi o provocare incendi quando l'erogazione elettrica di rete viene ripristinata. Consultare l'azienda elettrica o un elettricista qualificato prima di stabilire qualsiasi tipo di collegamento elettrico.



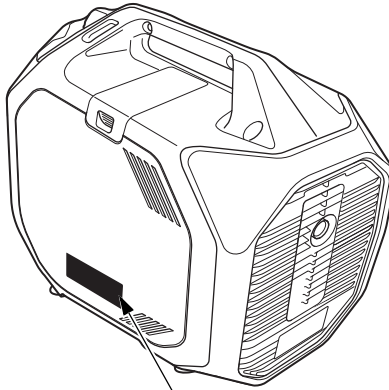
- Non riempire il serbatoio oltre il limite segnato in rosso. Se si riempie eccessivamente il serbatoio del carburante o si versa sul generatore, il carburante potrebbe penetrare attraverso il tubo di ventilazione provocando una perdita o un incendio. Si corre il rischio di ustioni o gravi lesioni.



- Collegare e rimuovere la scatola per la presa per il funzionamento in parallelo a motore spento.
- Per il funzionamento in modalità singola, è necessario rimuovere la scatola per la presa per il funzionamento in parallelo.

SICUREZZA DEL GENERATORE

- Posizioni delle etichette del marchio CE, marchio UKCA e rumorosità




ETICHETTA DEL MARCHIO CE, MARCHIO UKCA e RUMOROSITÀ

Etichetta indicante i valori di rumorosità

Classe di prestazione

Nome e indirizzo del produttore

Categoria qualitativa

 LWA		EU32i		UKCA	
91 dB		CE Low-power generating set EN ISO 8528-13		G1	
Maximum power	MAX 3.2 kW	50 Hz	G1		
Rated power	COP 2.6 kW	230 V	A		
Rated power factor	1.0	11.3 A	IP23M		
Year of Mfg.		Mass	kg		

Anno di fabbricazione

Codice IP

Massa a secco (peso)

Nome e indirizzo del rappresentante autorizzato

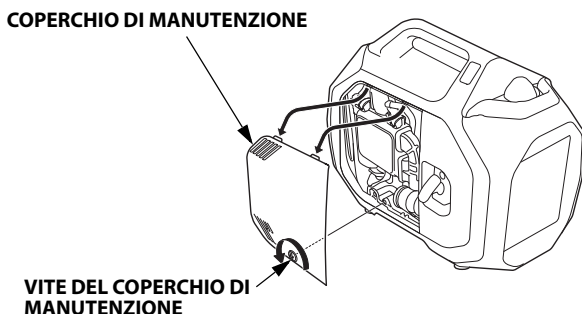
Il nome e l'indirizzo del produttore e del rappresentante autorizzato sono contenuti nel PROSPETTO DEI CONTENUTI della "Dichiarazione di conformità" nel presente manuale dell'utente.

ISTRUZIONI PER IL PRIMO UTILIZZO

OLIO MOTORE

Il generatore viene spedito **SENZA OLIO** nel motore.

1. Posizionare il generatore su una superficie in piano.
2. Allentare la vite del coperchio di manutenzione e rimuoverlo.

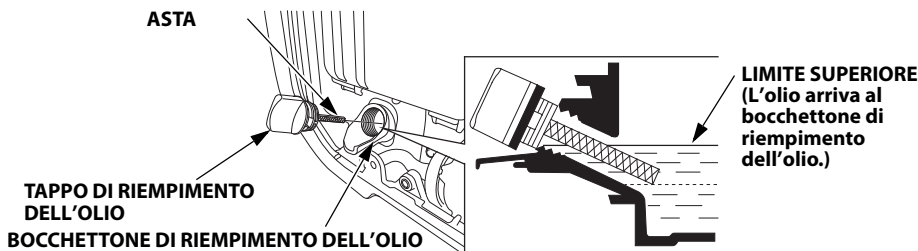


3. Con il generatore in posizione piana, rimuovere il tappo di riempimento dell'olio ruotandolo in senso antiorario.
4. Aggiungere una quantità di olio sufficiente a portare il livello dell'olio in corrispondenza della tacca superiore del bocchettone di riempimento olio. Si consiglia SAE10W-30 di categoria SE o successiva (o equivalente) per un uso generico; per altri tipi consigliati (vedere a pagina 17).

Capacità massima olio: 0,46 litri

Non riempire eccessivamente il motore di olio. Se è presente una quantità eccessiva di olio nel motore, l'olio in eccesso potrebbe trasferirsi nell'alloggiamento del filtro dell'aria e nel filtro stesso.

5. Avvitare saldamente il tappo di riempimento dell'olio.



6. Riposizionare il coperchio di manutenzione e serrarne saldamente la vite.

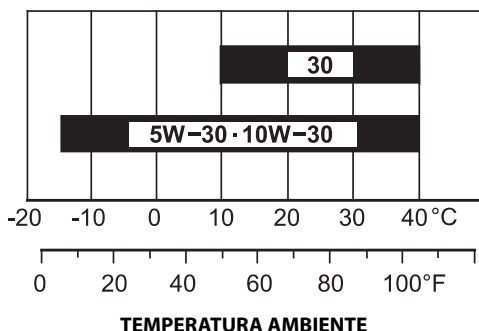
ISTRUZIONI PER IL PRIMO UTILIZZO

OLI MOTORE CONSIGLIATI

L'olio è un fattore determinante per le prestazioni e la vita utile. Utilizzare un olio detergente per motore a 4 tempi.

SAE 10W-30 è raccomandato per un uso generico. È possibile utilizzare le altre viscosità indicate nella tabella quando la temperatura media della propria zona è compresa nell'intervallo consigliato.

Specifiche dell'olio lubrificante necessarie per mantenere le prestazioni dell'impianto di controllo emissioni: Olio originale, prodotto da Honda.



Leggere le istruzioni sul contenitore dell'olio prima di usarlo.

La viscosità dell'olio SAE e la categoria API sono indicate sull'etichetta API sul contenitore dell'olio. Honda consiglia di utilizzare olio di categoria API SE o successiva (o equivalente).

ISTRUZIONI PER IL PRIMO UTILIZZO

CARBURANTE

Riempire il generatore di carburante in una zona ben ventilata. Aggiungere carburante soltanto all'aria aperta. Tenere la benzina a distanza di sicurezza da fiamme pilota di apparecchiature, barbecue, apparecchi e utensili elettrici ecc. Gli spargimenti di carburante rappresentano non soltanto un rischio di incendio ma causano anche danni a livello ambientale. Riempire il serbatoio con cautela per evitare di spargere il carburante. Pulire immediatamente eventuali perdite. Non riempire il serbatoio di carburante oltre la tacca (rossa) del livello massimo posta sul filtro del carburante. Dopo il rifornimento, riposizionare saldamente il tappo del serbatoio del carburante.

Quando opportuno, verificare il livello di carburante controllando la spia del livello del carburante a motore spento. Se il livello di carburante è basso, aspettare che il generatore si raffreddi e riempire il serbatoio di carburante.

Questo motore è certificato per funzionare con benzina senza piombo con un indice di ottano alla pompa pari a 89 o superiore. Far riferimento a "RACCOMANDAZIONI PER IL CARBURANTE" (vedere a pagina 20) per altri tipi di carburante consigliato.

AVVERTENZA

La benzina è altamente infiammabile ed esplosiva.

Quando si maneggia il carburante esiste un rischio di ustioni o lesioni gravi.

- Arrestare il motore e lasciarlo raffreddare prima di maneggiare il combustibile.
- Allontanare da calore, scintille e fiamme.
- Maneggiare il carburante solo all'aperto.
- Tenere lontano dal veicolo.
- Pulire immediatamente eventuali perdite.

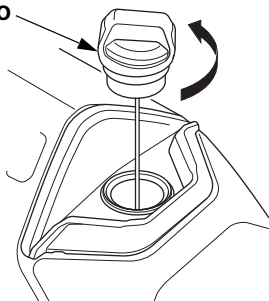
AVVISO

Il carburante può danneggiare la vernice e la plastica. Attenzione a non versare il carburante durante il rifornimento. I danni causati dallo spargimento di carburante non vengono coperti dalla garanzia.

ISTRUZIONI PER IL PRIMO UTILIZZO

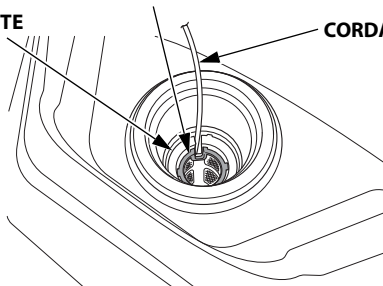
1. Rimuovere il tappo di riempimento del carburante.

**TAPPO DI RIEMPIMENTO
DEL CARBURANTE**



2. Riempire il serbatoio con cautela per evitare di spargere il carburante. Non riempire il serbatoio di carburante oltre la tacca (rossa) del livello massimo posta sul filtro del carburante.

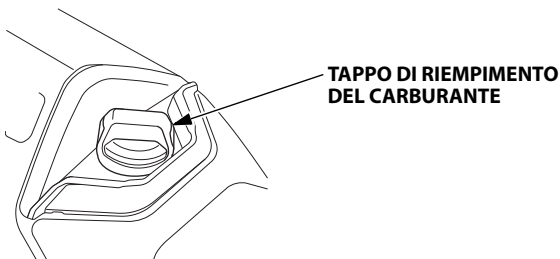
FILTRO CARBURANTE **TACCA DEL LIVELLO MASSIMO (ROSSA)**
CORDA



AVVISO

Il carburante può danneggiare la vernice e la plastica. Attenzione a non versare il carburante durante il rifornimento. I danni causati dallo spargimento di carburante non vengono coperti dalla garanzia.

3. Dopo il rifornimento, serrare il tappo di riempimento del carburante finché non scatta.



Spostare il generatore a una distanza di sicurezza di almeno 3 metri dalla fonte e dal luogo di rifornimento prima di avviare il motore.

ISTRUZIONI PER IL PRIMO UTILIZZO

RACCOMANDAZIONI PER IL CARBURANTE

Questo motore è certificato per funzionare con benzina senza piombo con un indice di ottano alla pompa pari a 89 o superiore.

Specifiche (specifiche) del carburante necessaria(e) per mantenere le prestazioni dell'impianto di controllo emissioni: Carburante E10 indicato nella normativa UE.

Usare esclusivamente benzina senza piombo, altrimenti si rischia di compromettere l'efficacia del catalizzatore e influire negativamente sulle emissioni di scarico.

Non usare benzina stantia, contaminata o mischiata con olio. Evitare di gettare sporcizia o acqua nel serbatoio del carburante.

Si può usare benzina senza piombo normale contenente non più del 10% di etanolo (E10) o del 5% di metanolo per volume. Inoltre, il metanolo deve contenere cosolventi e inibitori di corrosione.

L'uso di carburanti con un contenuto di etanolo o metanolo superiore a quanto sopraindicato può causare problemi di accensione e/o di prestazioni. Può anche danneggiare le parti in metallo, gomma e plastica dell'impianto di alimentazione.

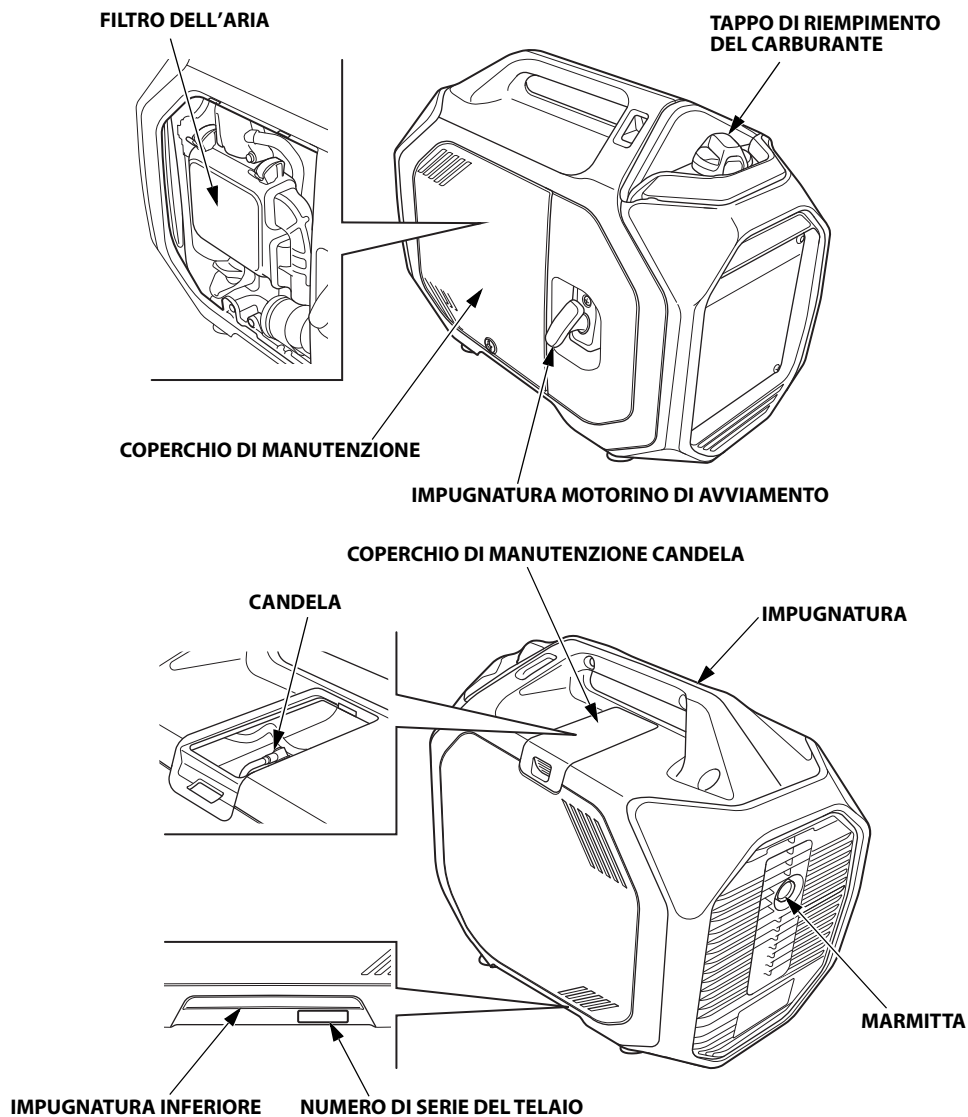
Eventuali danni al motore o problemi di prestazioni derivanti dall'uso di carburanti contenenti percentuali di etanolo o metanolo superiori a quanto sopraindicato e di benzina con piombo non sono coperti dalla garanzia.

Se l'apparecchiatura verrà utilizzata con poca frequenza o saltuariamente, consultare la sezione sul carburante del capitolo "STOCCAGGIO" (vedere pagina 62) per ulteriori informazioni sul deterioramento del carburante.

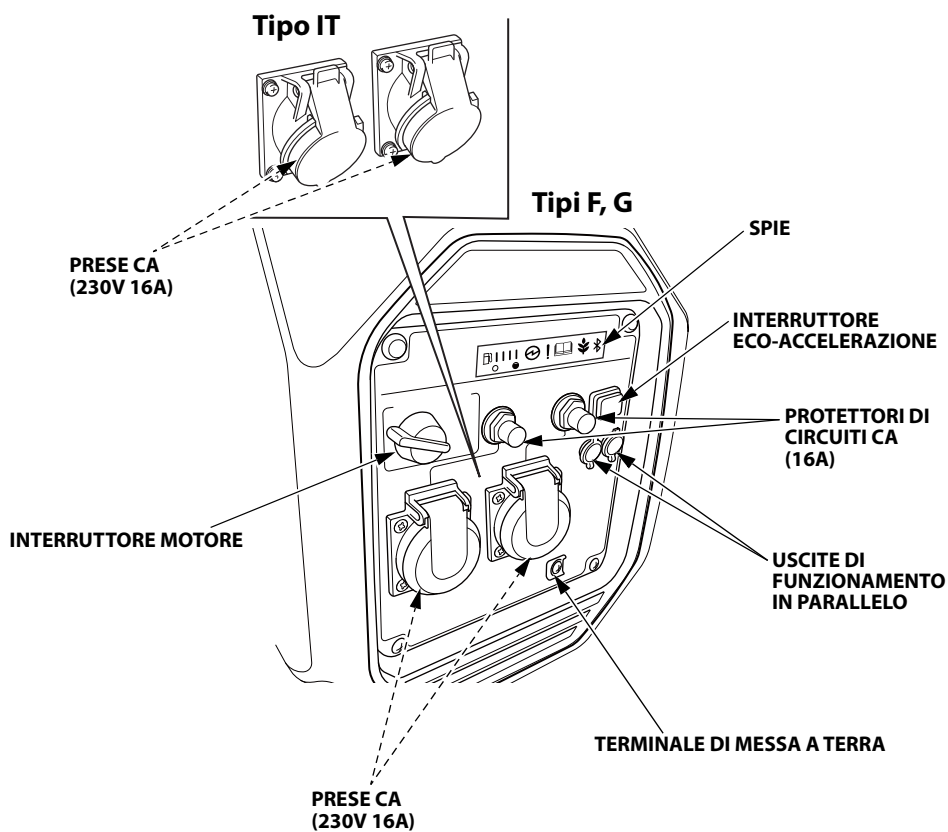
COMANDI E FUNZIONI

UBICAZIONE DEI COMPONENTI E DEI COMANDI

Usare le illustrazioni su queste pagine per individuare e identificare i comandi utilizzati più spesso.



COMANDI E FUNZIONI



COMANDI

Interruttore motore

L'interruttore del motore controlla il sistema di accensione.

OFF - Spegne il motore.

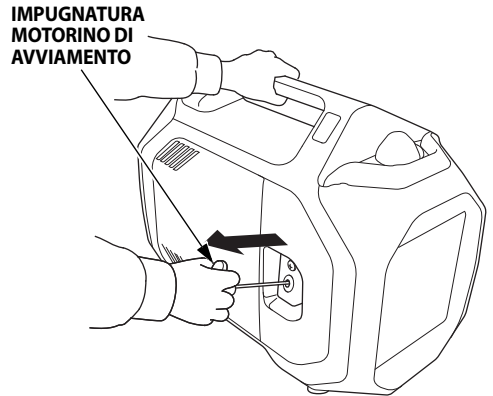
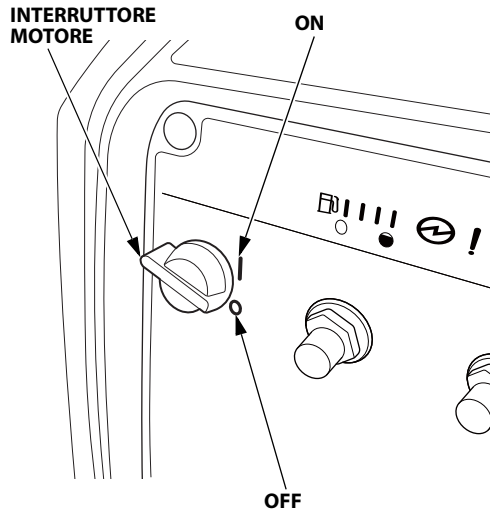
ON - Posizione di funzionamento e per l'avviamento a strappo.

Impugnatura motorino di avviamento

Tirando l'impugnatura del motorino di avviamento si aziona l'avviatore a strappo per avviare il motore.

AVVISO

Non lasciare che l'impugnatura del motorino di avviamento ritorni di scatto verso il motore. Riportarla in posizione con cautela per evitare di danneggiare il motorino di avviamento.



COMANDI E FUNZIONI

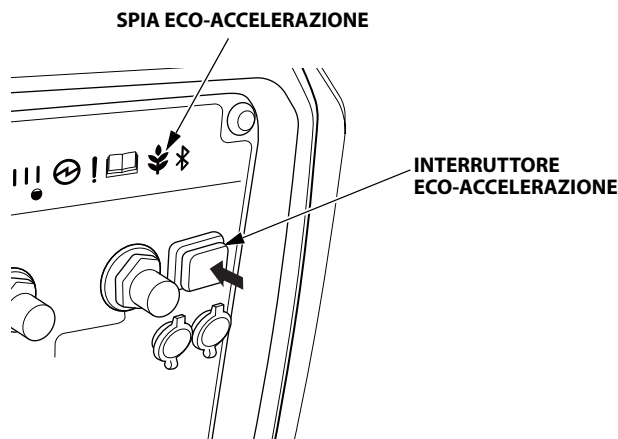
Interruttore di eco-accelerazione

Il sistema di eco-accelerazione riduce automaticamente il regime del motore quando tutti i carichi sono spenti o disconnessi. Quando gli apparecchi vengono accesi o ricollegati, il motore ritorna al corretto regime per alimentare il carico elettrico.

Ogni volta che si preme l'interruttore di eco-accelerazione, il sistema si accende e spegne.

Se carichi elettrici elevati vengono collegati simultaneamente, portare l'interruttore di eco-accelerazione nella posizione OFF per ridurre le variazioni di tensione.

Sistema eco-accelerazione ON	La spia si illumina (verde) <ul style="list-style-type: none">• Consigliata per ridurre al minimo il consumo di carburante e ridurre ulteriormente i livelli di rumorosità quando meno di un intero carico viene applicato al generatore.
Sistema di eco-accelerazione OFF	La spia si spegne <ul style="list-style-type: none">• Il sistema di eco-accelerazione non è attivo.



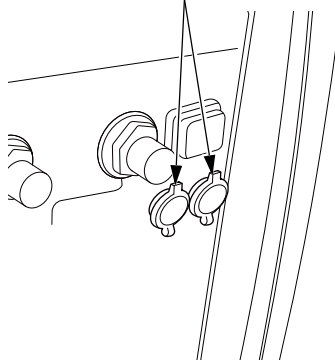
RIPRISTINO PER SOVRACCARICO:

Se la produzione di corrente si arresta per sovraccarico e la spia di segnalazione sovraccarico lampeggia, è disponibile la funzione di ripristino per sovraccarico. Dopo aver eliminato la causa del sovraccarico, è possibile riprendere la produzione di corrente tenendo premuto l'interruttore di eco-accelerazione (per più di 3 secondi).

Uscite per il funzionamento in parallelo

Queste uscite vengono utilizzate per collegare due generatori EU32i per il funzionamento in parallelo (vedere pagine 47 - 49). Per il funzionamento in parallelo è necessario un cavo per il funzionamento in parallelo (dispositivo opzionale) approvato da Honda. Tale cavo può essere acquistato presso il concessionario.

USCITE DI FUNZIONAMENTO IN PARALLELO



Interruttori di protezione di circuiti a C.A.

I protettori di circuiti a C.A. passano automaticamente su CHIUSURA in presenza di un cortocircuito o di un sovraccarico significativo del generatore su ciascuna presa. In caso di spegnimento automatico di un interruttore di protezione di circuiti a C.A., controllare che l'apparecchio funzioni correttamente e che non superi la capacità di carico nominale calcolata del circuito prima di riaccendere la protezione di circuiti a C.A..

Tipi F, G

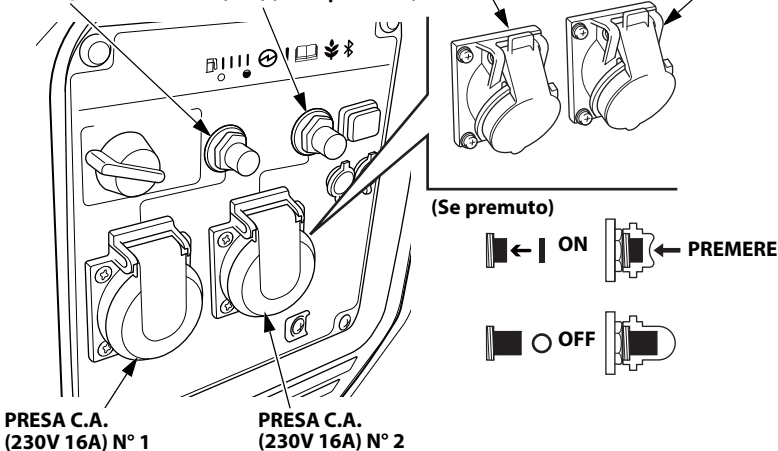
INTERRUTTORE DI PROTEZIONE DI CIRCUITI C.A. (16A) (Per la presa n° 1)

INTERRUTTORE DI PROTEZIONE DI CIRCUITI C.A. (16A) (Per la presa n° 2)

Tipo IT

PRESA C.A. (230V 16A) N° 1

PRESA C.A. (230V 16A) N° 2



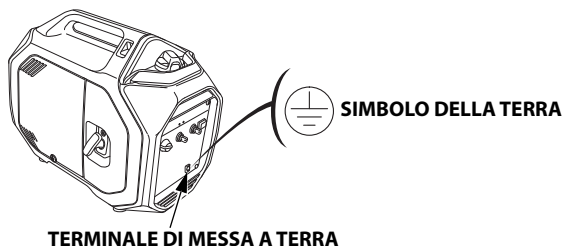
COMANDI E FUNZIONI

FUNZIONI

Terminale di messa a terra

Il terminale di messa a terra è collegato al telaio del generatore, alle parti metalliche non in tensione del generatore e ai terminali di messa a terra di ciascuna presa.

Prima di usare il terminale di messa a terra, contattare un elettricista qualificato, un ispettore elettrico o un ente locale competente in materia di ordinanze e regolamenti locali attinenti all'uso previsto del generatore.



Il generatore produce energia elettrica in quantità sufficiente a causare scosse elettriche di elevata intensità o elettrocuzione se operato in modo improprio. Collegare a terra il generatore nel caso in cui l'apparecchio a cui è collegato sia collegato a terra.

Per collegare a terra il generatore, utilizzare un cavo in rame con diametro uguale o maggiore del cavo dell'apparecchio collegato.

Utilizzare un cavo di prolunga con conduttore di terra quando si collega un apparecchio con conduttore di terra.

Per identificare il perno di messa a terra nella presa, fare riferimento alla pagina Presa 76.

Spia del livello del carburante

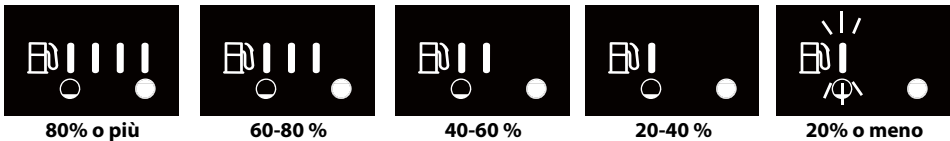
La spia del livello del carburante è un dispositivo meccanico che misura il livello del carburante nel serbatoio.

Per incrementare il tempo operativo, iniziare con il serbatoio pieno prima dell'entrata in funzione. Controllare il livello del carburante con il generatore su una superficie in piano. Effettuare il rifornimento di carburante sempre a motore spento e freddo.



SPIA DEL LIVELLO DEL CARBURANTE

A seconda del livello di carburante del generatore, la spia sarà visualizzata come segue:



Spia di erogazione corrente

La spia di erogazione corrente (verde) si illumina quando il generatore funziona normalmente. Indica che il generatore sta producendo corrente elettrica nelle prese.

Inoltre, la spia di erogazione corrente è dotata di una funzione contaore semplificata. Quando si avvia il motore, la spia indica le ore di utilizzo totali mediante le seguenti sequenze di lampeggi:

- Nessun lampeggio: 0-100 ore
- 1 lampeggio: 100-200 ore
- 2 lampeggi: 200-300 ore
- 3 lampeggi: 300-400 ore
- 4 lampeggi: 400-500 ore
- 5 lampeggi: 500 o più ore



SPIA DI EROGAZIONE CORRENTE (VERDE)

COMANDI E FUNZIONI

Allarme di sovraccarico (Spia)

Se il generatore è sovraccarico (eccesso di 3,2 kVA) oppure si verifica un cortocircuito in un apparecchio collegato, si accende la spia di segnalazione sovraccarico (rossa). La spia rossa di segnalazione sovraccarico rimane accesa e, dopo circa dieci secondi (in caso di sovraccarico) o dopo circa cinque secondi (in caso di corto circuito), l'erogazione di corrente all'apparecchio/i connesso/i viene interrotta e l'omonima spia verde si spegne. Tuttavia, il motore continua a funzionare.

Se la spia di segnalazione sovraccarico (rossa) lampeggia in modo continuo, tenere premuto l'interruttore di eco-accelerazione per ripristinarla (vedere pagina 24).



Spia di controllo/Oil Alert e controllo dell'olio

Il sistema Oil Alert è progettato per evitare che il motore subisca dei danni dovuti ad una quantità insufficiente di olio nel carter. Prima che il livello di olio nel carter diminuisca sotto il limite di sicurezza o in caso di surriscaldamento del motore, la spia (rossa) Controllo/Oil Alert si accende e il sistema Oil Alert arresta automaticamente il motore (l'interruttore motore resta in posizione ON).

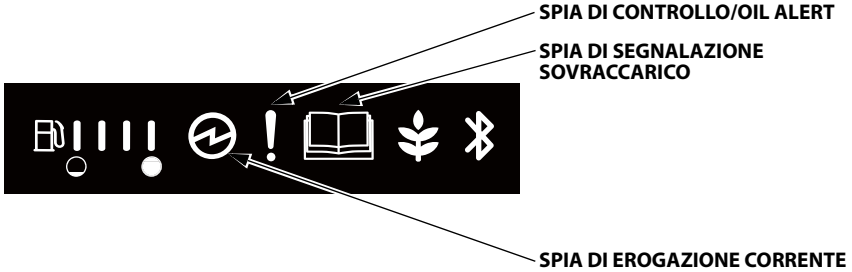
Se il motore si spegne o la spia (rossa) Controllo/Oil Alert si accende quando si tira la maniglia di avviamento a strappo, controllare il livello dell'olio motore (vedere pagina 36) prima di considerare altre possibili cause. Accertarsi inoltre di posizionare il generatore su una superficie in piano.

Il motore potrebbe spegnersi a causa dell'attivazione del sistema Oil Alert anche se il livello dell'olio motore è normale quando il generatore viene inclinato.

Se la spia (rossa) di Controllo/Oil Alert lampeggia in modo continuo, potrebbe essere indice di un malfunzionamento. Contattare quindi il concessionario.



Fasci di luce LED



Stato	Possibile causa	Spia di erogazione corrente	Spia di controllo/Oil Alert	Spia di segnalazione sovraccarico
Normale	In funzionamento normale	○	●	●
Problema di funzionamento	Guasto invertitore ecc.	○/●/☼	☼	●
Anomalo	Sovracorrente in uscita	●	●	○/☼
	Surriscaldamento invertitore	●	●	○
Avviso	<ul style="list-style-type: none"> • Livello olio motore basso • Rilevamento inclinazione • Surriscaldamento motore 	●	○	●

○: ON

●: OFF

☼: Lampeggiante

Vedere "TRATTAMENTO DEI PROBLEMI IMPREVISTI" a pagina 69 per la diagnosi dei guasti.

COMANDI E FUNZIONI

Funzione *Bluetooth*[®]

Il generatore è collegato a uno smartphone tramite una connessione *Bluetooth*[®].

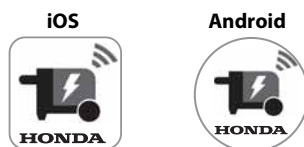
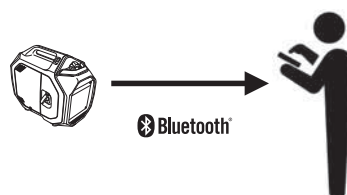
- L'intervallo fra lo smartphone su cui è abilitato il *Bluetooth*[®] e il generatore può essere aumentato in presenza di una visuale chiara e senza ostacoli fra i dispositivi. Il tipo di smartphone utilizzato e l'ambiente circostante, le strutture e le interferenze elettroniche possono influenzare la distanza di connessione.

Applicazione per smartphone

L'applicazione Honda per smartphone "My Generator" è da utilizzarsi esclusivamente con i generatori Honda dotati della tecnologia *Bluetooth*[®].

L'applicazione è in grado di eseguire le seguenti funzioni:

- Arresto da remoto:
Permette di arrestare il motore del generatore a distanza
- Cambiare da remoto il sistema di eco-accelerazione a distanza
- Controllo da remoto:
Consente di visualizzare il livello di potenza in uscita e il livello di carburante residuo ecc.
- Ricezione di notifiche:
È possibile ricevere avvisi di errori e di manutenzione



Per scaricare l'applicazione

Andare su App Store (iOS) o Google Play (Android) e cercare Honda "My Generator" per scaricare l'applicazione.

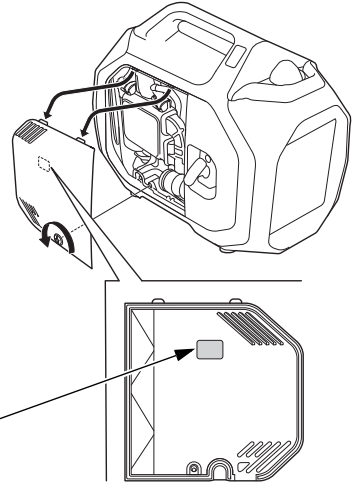
Associazione (soltanto per la prima connessione)

Far riferimento alla pagina di supporto dell'applicazione Honda per smartphone "My Generator" per associare lo smartphone al generatore.

- Eseguire l'operazione di associazione entro 30 secondi dall'accensione del motore.



SPIA BLUETOOTH



PASSWORD BLUETOOTH

A seconda della connessione *Bluetooth*[®] del generatore, la spia sarà visualizzata come segue:

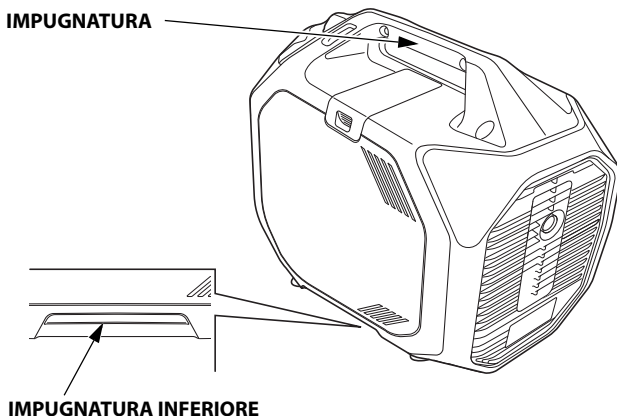
- OFF: Non connesso
- Lampeggia velocemente: Malfunzionamento
- Lampeggia lentamente: Associazione disponibile
- ON: Connesso

COMANDI E FUNZIONI

Impugnatura e impugnatura inferiore

Utilizzare l'impugnatura con la mano per sollevare il generatore.

Oltre ad utilizzare l'impugnatura, è possibile sollevare il generatore con l'altra mano utilizzando l'impugnatura inferiore se necessario.



PRIMA DELL'UTILIZZO

PRONTI A COMINCIARE?

Siete responsabili della vostra stessa sicurezza. Dedicare qualche minuto ai necessari preparativi ridurrà considerevolmente il rischio di infortunio.

Conoscenza

Leggere e comprendere il presente manuale. Conoscere le funzioni dei comandi e come adoperarli.

Familiarizzarsi con il generatore e il suo funzionamento prima di iniziare a utilizzarlo. Conoscere la procedura di arresto rapido del generatore in caso di emergenza.

Se il generatore viene utilizzato per alimentare degli apparecchi, verificare che essi non superino il limite di carico nominale del generatore (vedere pagine 46 e 49).

IL GENERATORE È PRONTO PER FUNZIONARE?

Per la propria sicurezza, per garantire la conformità alle normative ambientali e per massimizzare la vita utile dell'apparecchiatura, è estremamente importante dedicare alcuni istanti alla verifica delle condizioni del generatore prima di accenderlo. Occuparsi dei problemi eventualmente individuati o farli risolvere dal concessionario prima di azionare il generatore.

AVVERTENZA

La manutenzione non corretta del generatore o la mancata risoluzione di un problema prima dell'utilizzo può provocare dei gravi problemi di funzionamento.

Alcuni problemi di funzionamento possono provocare gravi lesioni o la morte.

Svolgere sempre un'ispezione preliminare ad ogni azionamento e correggere eventuali problemi.

PRIMA DELL'UTILIZZO

Per evitare il rischio di incendio, tenere il generatore ad almeno 1 metro di distanza da edifici, veicoli o altre apparecchiature durante il funzionamento. Non collocare oggetti infiammabili vicino al motore o allo scarico.

Prima di iniziare i controlli preliminari, verificare che il generatore sia posizionato su una superficie solida e piana e che l'interruttore del motore sia nella posizione OFF.

Controllo del motore

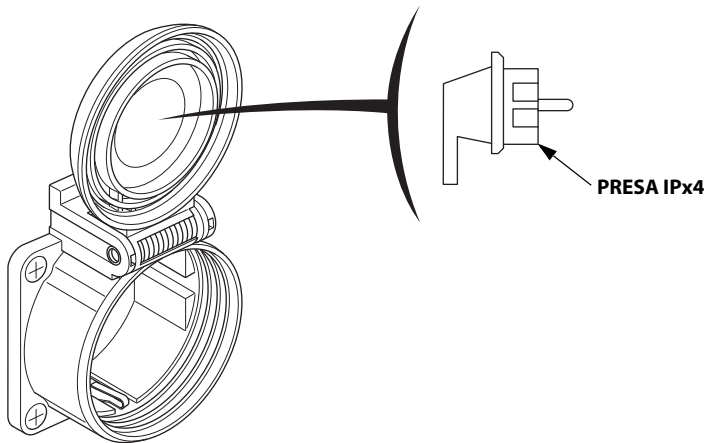
- Prima dell'uso, verificare se intorno e sotto al motore sono presenti segni di perdite di olio o benzina.
- Controllare il livello dell'olio motore (vedere pagina 36). Un livello insufficiente di olio motore indurrà il sistema Oil Alert a spegnere il motore.
- Controllare i filtri dell'aria (vedere pagina 37). I filtri dell'aria sporchi limitano il flusso d'aria all'impianto di alimentazione, riducendo le prestazioni del motore e del generatore.
- Controllare il livello del carburante (vedere pagina 18). L'avviamento a serbatoio pieno contribuisce ad eliminare o ridurre le interruzioni del funzionamento per dover effettuare il rifornimento.

Apparecchi e cavo di alimentazione CA

Prima di collegare un apparecchio o un cavo di alimentazione CA al generatore:

- Usare cavi di prolunga tripolari, strumenti e apparecchi con messa a terra o strumenti e apparecchi a doppio isolamento.
- Controllare i cavi e le spine e sostituirli se danneggiati.
- Verificare che l'apparecchio funzioni correttamente. Cavi di alimentazione o apparecchi difettosi possono rappresentare un potenziale rischio di elettrocuzione.
- Verificare che la potenza elettrica nominale dell'utensile o apparecchio non sia superiore alla potenza nominale del generatore o della presa utilizzata.
- Non superare il limite di corrente specificato per una qualsiasi presa.
- Laddove sia necessario un cavo di prolunga, usare un cavo flessibile con una robusta guaina di gomma (a norma IEC 245 o equivalente).
Quando si utilizza una prolunga, il valore della resistenza non deve superare 1,5 Ω .

- Lunghezza limite dei cavi di prolunga: 60 m per i cavi di 1,5 mm² e 100 m per i cavi di 2,5 mm². Lunghi cavi di prolunga ridurranno la potenza utile a causa della loro resistenza.
- Mantenere il generatore lontano da altri cavi o fili elettrici come linee di alimentazione elettrica commerciali.
- Tipo G
ATTENZIONE: Quando si connette una presa angolare, utilizzare esclusivamente una presa IPx4.

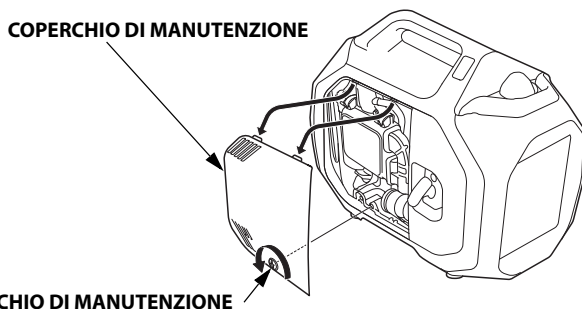


PRIMA DELL'UTILIZZO

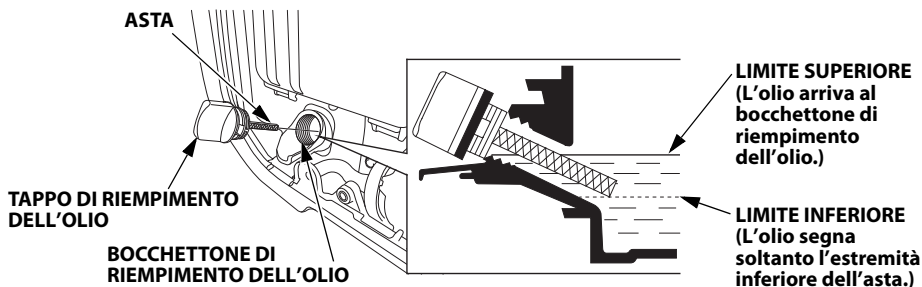
CONTROLLO LIVELLO OLIO MOTORE

Controllare il livello dell'olio motore con il generatore su una superficie piana e a motore spento.

1. Allentare la vite del coperchio di manutenzione e rimuoverlo.



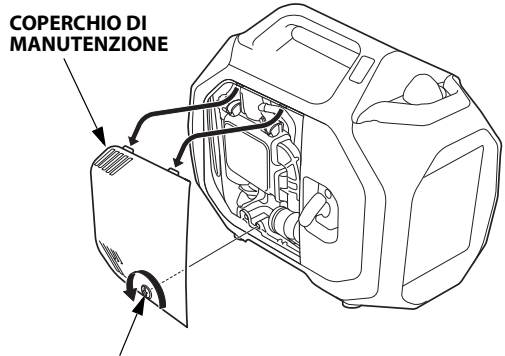
2. Rimuovere il tappo di riempimento dell'olio ruotandolo in senso antiorario. Pulire l'asta.
3. Inserire l'asta nel bocchettone di riempimento dell'olio come mostrato, ma senza avvitare, quindi rimuoverla per verificare il livello dell'olio.
4. Se si trova al di sotto o vicino al limite inferiore, rabboccare con olio di tipo consigliato fino al limite superiore. Non riempire eccessivamente.
 - "Limite superiore" significa che l'olio arriva al bocchettone di riempimento dell'olio.
 - "Limite inferiore" significa che l'olio segna soltanto l'estremità inferiore dell'asta.Fare riferimento a "OLI MOTORE CONSIGLIATI" a pagina 17.
5. Riposizionare saldamente il tappo di riempimento dell'olio.
6. Riposizionare il coperchio di manutenzione e serrarne saldamente la vite.



Il sistema Oil Alert arresterà automaticamente il motore prima che l'olio scenda al di sotto dei limiti di sicurezza. Tuttavia, per evitare l'inconveniente di uno spegnimento improvviso, controllare periodicamente il livello dell'olio.

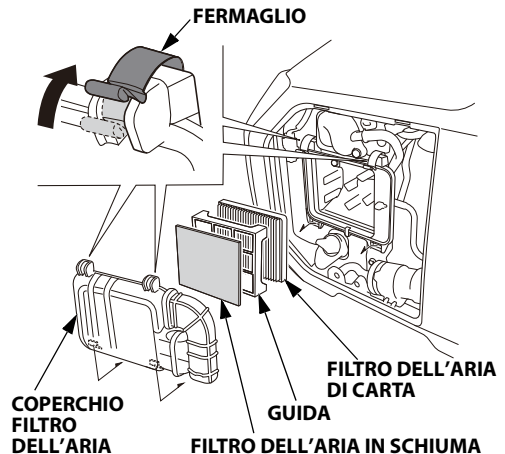
CONTROLLO DEL FILTRO DELL'ARIA

1. Allentare la vite del coperchio di manutenzione e rimuoverlo.



2. Sganciare i fermagli del coperchio del filtro dell'aria; rimuovere il coperchio del filtro dell'aria.

3. Rimuovere il filtro dell'aria in schiuma dal coperchio del filtro dell'aria.



4. Controllare il filtro dell'aria in schiuma per verificare che sia pulito e in buone condizioni. Se il filtro dell'aria in schiuma è sporco, pulirlo come descritto a pagina 57. Sostituire il filtro dell'aria in schiuma se è danneggiato.

5. Riposizionare il filtro dell'aria in schiuma nel coperchio del filtro dell'aria.

6. Rimuovere il filtro di carta dalla guida.

7. Se il filtro dell'aria in carta è sporco, sostituirlo con uno nuovo. Non pulire il filtro dell'aria in carta.

PRIMA DELL'UTILIZZO

8. Riposizionare il filtro dell'aria in carta, la guida e il coperchio del filtro dell'aria.
9. Riposizionare il coperchio di manutenzione e serrarne saldamente la vite.

AVVISO

L'azionamento del motore sprovvisto di filtri dell'aria o con uno dei filtri dell'aria danneggiato consentirà alle impurità di penetrare nel motore, provocandone una rapida usura. Questo tipo di danno non è coperto dalla Garanzia.

PRECAUZIONI PER UN USO SICURO

Prima di azionare il generatore, rileggere i capitoli "SICUREZZA DEL GENERATORE" (vedere pagina 6).

Per la propria sicurezza, non azionare il generatore in un ambiente chiuso o parzialmente chiuso quale un garage (anche se la porta è aperta) o in prossimità di strutture o veicoli. I gas di scarico del generatore contengono monossido di carbonio, un gas velenoso che può rapidamente saturare tali ambienti, strutture, veicoli, rimorchi o imbarcazioni.

- Non azionare il generatore in un magazzino, container o gabbia di sicurezza, incluso qualsiasi tipo di vano per generatore in veicoli ricreazionali.
- Rimuovere sempre e interamente il generatore dal veicolo, rimorchio, imbarcazione o altra attrezzatura o struttura durante il funzionamento.
- Il generatore deve rimanere fermo durante il funzionamento.

AVVERTENZA

I gas di scarico contengono monossido di carbonio, un gas velenoso che in ambienti chiusi o parzialmente chiusi può raggiungere livelli nocivi.

Respirare monossido di carbonio può portare alla perdita di conoscenza o alla morte.

Non utilizzare il motore di questo prodotto in un'area chiusa o parzialmente chiusa.

FUNZIONAMENTO

AVVIAMENTO DEL MOTORE

Per evitare il rischio di incendio, tenere il generatore ad almeno 1 metro di distanza da edifici o pareti di rimorchi, veicoli, rimorchi, imbarcazioni o altre apparecchiature durante il funzionamento. Non collocare oggetti infiammabili vicino al motore o allo scarico.

AVVISO

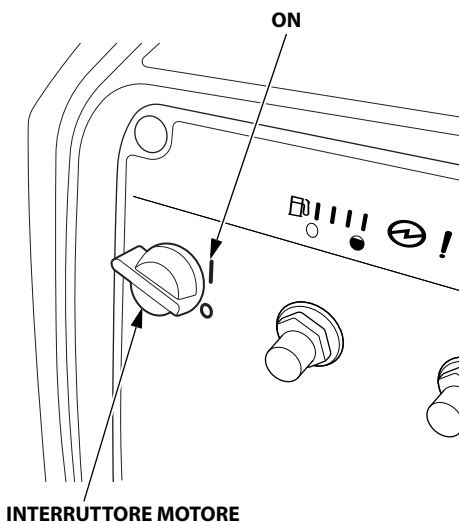
- Azionare il presente generatore a una distanza inferiore a 1 metro da un edificio, ostacolo o quando si trova in un ambiente chiuso, un magazzino o gabbia/compartimento di sicurezza, potrebbe provocare il surriscaldamento e danneggiamento del generatore.
- Per un adeguato raffreddamento, lasciare almeno 1 metro di spazio vuoto sopra e attorno il generatore.

Mantenere aperte e sgombre da detriti, fango, acqua ecc. tutte le prese d'aria di raffreddamento. Le prese d'aria di raffreddamento sono ubicate sul pannello laterale, sul pannello di controllo e nella parte inferiore del generatore. Se le prese d'aria di raffreddamento vengono ostruite, il generatore potrebbe surriscaldarsi danneggiando il motore, l'inverter o gli avvolgimenti.

Fare riferimento alle "PRECAUZIONI PER UN USO SICURO" a pagina 39 ed eseguire i controlli "IL GENERATORE È PRONTO PER FUNZIONARE?" (vedere pagina 33).

Consultare il "FUNZIONAMENTO IN C.A." (vedere pagina 44) per il collegamento dei carichi al generatore.

1. Verificare che tutti gli apparecchi siano scollegati dalle prese a C.A..
2. Ruotare l'interruttore del motore in posizione ON.

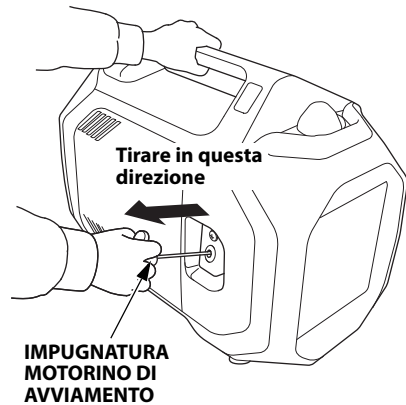


3. Tirare lentamente l'impugnatura del motorino di avviamento fino ad incontrare resistenza, quindi tirare di scatto verso la direzione indicata dalla freccia in figura.

AVVISO

Non lasciare che l'impugnatura del motorino di avviamento ritorni di scatto verso il motore. Riportarla in posizione con cautela per evitare di danneggiare il motorino di avviamento.

4. Se non si desidera utilizzare il sistema di eco-accelerazione, premere l'interruttore di eco-accelerazione per spegnere l'omonimo sistema.

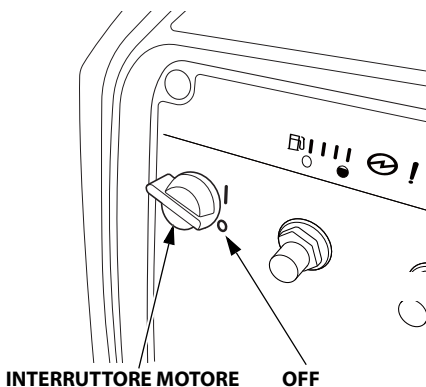


FUNZIONAMENTO

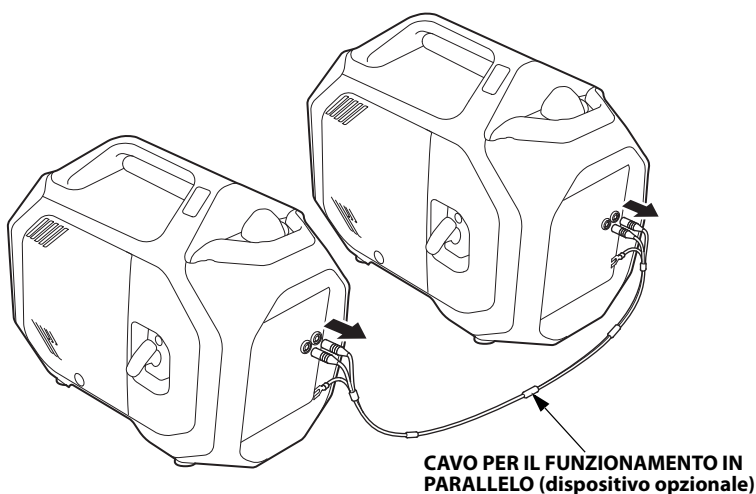
ARRESTO DEL MOTORE

Per arrestare il motore in caso di emergenza, spostare semplicemente l'interruttore del motore in modo sicuro nella posizione OFF (spento). In condizioni normali di utilizzo, procedere nel modo seguente.

1. Spegnerne o scollegare tutti gli apparecchi collegati al generatore.
2. Spostare l'interruttore del motore in modo sicuro nella posizione OFF (spento).



3. Se due generatori sono stati collegati per il funzionamento in parallelo, scollegare il cavo di funzionamento in parallelo dopo avere spento i motori se non si desidera riprendere il funzionamento in questa modalità.



Se il generatore non verrà usato per un periodo prolungato di tempo, fare riferimento a pagina 64 per informazioni per lo "DRENAGGIO DEL SERBATOIO DEL CARBURANTE".

ARRESTO DEL MOTORE ABILITANDO *Bluetooth*[®] su uno SMARTPHONE

È possibile arrestare il motore con uno smartphone abilitando il *Bluetooth*[®] e utilizzando un'applicazione *Bluetooth*[®].

Far riferimento all'applicazione *Bluetooth*[®] per verificare la connessione, il funzionamento e per supporto per associare uno smartphone.

FUNZIONAMENTO

FUNZIONAMENTO IN C.A.

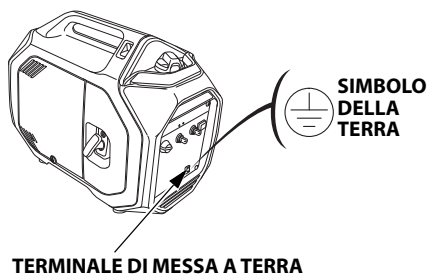
Se un apparecchio inizia a funzionare in maniera anomala, lenta o si ferma improvvisamente, spegnerlo immediatamente. Scollegare l'apparecchio e verificare se il problema sia riconducibile all'apparecchio o al superamento della capacità di carico nominale del generatore.

AVVISO

- *Un sostanziale sovraccarico che determina la continua accensione della spia (rossa) di segnalazione sovraccarico potrebbe danneggiare il generatore. Un sovraccarico marginale che determina la temporanea accensione della spia (rossa) di segnalazione sovraccarico potrebbe ridurre la durata utile del generatore.*
- *Verificare che tutti gli apparecchi siano in buone condizioni prima di collegarli al generatore. L'apparecchiatura elettrica (incluse le linee e connessioni alle prese) non dovrebbe essere difettosa. Se un apparecchio inizia a funzionare in maniera anomala, lenta o si ferma improvvisamente, spegnere immediatamente l'interruttore del motore del generatore. Quindi scollegare l'apparecchio e esaminarlo per cercare segni di malfunzionamento.*

Il generatore produce energia elettrica in quantità sufficiente a causare scosse elettriche di elevata intensità o elettrocuzione se operato in modo improprio. Collegare a terra il generatore nel caso in cui l'apparecchio a cui è collegato sia collegato a terra.

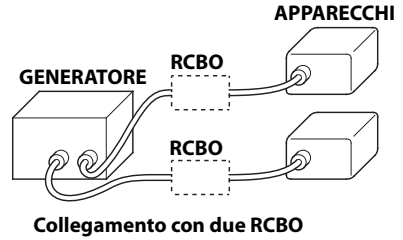
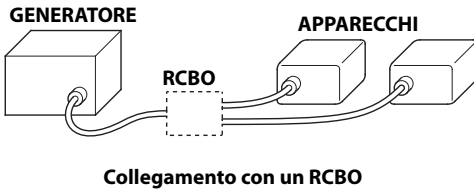
Per collegare a terra il generatore, utilizzare un cavo in rame con diametro uguale o maggiore del cavo dell'apparecchio collegato.



Utilizzare un cavo di prolunga con conduttore di terra quando si collega un apparecchio con conduttore di terra. Per identificare il perno di messa a terra nella presa, fare riferimento alla pagina Presa 76.

Se si utilizzano due o più apparecchi, collegare un RCBO (interruttore differenziale con protezione magneto-termica) da 30 mA con rilevamento guasti di messa a terra e interruzione inferiore a 0,4 secondi a più di 30 A di corrente erogata.

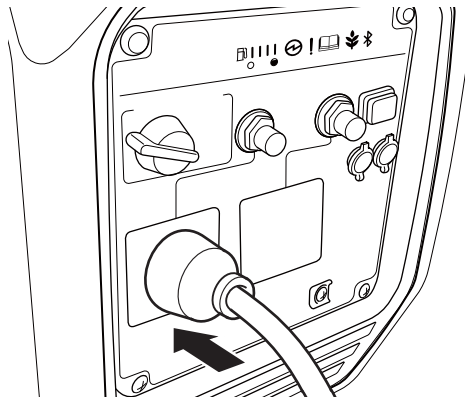
Prima dell'uso, attenersi alle istruzioni fornite da ciascun fabbricante di RCBO.



1. Avviare il motore (vedere pagina 40) e accertarsi che la spia di erogazione corrente (verde) passi su ON.



2. Collegare l'apparecchio.



FUNZIONAMENTO

3. Accendere l'apparecchio.

Se il generatore è sovraccarico (vedere pagina 46) oppure si verifica un corto circuito in un apparecchio connesso, si accende la spia di allarme di sovraccarico (rossa). La spia (rossa) di allarme di sovraccarico rimane accesa e, dopo circa dieci secondi (in caso di sovraccarico) o dopo circa cinque secondi (in caso di corto circuito), l'erogazione di corrente all'apparecchio/i connesso/i viene interrotta e l'omonima spia (verde) si spegne. Arrestare il motore e investigare il problema.

Determinare se la causa è un corto circuito in un apparecchio collegato o un sovraccarico. Eliminare il problema e riavviare il generatore.

Applicazioni a C.A.

Prima di collegare un apparecchio o un cavo di alimentazione al generatore:

- Verificare che funzioni correttamente. Cavi di alimentazione o apparecchi difettosi possono rappresentare un potenziale rischio di elettrocuzione.
- Se un apparecchio inizia a funzionare in maniera anomala, lenta o si ferma improvvisamente, spegnerlo immediatamente. Scollegare l'apparecchio e determinare se il problema sia riconducibile all'apparecchio o al superamento della capacità di carico nominale del generatore.

La maggior parte dei motorini di apparecchi richiede un wattaggio superiore a quello nominale per l'avviamento.

Verificare che la potenza elettrica nominale dell'utensile o apparecchio non sia superiore alla potenza nominale del generatore.

La potenza massima è:

3,2 kVA

Per il funzionamento continuo, non superare la potenza nominale.

La potenza nominale è:

2,6 kVA

In ogni caso, vanno tenuti presente i requisiti di potenza totale (VA) di tutti gli apparecchi collegati. I fabbricanti di apparecchi e utensili elettrici generalmente indicano le informazioni relative alla potenza nominale vicino al numero di modello o numero di serie.

AVVISO

Un sostanziale sovraccarico che determina la continua accensione della spia (rossa) di segnalazione sovraccarico potrebbe danneggiare il generatore. Un sovraccarico marginale che determina la temporanea accensione della spia (rossa) di segnalazione sovraccarico potrebbe ridurre la durata utile del generatore.

FUNZIONAMENTO PARALLELO IN C.A.

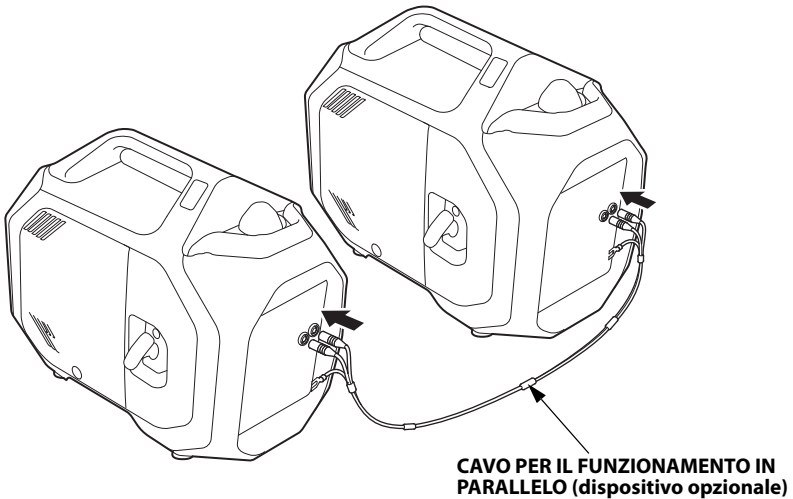
Prima di collegare un apparecchio a uno dei generatori, verificare che tale apparecchio sia in buone condizioni e che la sua potenza elettrica nominale non sia superiore a quella della presa.

La maggior parte degli apparecchi motorizzati richiede un wattaggio superiore a quello nominale per l'avviamento. Quando viene avviato un motorino elettrico, la spia (rossa) allarme sovraccarico potrebbe accendersi. Ciò è normale purché la spia (rossa) allarme di sovraccarico si spenga dopo circa 4 secondi.

Se la spia (rossa) di Controllo/Oil Alert lampeggia in modo continuo, contattare un concessionario Honda autorizzato.

Durante il funzionamento in parallelo, l'interruttore di eco-accelerazione dovrebbe trovarsi nella stessa posizione su entrambi i generatori.

1. Collegare il cavo di funzionamento in parallelo tra i due generatori EU32i seguendo le istruzioni allegate al cavo.



2. Avviare il motore (vedere pagina 40) e accertarsi che la spia di erogazione corrente (verde) su ciascun generatore passi su ON (vedere pagina 44).

FUNZIONAMENTO

3. Collegare l'apparecchio seguendo le istruzioni allegate al cavo per il funzionamento in parallelo.

4. Accendere l'apparecchio.

Se i generatori sono sovraccarichi (vedere pagina 49) oppure si verifica un corto circuito in un apparecchio collegato, si accende la spia di allarme di sovraccarico (rossa). La spia (rossa) di allarme di sovraccarico rimane accesa e, dopo circa dieci secondi (in caso di sovraccarico) o dopo circa cinque secondi (in caso di corto circuito), l'erogazione di corrente all'apparecchio/i connesso/i viene interrotta e l'omonima spia (verde) si spegne. Arrestare entrambi i motori e investigare il problema.

Determinare se la causa è un corto circuito in un apparecchio collegato o un sovraccarico. Eliminare il problema e riavviare il generatore.

Applicazioni di funzionamento parallelo in C.A.

Seguire le istruzioni allegate al cavo per il funzionamento in parallelo.

Prima di collegare un apparecchio o un cavo di alimentazione al generatore:

- Verificare che funzioni correttamente. Cavi di alimentazione o apparecchi difettosi possono rappresentare un potenziale rischio di elettrocuzione.
- Se un apparecchio inizia a funzionare in maniera anomala, lenta o si ferma improvvisamente, spegnerlo immediatamente. Scollegare l'apparecchio e determinare se il problema sia riconducibile all'apparecchio o al superamento della capacità di carico nominale del generatore.
- Non collegare mai modelli e tipi diversi di generatore.
- Usare esclusivamente un cavo per funzionamento parallelo approvato da Honda (attrezzatura opzionale) quando si collegano due generatori EU32i per il funzionamento in parallelo.
- Non collegare o rimuovere mai il cavo di funzionamento in parallelo mentre il generatore è in funzione.
- Per il funzionamento di un singolo generatore, è necessario scollegare il cavo di funzionamento in parallelo.

La maggior parte dei motorini di apparecchi richiede un wattaggio superiore a quello nominale per l'avviamento.

Verificare che la potenza elettrica nominale dell'utensile o apparecchio non sia superiore alla potenza nominale del generatore.

La potenza massima per il funzionamento in parallelo è:

6,4 kVA

Per il funzionamento continuo, non superare la potenza nominale.

La potenza massima nominale per il funzionamento in parallelo è:

5,2 kVA

In ogni caso, vanno tenuti presente i requisiti di potenza totale (VA) di tutti gli apparecchi collegati. I fabbricanti di apparecchi e utensili elettrici generalmente indicano le informazioni relative alla potenza nominale vicino al numero di modello o numero di serie.

AVVISO

Un sostanziale sovraccarico che determina la continua accensione della spia (rossa) di segnalazione sovraccarico potrebbe danneggiare il generatore. Un sovraccarico marginale che determina la temporanea accensione della spia (rossa) di segnalazione sovraccarico potrebbe ridurre la durata utile del generatore.

FUNZIONAMENTO

SISTEMA DI ECO-ACCELERAZIONE

Ogni volta che si preme l'interruttore di eco-accelerazione, il sistema si accende e spegne.

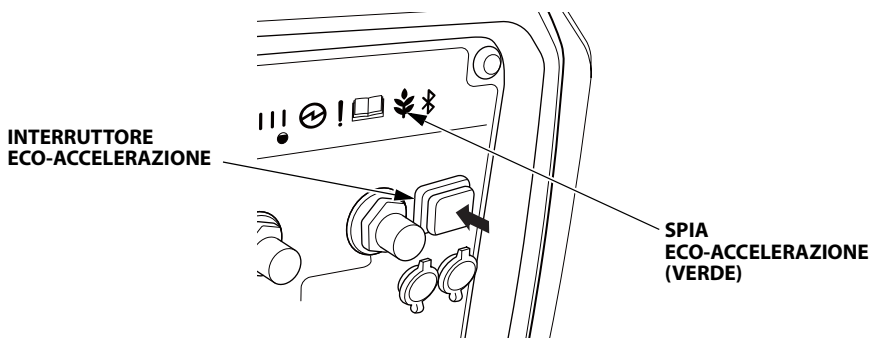
Con l'interruttore nella posizione ON, il regime del motore viene ridotto automaticamente quando i carichi vengono ridotti, disinseriti o scollegati. Quando gli apparecchi vengono accesi o ricollegati, il motore ritorna al corretto regime per alimentare il carico elettrico. Nella posizione OFF, il sistema di eco-accelerazione non è attivo.

Gli apparecchi che richiedono una notevole potenza di avviamento potrebbero impedire al motore di raggiungere il normale regime operativo quando sono collegati al generatore. Portare l'interruttore di eco-accelerazione nella posizione OFF e collegare l'apparecchio al generatore. Se il motore comunque non raggiunge il normale regime operativo, controllare che l'apparecchio non superi la capacità di carico nominale del generatore.

Se carichi elettrici elevati vengono collegati simultaneamente, ruotare l'interruttore di eco-accelerazione nella posizione OFF per ridurre le variazioni di tensione.

Il sistema di eco-accelerazione non è efficace per l'uso con apparecchi o utensili che richiedono solo una potenza momentanea. Se l'utensile o apparecchio viene acceso e spento rapidamente, l'interruttore di eco-accelerazione dovrebbe trovarsi nella posizione OFF.

Sistema eco-accelerazione ON	La spia si illumina (verde) <ul style="list-style-type: none">• Consigliata per ridurre al minimo il consumo di carburante e ridurre ulteriormente i livelli di rumorosità quando meno di un intero carico viene applicato al generatore.
Sistema di eco-accelerazione OFF	La spia si spegne <ul style="list-style-type: none">• Il sistema di eco-accelerazione non è attivo.



ALIMENTAZIONE ELETTRICA DI EMERGENZA

Collegamento al sistema elettrico di un edificio

I collegamenti all'impianto elettrico di un edificio per l'alimentazione elettrica di emergenza devono essere realizzati da un elettricista qualificato.

Il collegamento deve isolare la potenza del generatore dalla potenza della rete e deve essere conforme con tutte le leggi e i regolamenti elettrici vigenti.

AVVERTENZA

Collegamenti errati all'impianto elettrico dell'edificio possono provocare un ritorno di corrente dal generatore verso le linee elettriche.

Tale ritorno di corrente comporta un rischio di elettrocuzione per i dipendenti dell'azienda elettrica o chiunque altro venga a contatto con le linee elettriche durante un'interruzione dell'erogazione elettrica di rete e il generatore potrebbe esplodere, infiammarsi o provocare incendi quando l'erogazione elettrica di rete viene ripristinata.

Consultare l'azienda elettrica o un elettricista qualificato prima di stabilire qualsiasi tipo di collegamento elettrico.

In alcune aree, la legge prevede che i generatori vengano registrati presso le aziende elettriche locali. Controllare le norme vigenti in merito alle corrette procedure di registrazione e utilizzo.

Messa a terra del sistema

Questo generatore dispone di una messa a terra del sistema che collega i componenti del telaio del generatore ai terminali di messa a terra nelle prese di uscita a C.A. La messa a terra del sistema non è collegata al filo neutro di C.A.

FUNZIONAMENTO

Requisiti speciali

AVVISO

Non posizionare il generatore sul suo fianco durante il trasporto, lo stoccaggio o il funzionamento. L'olio e il carburante potrebbero fuoriuscire e danneggiare il motore o i beni personali.

Potrebbero esistere leggi, regolamenti od ordinanze locali che si applicano all'uso previsto del generatore. Consultare un elettricista qualificato, un ispettore elettrico o l'ente competente locale.

- In alcune aree, i generatori devono essere registrati presso le aziende elettriche locali.
- Se il generatore viene utilizzato in un cantiere, potrebbe essere necessario ottemperare a ulteriori norme.

MANUTENZIONE DEL GENERATORE

IMPORTANZA DELLA MANUTENZIONE

Un'adeguata manutenzione è essenziale per un funzionamento sicuro, economico e senza problemi. Inoltre, consente di ridurre l'inquinamento atmosferico.

Per aiutarvi a prendervi cura del generatore in modo efficiente, le seguenti pagine comprendono un programma di manutenzione, le procedure di controllo di routine e le semplici procedure di manutenzione effettuabili con utensili di base. Le altre attività di manutenzione più complesse, o che richiedono utensili speciali, vengono eseguite al meglio da professionisti e sono solitamente effettuate da tecnici Honda o meccanici qualificati.

Il programma di manutenzione è applicabile alle normali condizioni di funzionamento. Se il generatore viene azionato in condizioni insolite, quali carichi elevati prolungati o alte temperature, o viene utilizzato in ambienti polverosi, rivolgersi al concessionario per i consigli applicabili alle vostre necessità e impieghi.

AVVERTENZA

La manutenzione non corretta del generatore o la mancata risoluzione di un problema prima dell'utilizzo può provocare dei gravi problemi di funzionamento.

Alcuni problemi di funzionamento possono provocare gravi lesioni o la morte.

Attenersi sempre ai suggerimenti di ispezione e manutenzione e alle scadenze indicate nel presente manuale d'uso.

Ricordarsi che i concessionari autorizzati Honda conoscono al meglio il vostro generatore e sono perfettamente equipaggiati per effettuare interventi di manutenzione e riparazione.

Per garantire la migliore qualità e affidabilità, in occasione di riparazioni e sostituzioni, utilizzare soltanto componenti originali Honda nuovi o loro equivalenti.

MANUTENZIONE DEL GENERATORE

SICUREZZA DURANTE LA MANUTENZIONE

Di seguito sono elencate alcune delle principali precauzioni di sicurezza. Tuttavia, ricordarsi che è impossibile avvisare di tutti i pericoli possibili che possono insorgere durante le attività di manutenzione. Solo l'addetto all'intervento può decidere se è necessario eseguire una determinata procedura.

AVVERTENZA

La manutenzione non appropriata può provocare condizioni non sicure.

Il mancato rispetto delle istruzioni e precauzioni di manutenzione può provocare lesioni gravi o la morte.

Attenersi sempre alle procedure e alle precauzioni indicate nel presente manuale d'uso.

Precauzioni di sicurezza

Leggere tutte le istruzioni prima di iniziare ed accertarsi di avere gli attrezzi e le competenze richieste.

- Controllare che il motore sia spento prima di iniziare qualsiasi tipo di intervento di manutenzione o di riparazione. Ciò contribuirà ad eliminare numerosi potenziali rischi:
 - **Emissioni velenose di monossido di carbonio dal tubo di scarico del motore**
Operare in ambiente aperto, lontano da porte e finestre aperte con lo scarico del motore orientato a distanza da strutture occupate.
 - **Ustioni in seguito al contatto con componenti molto caldi**
Lasciar raffreddare il motore e il sistema di scarico prima di intervenire su di essi.
 - **Lesioni causate da parti in movimento**
Azionare il motore solo se espressamente indicato.
- Per ridurre la possibilità di incendio o esplosione, prestare particolare attenzione quando si lavora in prossimità della benzina. Per pulire i componenti, utilizzare soltanto solventi non infiammabili, mai benzina. Tenere lontano sigarette, scintille e fiamme da tutti i componenti correlati al carburante.

MANUTENZIONE DEL GENERATORE

PROGRAMMA DI MANUTENZIONE

Il non rispetto di questo programma di manutenzione potrebbe provocare malfunzionamenti non coperti dalla garanzia.

INTERVALLO DI MANUTENZIONE PERIODICA (3) Effettuare ad ogni intervallo di mesi o ore di funzionamento indicati, a seconda di quello che si verifica prima.		Ad ogni uso	Primo mese o 20 ore	Ogni 3 mesi o 50 ore	Ogni 6 mesi o 100 ore	Ogni anno o 300 ore	Pagina
VOCE							
Olio motore	Controllare il livello	o					36
	Sostituire (prima volta dall'acquisto)		o				56
	Sostituire				o		56
Filtro dell'aria (elemento)	Controllare	o					37
	Pulire			o (1)			57
	Sostituire					o	37
Candela	Controllare-regolare				o		58
	Sostituire					o	58
Parascintille	Pulire				o		60
Cinghia di distribuzione	Controllare	Dopo ogni 250 ore (2)					—
Gioco valvole	Controllare-regolare					o (2)	—
Camera di combustione	Pulire	Dopo ogni 500 ore (2)					—
Serbatoio carburante	Pulire	Ogni 2 anni o 1.000 ore (2)					—
Filtro pompa carburante	Sostituire	Ogni 2 anni o 1.000 ore (2)					—
Tubo del carburante	Controllare	Ogni 2 anni (sostituire se necessario) (2)					—
Filtro	Controllare	Ogni 2 anni (sostituire se necessario) (2)					—
Tubo di scarico	Controllare	Ogni 2 anni (sostituire se necessario) (2)					—
Tubo di carico	Controllare	Ogni 2 anni (sostituire se necessario) (2)					—
Tubo dell'aria	Controllare	Ogni 2 anni (sostituire se necessario) (2)					—
Tubo di drenaggio	Controllare	Ogni 2 anni (sostituire se necessario) (2)					—

- (1) Intervenire più spesso se utilizzato in zone polverose.
- (2) Gli interventi su questi elementi devono essere effettuati dal proprio concessionario, a meno che si disponga degli utensili e delle capacità meccaniche adeguate. Fare riferimento al manuale d'officina Honda per le procedure di manutenzione.
- (3) Per usi commerciali, registrare le ore di funzionamento per determinare gli intervalli di manutenzione appropriati.

Questo generatore è provvisto di un convertitore catalitico. Se il motore non è sottoposto ad adeguata manutenzione, il catalizzatore nella marmitta potrebbe perdere efficacia.

MANUTENZIONE DEL GENERATORE

CAMBIO DELL'OLIO MOTORE

Per un drenaggio rapido e completo, drenare l'olio con il motore caldo.

1. Ruotare l'interruttore del motore nella posizione OFF (vedere pagina 42) per ridurre la possibilità di una perdita di carburante.
2. Allentare la vite del coperchio di manutenzione e rimuoverlo (vedere pagina 36).
3. Collocare un recipiente adatto sotto il generatore per raccogliere l'olio esausto.
4. Rimuovere il tappo di riempimento olio e drenare l'olio nel recipiente inclinando il motore verso il bocchettone di riempimento dell'olio.

AVVISO

Lo smaltimento dell'olio motore esausto in maniera impropria può essere nocivo per l'ambiente. Se si effettua il cambio d'olio da soli, smaltire l'olio esausto correttamente.

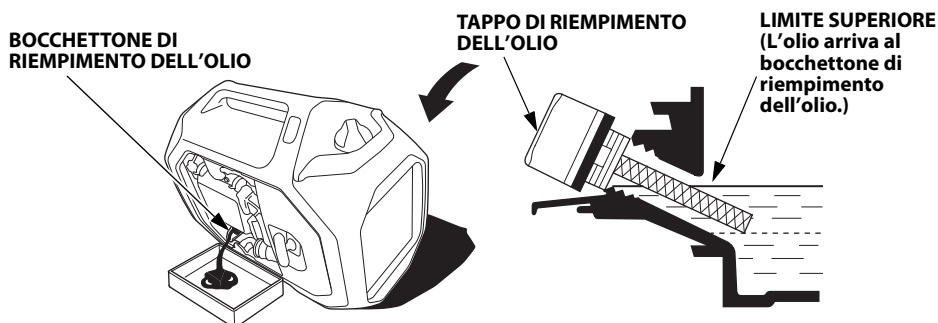
Non gettarlo nella spazzatura, versarlo sul terreno o nello scarico.

5. Con il generatore in posizione piana, riempire con l'olio consigliato fino alla tacca del limite superiore. Non riempire eccessivamente.
- "Limite superiore" significa che l'olio arriva al bocchettone di riempimento dell'olio. Fare riferimento a "OLI MOTORE CONSIGLIATI" a pagina 17.

Capacità massima olio: 0,46 litri

6. Riposizionare saldamente il tappo di riempimento dell'olio.
7. Riposizionare il coperchio di manutenzione e serrarne saldamente la vite.

Dopo aver maneggiato l'olio esausto, lavarsi le mani con acqua e sapone.

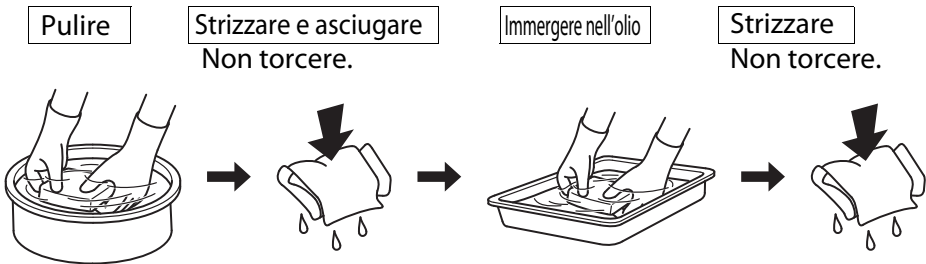


MANUTENZIONE DEL FILTRO DELL'ARIA

Pulizia del filtro dell'aria in schiuma

Un filtro dell'aria sporco limita il flusso d'aria all'impianto di alimentazione, riducendo le prestazioni del motore. Se si utilizza il generatore in ambienti particolarmente polverosi, pulire il filtro dell'aria di schiuma più spesso di quanto specificato nel programma di manutenzione.

1. Pulire il filtro dell'aria in schiuma in acqua saponata calda, risciacquarlo e lasciarlo asciugare accuratamente, oppure pulire in un solvente non infiammabile e lasciarlo asciugare.
2. Immergere il filtro dell'aria in schiuma in olio motore pulito, quindi strizzarlo per espellere l'olio in eccesso. Se la schiuma è particolarmente impregnata di olio, fuoriuscirà parecchio fumo dal motore al primo avviamento.



3. Pulire la sporcizia dall'interno del coperchio del filtro dell'aria usando un panno umido.
Non fare entrare la sporcizia nel condotto dell'aria che porta all'impianto di alimentazione.

MANUTENZIONE DEL GENERATORE

MANUTENZIONE DELLA CANDELA

Candele raccomandate: CR6HSB (NGK)

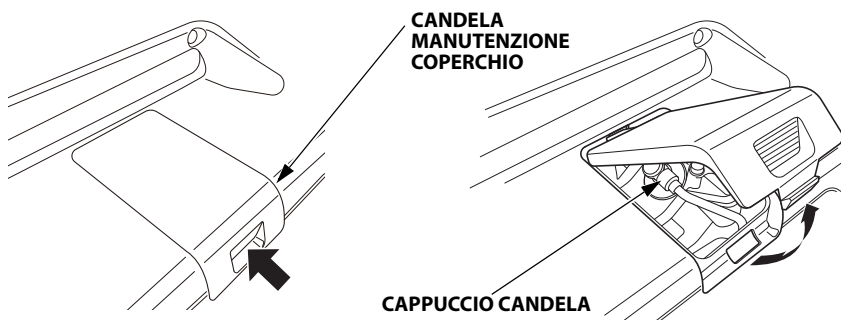
Per garantire il funzionamento corretto del motore, la distanza tra gli elettrodi deve essere corretta ed esente da depositi.

AVVISO

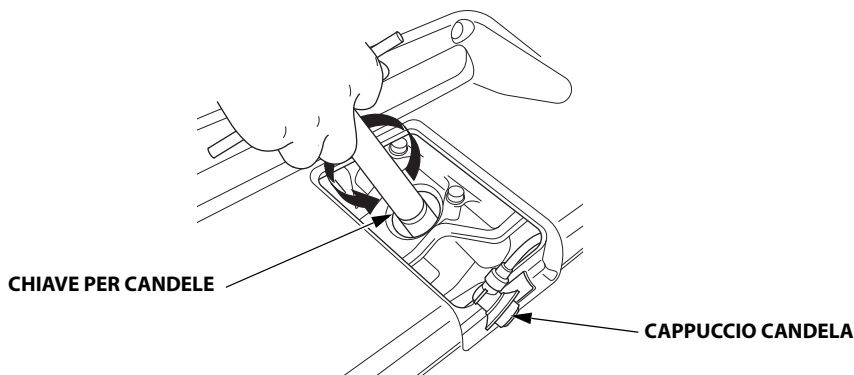
Una candela non corretta può causare danni al motore.

Se il motore è caldo, lasciarlo raffreddare prima di eseguire la manutenzione della candela.

1. Rimuovere il coperchio di manutenzione della candela.

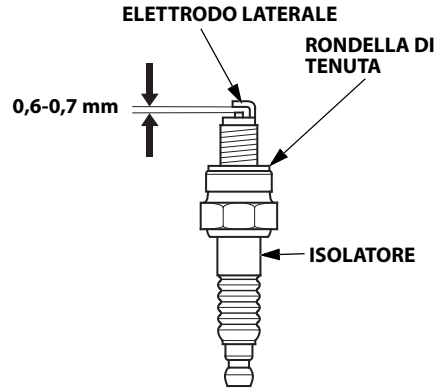


2. Scollegare il cappuccio della candela e rimuovere la sporcizia attorno all'area della candela.
3. Rimuovere la candela con l'apposita chiave.



MANUTENZIONE DEL GENERATORE

- Controllare la candela. Sostituirla se gli elettrodi sono usurati o sporchi, oppure se l'isolatore è incrinato o scheggiato. Pulire la candela con una spazzola metallica se si intende riutilizzarla.
- Misurare la distanza tra gli elettrodi della candela con uno spessimetro a filo. Se necessario, correggere la distanza piegando con cautela l'elettrodo laterale.



Distanza candela:

0,6-0,7 mm

- Verificare che la rondella di tenuta della candela sia in buone condizioni, e avvitare la candela manualmente in modo da evitare di danneggiarne la filettatura.
- Dopo aver avvitato la candela manualmente, serrare con la chiave per candele per comprimere la rondella.
Se si reinstalla una candela usata, serrarla di un ulteriore 1/8–1/4 di giro dopo averla avvitata manualmente.
Se si installa una candela nuova, serrarla di un ulteriore 1/2 di giro dopo averla avvitata manualmente.

Torsione: 12 N·m

AVVISO

*Una candela allentata può surriscaldare e danneggiare il motore.
Un serraggio eccessivo della candela può danneggiare la filettatura nella testata.*

- Reinstallare accuratamente il cappuccio della candela sulla candela.
- Reinstallare il coperchio di manutenzione della candela.

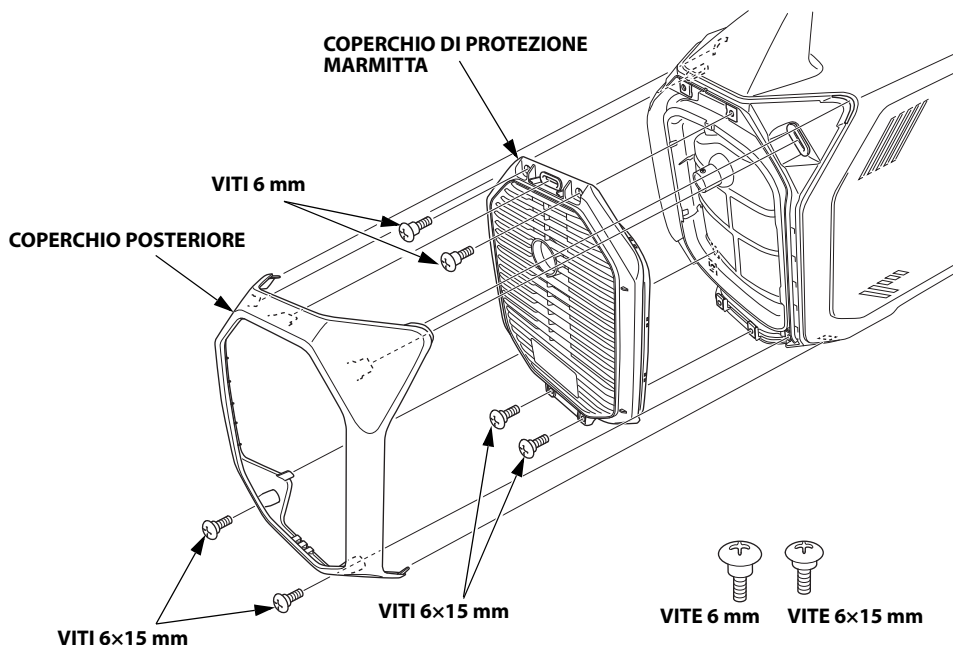
MANUTENZIONE DEL GENERATORE

MANUTENZIONE DEL PARASCINTILLE

Se il motore è stato acceso, la marmitta è molto calda. Lasciarla raffreddare prima di intervenire sul parascintille.

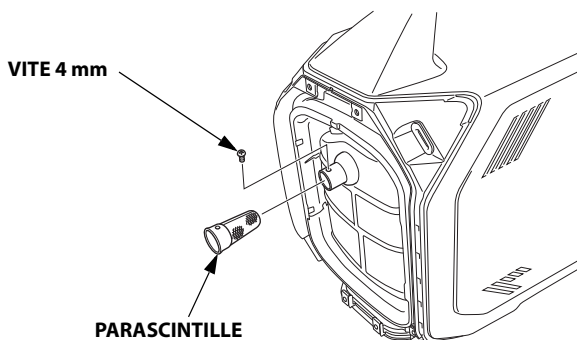
Effettuare la pulizia del parascintille come segue:

1. Rimuovere le due viti di 6×15 mm e il coperchio posteriore.
Rimuovere le due viti di 6 mm, le due di 6×15 mm e il coperchio di protezione della marmitta.



MANUTENZIONE DEL GENERATORE

2. Rimuovere la vite di 4 mm e il parascintille.



3. Con una spazzola, asportare le incrostazioni di carbonio dallo schermo del parascintille.
Fare attenzione a non danneggiare lo schermo.
Il parascintille deve essere privo di rotture e lacerazioni. Sostituire il parascintille se è danneggiato.



4. Installare il parascintille, il coperchio di protezione della marmitta e il coperchio posteriore nell'ordine inverso rispetto a quello di rimozione.

STOCCAGGIO

PREPARAZIONE PER LO STOCCAGGIO

Una corretta preparazione allo stoccaggio è fondamentale per evitare che il generatore subisca danni, sia interni sia esterni. I seguenti passaggi contribuiranno ad evitare che la ruggine e la corrosione rovinino la funzionalità e l'aspetto del generatore e semplificheranno l'accensione del generatore quando verrà nuovamente usato.

Pulizia

Pulire il generatore con un panno umido. Dopo che il generatore si è asciugato, ritoccare la vernice danneggiata e applicare un leggero strato di olio sulle altre parti che potrebbero essere soggette a ruggine.

Carburante

AVVISO

In base alla regione di utilizzo dell'apparecchiatura, le composizioni di carburante possono deteriorarsi e ossidarsi rapidamente. Il deterioramento e l'ossidazione del carburante possono avvenire in soli 30 giorni e potrebbero danneggiare l'impianto di alimentazione. Rivolgersi al concessionario per i consigli riguardanti lo stoccaggio locale.

Durante il periodo di stoccaggio, la benzina si ossiderà e si deteriorerà. La benzina vecchia determina difficoltà di avviamento e lascia depositi di gomma che intasano il circuito del carburante. Se la benzina contenuta nel generatore si deteriora durante il periodo di stoccaggio, potrebbe essere necessario revisionare o sostituire i componenti dell'impianto di alimentazione. Il lasso di tempo durante il quale la benzina può essere lasciata all'interno del serbatoio del carburante senza causare problemi di funzionamento cambia in base a vari fattori, quali la miscela della benzina, la temperatura del luogo di stoccaggio, e a seconda del livello di carburante presente nel serbatoio. L'aria presente all'interno di un serbatoio parzialmente pieno favorisce il deterioramento del carburante. Una temperatura di stoccaggio molto elevata accelera il deterioramento del carburante. I problemi di deterioramento del carburante possono verificarsi entro pochi mesi o persino prima se la benzina non era nuova quando è stato riempito il serbatoio del carburante.

Effettuare la manutenzione secondo il programma sottostante:

TEMPO DI STOCCAGGIO	PROCEDURA DI MANUTENZIONE CONSIGLIATA PER EVITARE DIFFICOLTÀ DI AVVIAMENTO
Meno di 1 mese	Nessuna preparazione.
Da 1 mese a 1 anno	Drenare il serbatoio del carburante (vedere pagina 64).
1 anno o più	Drenare il serbatoio del carburante (vedere pagina 64). Rimuovere la candela. Versare un cucchiaino di olio motore nel cilindro. Avviare lentamente il motore con il cavo di avviamento per distribuire l'olio. Reinstallare la candela. Cambiare l'olio motore (vedere pagina 56).

DRENAGGIO DEL SERBATOIO DEL CARBURANTE

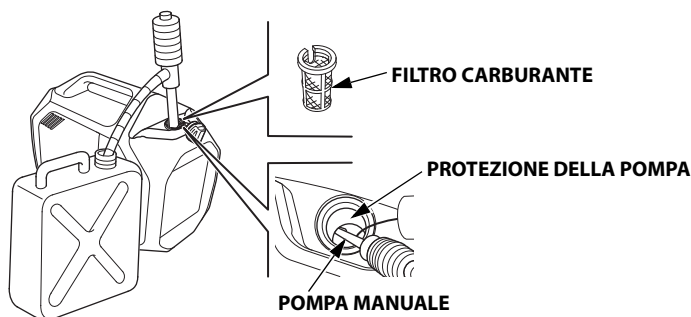
AVVERTENZA

La benzina è altamente infiammabile ed esplosiva.

Quando si maneggia il carburante esiste un rischio di ustioni o lesioni gravi.

- Arrestare il motore e lasciarlo raffreddare prima di maneggiare il combustibile.
- Allontanare da calore, scintille e fiamme.
- Maneggiare il carburante solo all'aperto.
- Tenere lontano dal veicolo.
- Pulire immediatamente eventuali perdite.

Svitare il tappo del serbatoio del carburante (vedere pagina 19), togliere il filtro del carburante e svuotare il serbatoio in un contenitore di benzina di tipo approvato. Consigliamo di utilizzare una pompa manuale per benzina, disponibile in commercio, per svuotare il serbatoio. Non utilizzare una pompa elettrica. Travasare la benzina inserendo la punta della pompa manuale nel lato della protezione della pompa, come illustrato di seguito. Reinstallare il filtro del carburante e il tappo di riempimento del carburante.



Olio motore

Cambiare l'olio motore (vedere pagina 56).

Cilindro motore

1. Rimuovere la candela (vedere pagina 58).
2. Versare un cucchiaino (5 cm³) di olio motore pulito nel cilindro.
3. Tirare il cavo di avviamento diverse volte per distribuire l'olio nel cilindro.
4. Reinstallare la candela (vedere pagina 58).
5. Tirare lentamente l'impugnatura del motorino di avviamento finché non si avverte resistenza. A questo punto, il pistone sta risalendo nella sua corsa di compressione e le valvole di aspirazione e di scarico sono entrambe chiuse. Mettere il motore nel luogo di stoccaggio in questa posizione contribuirà a proteggerlo dalla corrosione interna. Rilasciare l'impugnatura del motorino di avviamento delicatamente.

STOCCAGGIO

PRECAUZIONI DA SEGUIRE PER LO STOCCAGGIO

Se il motore verrà conservato lasciando la benzina dentro al serbatoio, è importante ridurre il pericolo di incendio dei vapori di benzina.

Scegliere un luogo di stoccaggio ben ventilato e lontano da apparecchi che funzionano a fiamma, quali caldaie, scaldabagni o asciugabiancheria. Evitare inoltre le aree in cui è presente un motorino elettrico che produce scintille o dove vengono utilizzati attrezzi elettrici.

Se possibile, evitare aree di stoccaggio molto umide, perché l'umidità favorisce la ruggine e la corrosione.

Posizionare il generatore su una superficie in piano. L'inclinazione o il posizionamento in orizzontale potrebbe causare perdite di carburante o di olio.

Con il motore e l'impianto di scarico freddi, coprire il generatore per proteggerlo dalla polvere. Un motore e un impianto di scarico caldi possono incendiare o sciogliere determinati materiali.

Non usare un foglio di plastica come coperchio antipolvere. Una copertura non traspirante favorisce la formazione di umidità attorno al generatore procurando ruggine e corrosione.

RIMOZIONE DAL LUOGO DI STOCCAGGIO

Controllare il generatore come descritto nel capitolo "PRIMA DELL'UTILIZZO" di questo manuale (vedere pagina 33).

Se il carburante è stato drenato durante la fase di preparazione allo stoccaggio, riempire il serbatoio con benzina fresca. Se si possiede un recipiente di benzina per il rifornimento, accertarsi che contenga soltanto benzina nuova. Col tempo la benzina si ossida e si deteriora rendendo difficile l'avviamento.

Se il cilindro è stato ricoperto d'olio durante la preparazione allo stoccaggio, potrebbe fuoriuscire parecchio fumo dal motore al primo avviamento. Ciò è normale.

TRASPORTO

▲ ATTENZIONE

Un motore che è stato acceso rimarrà molto caldo per un certo periodo di tempo.

Un motore e un impianto di scarico caldi possono provocare ustioni e incendiare determinati materiali.

Se il generatore è stato in funzione, lasciar raffreddare il motore per almeno 15 minuti prima di caricare il generatore sul veicolo di trasporto.

Drenare il carburante dal serbatoio quando si effettua il trasporto.

Tenere il generatore nella posizione normale per il funzionamento durante il trasporto per ridurre la possibilità di perdite di carburante.

AVVISO

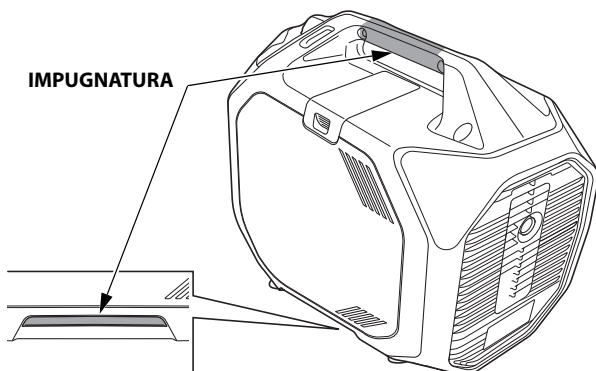
Non posizionare il generatore sul suo fianco durante il trasporto, lo stoccaggio o il funzionamento. L'olio o il carburante potrebbero fuoriuscire e danneggiare il motore o i beni personali.

Non azionare il generatore durante il trasporto o quando si trova su qualsiasi tipo di veicolo, rimorchio o imbarcazione.

Non far cadere o sbattere il generatore durante il trasporto. Non collocare oggetti pesanti sul generatore.

TRASPORTO

Per trasportare il generatore, afferrare l'impugnatura (parti ombreggiate nell'immagine sottostante).



Evitare un luogo esposto alla luce solare diretta quando si colloca il generatore su un veicolo. Se il generatore viene lasciato per molte ore in un veicolo chiuso, la temperatura elevata all'interno del veicolo potrebbe far evaporare il carburante, con conseguente rischio di esplosione.

TRATTAMENTO DEI PROBLEMI IMPREVISTI

REGIME MOTORE INSTABILE O MANCATO AVVIAMENTO

Possibili cause	Correzione
L'interruttore motore è nella posizione OFF.	Portare l'interruttore nella posizione ON (vedere pagina 40).
Carburante esaurito.	Rifornire di carburante (vedere pagina 18).
Carburante di cattiva qualità; generatore conservato senza trattare o drenare la benzina o rifornito con benzina di cattiva qualità.	Drenare il serbatoio del carburante (vedere pagina 64). Rifornire con benzina nuova (vedere pagina 18).
Oil Alert ha spento il motore perché il livello dell'olio motore è insufficiente.	Ruotare l'interruttore del motore su OFF (spento). Aggiungere olio motore. Quindi riportare l'interruttore principale nella posizione ON e riavviare il motore.
Candela difettosa, sporca o con distanza tra gli elettrodi eccessiva.	Correggere la distanza fra gli elettrodi o sostituire la candela (vedere pagina 58).
Candela sporca di carburante (Motore ingolfato).	Asciugare e reinstallare la candela.
Filtro del carburante parzialmente ostruito, guasto dell'impianto di alimentazione, guasto della pompa del carburante, difficoltà di accensione, valvole inceppate, ecc.	Portare il generatore presso il concessionario o consultare il manuale d'officina.

TRATTAMENTO DEI PROBLEMI IMPREVISTI

PERDITA DI POTENZA DEL MOTORE

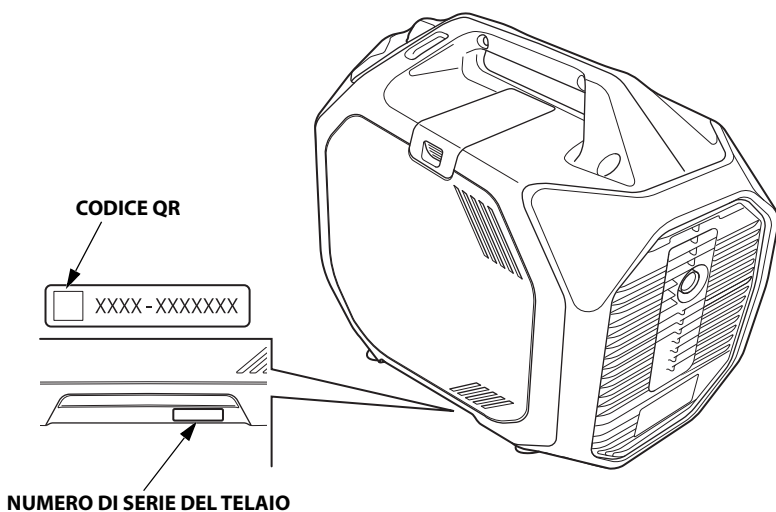
Possibili cause	Correzione
Filtro dell'aria ostruito.	Pulire o sostituire il filtro dell'aria (vedere pagina 57).
Carburante di cattiva qualità; generatore conservato senza trattare o drenare la benzina o rifornito con benzina di cattiva qualità.	Drenare il serbatoio del carburante (vedere pagina 64). Rifornire con benzina nuova (vedere pagina 18).
Filtro del carburante parzialmente ostruito, guasto dell'impianto di alimentazione, guasto della pompa del carburante, difficoltà di accensione, valvole inceppate, ecc.	Portare il generatore presso il concessionario o consultare il manuale d'officina.

ASSENZA DI ALIMENTAZIONE ELETTRICA A LIVELLO DELLE PRESE A C.A.

Possibili cause	Correzione
La spia di erogazione corrente è spenta e la spia di segnalazione sovraccarico è accesa.	Controllare il carico in C.A.. Spegnerne e riavviare il motore.
	Controllare l'ingresso dell'aria di raffreddamento. Spegnerne e riavviare il motore.
La spia di segnalazione sovraccarico lampeggia.	Dopo aver eliminato la causa del sovraccarico, è possibile riprendere la produzione di corrente tenendo premuto l'interruttore di eco-accelerazione (per più di 3 secondi) (vedere pagina 24).
Interruttore di protezione di circuito a C.A. attivato.	Controllare il carico in C.A. e ripristinare l'interruttore di protezione di circuito a C.A. (vedere pagina 25).
Apparecchio o utensile elettrico guasto.	Sostituire o riparare l'apparecchio o utensile elettrico. Spegnerne e riavviare il motore.
Generatore guasto.	Portare il generatore presso il concessionario o consultare il manuale d'officina.

INFORMAZIONI TECNICHE

UBICAZIONE DEL NUMERO DI SERIE



Registrare il numero di serie del telaio e la data di acquisto nello spazio sottostante. Tale informazione è necessaria quando si ordinano pezzi o si inoltrano richieste di informazioni tecniche o riguardanti la garanzia.

Numero di serie del telaio: _____

Data di acquisto: _____

INFORMAZIONI TECNICHE

SPECIFICHE

Dimensioni

Modello	EU32i	
Tipo	F, G	IT
Codice descrittivo	EBKJ	
Lunghezza	571 mm	596 mm
Larghezza	306 mm	
Altezza	452 mm	
Massa a secco [peso]	26,5 kg	

Motore

Modello	GX130
Tipo di motore	4 tempi, albero a camme in testa, monocilindrico
Cilindrata [Alesaggio × corsa]	130 cm ³ [56,0 × 53,0 mm]
Rapporto di compressione	10,0 : 1
Regime motore	4.800 – 5.500 min ⁻¹ (giri/min) (Con sistema di eco-accelerazione OFF)
Sistema di raffreddamento	Aria a circolazione forzata
Sistema di accensione	Unità transistor completo
Capacità olio motore	0,46 litri
Capacità serbatoio carburante	4,6 litri
Candela	CR6HSB (NGK)

[Emissioni di anidride carbonica (CO₂)^{*}]

Fare riferimento a "Elenco informazioni sul CO₂" su

www.honda-engines-eu.com/co2

* La misurazione di CO₂ è ottenuta tramite un test durante ciclo fisso in condizioni di laboratorio su un motore (principale) rappresentativo del tipo di motore (serie di motore) e non implica e non esprime garanzia di sorta relativamente alle prestazioni di un determinato motore.

Generatore

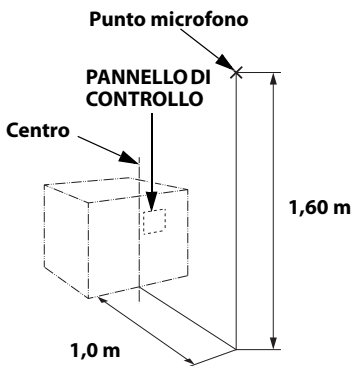
Modello		EU32i
Tipo		F, G, IT
Erogazione a C.A.	Tensione nominale	230 V
	Frequenza nominale	50 Hz
	Corrente nominale	11,3 A
	Uscita nominale	2,6 kVA
	Uscita massima	3,2 kVA

Comunicazione

Versione <i>Bluetooth</i> [®]	5,0 (Bluetooth Low Energy)
Banda(e) di frequenza	2.402 MHz - 2.480 MHz
Potenza massima della radiofrequenza	<4 dBm

INFORMAZIONI TECNICHE

Rumorosità

Modello	EU32i
Tipo	F, G, IT
Livello di pressione sonora alla postazione di lavoro (2006/42/CE)	73 dB (A) (con eco-accelerazione in posizione ON)
	
Incertezza	4 dB (A)
Livello di potenza sonora misurata (2000/14/CE, 2005/88/CE)	88 dB (A) (con eco-accelerazione in posizione ON)
Incertezza	3 dB (A)
Livello di potenza sonora garantita (2000/14/CE, 2005/88/CE)	91 dB (A) (con eco-accelerazione in posizione ON)

"I valori indicati sono livelli di emissione e non sono necessariamente livelli operativi sicuri. Sebbene sussista una correlazione tra livelli di emissione e di esposizione, questa non può essere utilizzata in modo affidabile per stabilire se siano necessarie o meno ulteriori precauzioni. I fattori che influiscono sul livello effettivo di esposizione del personale includono le caratteristiche dell'ambiente di lavoro, le altre fonti di rumore, ecc., ad es. il numero di macchine e altri processi adiacenti, e la durata dell'esposizione dell'operatore al rumore. Inoltre il livello di esposizione consentito può differire da paese a paese. Queste informazioni, tuttavia, consentiranno all'utente della macchina di valutare meglio il rischio e i pericoli".

I dati tecnici sono soggetti a variazioni e modifiche a seconda del tipo di motore senza preavviso.

Schema elettrico

(Consultare la terza di copertina)

Abbreviazioni

Simbolo	Nome parte
ACCP	Interruttori di protezione di circuiti a C.A.
ACOR	Prese di uscita a C.A.
BASE	Sensore angolo di inclinazione
CPB	Blocco del pannello di controllo
EcoSw	Interruttore di eco-accelerazione
ECG	Messa a terra dell'ECU
ECU	ECU
EgB	Monoblocco
EgG	Messa a terra del motore
ESw	Interruttore motore
(F)	Tipo F
FrB	Blocco del telaio
FP	Pompa carburante
GCU	Unità di controllo del generatore
GeB	Blocco del generatore
GT	Terminale di messa a terra
IASE	Sensore IAT
IB	Blocco unità inverter
IgC	Bobina di accensione
In	Iniettore
IndU	Unità spia
(IT)	Tipo IT
IU	Unità inverter
MASE	Sensore MAP
MW	Avvolgimento principale
NF	Filtro anti-rumore
OLSw	Interruttore livello olio
O2Se	Sensore O2
PC	Bobina a impulsi
POR	Uscita per il funzionamento in parallelo
SP	Candela
SW	Avvolgimento secondario
TCM	Motorino di controllo accelerazione
TESe	Sensore TE

Codice cromatico cavi

Bl	Nero
Br	Marrone
G	Verde
Gr	Grigio
Bu	Blu
Lb	Azzurro
Lg	Verde chiaro
O	Arancione
P	Rosa
R	Rosso
W	Bianco
Y	Giallo
V	Viola
BE	Beige

INTERRUTTORE ECO-ACCELERAZIONE

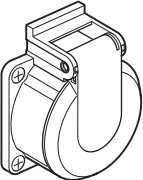
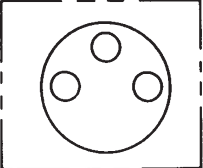
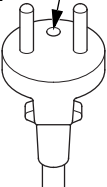
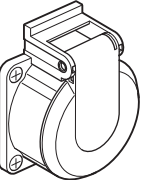
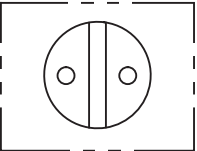
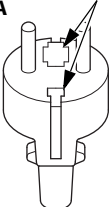
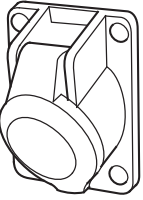
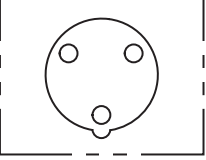
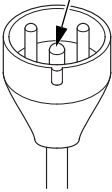
	COM	SW
PREMERE		
LIBERO		

INTERRUTTORE ARRESTO MOTORE

	COM	SW
ON		
OFF		

INFORMAZIONI TECNICHE

Presa

Tipo	Forma		Spina
F			<p>PERNO DI MESSA A TERRA</p> 
G			<p>PERNO DI MESSA A TERRA</p> 
IT			<p>PERNO DI MESSA A TERRA</p> 

INFORMAZIONI DI RIFERIMENTO

"QR Code" è un marchio registrato di DENSO WAVE INCORPORATED.



Il termine e i loghi *Bluetooth* sono marchi registrati di proprietà di Bluetooth SIG, Inc. concessi sotto licenza di utilizzo a Honda Motor Co., Ltd. Gli altri marchi e nomi commerciali appartengono ai rispettivi proprietari.

MEMO

WIRING DIAGRAM

SCHÉMA DE CABLAGE

SCHALTPLAN

DIAGRAMMA DEI COLLEGAMENTI

MAJOR Honda DISTRIBUTOR ADDRESSES

For further information, please contact Honda Customer Information Centre at the following address or telephone number:

ADRESSES DES PRINCIPAUX CONCESSIONNAIRES Honda

Pour plus d'informations, s'adresser au Centre d'informations clients Honda à l'adresse ou numéro de téléphone suivants:

ADRESSEN DER WICHTIGSTEN Honda-HAUPTHÄNDLER

Weitere Informationen erhalten Sie gerne vom Honda-Kundeninformationszentrum unter der folgenden Adresse oder Telefonnummer:

DIRECCIONES DE LOS PRINCIPALES CONCESIONARIOS Honda

Para obtener más información, póngase en contacto con el Centro de información para clientes Honda en la dirección o número de teléfono siguientes:

ELENCO DEI MAGGIORI DISTRIBUTORI Honda IN EUROPA

Per ulteriori informazioni rivolgersi al Centro informazioni clienti Honda al seguente indirizzo o numero telefonico:

AUSTRIA

Honda Motor Europe Ltd

Hondastraße 1

2351 Wiener Neudorf

Tel.: +43 (0)2236 690 0

Fax: +43 (0)2236 690 480

<http://www.honda.at>

✉ HondaPP@honda.co.at

BALTIC STATES (Estonia/Latvia/ Lithuania)

NCG Import Baltics OU

Meistri 12

13517 Tallinn

Harju County Estonia

Tel.: +372 651 7300

Fax: +372 651 7301

✉ info.baltic@ncgimport.com

BELARUS

JV "Scanlink" Ltd.

Montazhnikov lane 4th, 5-16

Minsk 220019

Republic of Belarus

Tel.: +375172349999

Fax: +375172380404

✉ honda@scanlink.by

BELGIUM

Honda Motor Europe Ltd

Doornveld 180-184

1731 Zellik

Tel.: +32 2620 10 00

Fax: +32 2620 10 01

<http://www.honda.be>

✉ bh_pe@honda-eu.com

BULGARIA

Premium Motor Ltd

Andrey Lyapchev Blvd no 34

1797 Sofia

Bulgaria

Tel.: +3592 423 5879

Fax: +3592 423 5879

<http://www.hondamotor.bg>

✉ office@hondamotor.bg

CROATIA

AS Domžale Moto center d.o.o.

Brezence

SI-8216 Mirna Peč

Tel.: +386 1 562 37 00

<http://www.honda-as.com>

✉ info@honda-as.com

CYPRUS

Powerline Products Ltd

Cyprus - Nicosia

Vasilias 18 2232 Latsia

Tel.: 0035799490421

✉ info@powerlinecy.com

<http://www.powerlinecy.com>

CZECH REPUBLIC

BG Technik cs, a.s.

U Zavodiste 251/8

15900 Prague 5 - Velka

Chuchle

Tel.: +420 2 838 70 850

Fax: +420 2 667 111 45

<http://www.honda-stroje.cz>

DENMARK

TIMA A/S

Ryttermarken 10

DK-3520 Farum

Tel.: +45 36 34 25 50

Fax: +45 36 77 16 30

<http://www.tima.dk>

FINLAND

OY Brandt AB.

Tuupakantie 7B

01740 Vantaa

Tel.: +358 2077572000

Fax: +358 9 878 5276

<http://www.brandt.fi>

FRANCE

Honda Motor Europe Ltd

Division Produit d'Équipement

Parc d'activités de Pariest,

Allée du 1er mai

Croissy Beaubourg BP46, 77312

Marne La Vallée Cedex 2

Tel.: 01 60 37 30 00

Fax: 01 60 37 30 86

<http://www.honda.fr>

✉ espace-client@honda-eu.com

GERMANY

Honda Deutschland Niederlassung der Honda Motor Europe Ltd.

Hanauer Landstraße 222-224

D-60314 Frankfurt

Tel.: 01805 20 20 90

Fax: +49 (0)69 83 20 20

<http://www.honda.de>

✉ info@post.honda.de

GREECE

Technellas S.A.

92 Athinon Ave
10442 Athens, Greece
Tel.: +30 210 519 31 10
Fax: +30 210 519 31 14
✉ mail@technellas.gr

HUNGARY

MP Motor Co., Ltd.

Kamaraerdei ut 3.
2040 Budaors
Tel.: +36 23 444 971
Fax: +36 23 444 972
<http://www.hondakisgepek.hu>
✉ info@hondakisgepek.hu

IRELAND

Two Wheels Ltd

M50 Business Park, Ballymount
Dublin 12
Tel.: +353 1 4381900
Fax: +353 1 4607851
<http://www.hondaireland.ie>
✉ sales@hondaireland.ie

ISRAEL

Mayer's Cars and Trucks Co.Ltd. - Honda Division

Shevach 5, Tel Aviv, 6777936
Israel
+972-3-6953162
✉ OrenBe@mct.co.il

ITALY

Honda Motore Europe Ltd

Via della Cecchignola, 13
00143 Roma
Tel.: +848 846 632
Fax: +39 065 4928 400
<http://www.hondaitalia.com>
✉ info.power@honda-eu.com

NORTH MACEDONIA

AS Domžale Moto center d.o.o.

Brezence
SI-8216 Mirna Peč
Tel.: +386 1 562 37 00
<http://www.honda-as.com>
✉ info@honda-as.com

MALTA

The Associated Motors Company Ltd.

New Street in San Gwakklin Road
Mriehel Bypass, Mriehel QRM17
Tel.: +356 21 498 561
Fax: +356 21 480 150
✉ mgalea@gasanzammit.com

NORWAY

Berema AS

P.O. Box 454 1401 Ski
Tel.: +47 64 86 05 00
Fax: +47 64 86 05 49
<http://www.berema.no>
✉ berema@berema.no

POLAND

Aries Power Equipment

Puławska 467
02-844 Warszawa
Tel.: +48 (22) 861 43 01
Fax: +48 (22) 861 43 02
<http://www.ariespower.pl>
<http://www.mojahonda.pl>
✉ info@ariespower.pl

PORTUGAL

GROW Productos de Forza Portugal

Rua Fontes Pereira de Melo, 16
Abrunheira, 2714-506 Sintra
Tel.: +351 211 303 000
Fax: +351 211 303 003
<http://www.grow.com.pt>
✉ geral@grow.com.pt

ROMANIA

Agrisorg SRL

Sacadat Str Principala
Nr 444/A Jud. Bihor
Romania
Tel.: (+4) 0259 458 336
✉ info@agrisorg.com

SERBIA & MONTENEGRO

AS Domžale Moto center d.o.o.

Brezence
SI-8216 Mirna Peč
Tel.: +386 1 562 37 00
<http://www.honda-as.com>
✉ info@honda-as.com

SLOVAK REPUBLIC

**Honda Motor Europe Ltd
Slovensko, organizačná zložka**

Prievozská 6 821 09 Bratislava

Tel.: +421 2 32131111

Fax: +421 2 32131112

<http://www.honda.sk>

SLOVENIA

AS Domžale Moto center d.o.o.

Brezence

SI-8216 Mirna Peč

Tel.: +386 1 562 37 00

<http://www.honda-as.com>

✉ info@honda-as.com

SPAIN & all Provinces

Greens Power Products, S.L.

Poligono Industrial Congost –

Av Ramon Ciuirans n°2

08530 La Garriga - Barcelona

Tel.: +34 93 860 50 25

Fax: +34 93 871 81 80

<http://www.hondaencasa.com>

SWEDEN

**Honda Motor Europe Ltd filial
Sverige**

Box 31002 - Långhusgatan 4

215 86 Malmö

Tel.: +46 (0)40 600 23 00

Fax: +46 (0)40 600 23 19

<http://www.honda.se>

✉ hpesinfo@honda-eu.com

SWITZERLAND

**Honda Motor Europe Ltd.
Succursale de Satigny/Genève**

Rue de la Bergère 5

1242 Satigny

Tel.: +41 (0)22 989 05 00

Fax: +41 (0)22 989 06 60

<http://www.honda.ch>

TURKEY

**Anadolu Motor Uretim Ve
Pazarlama As**

Sekerpinar Mah

Albayrak Sok No 4

Cayirova 41420

Kocaeli

Tel.: +90 262 999 23 00

Fax: +90 262 658 94 17

<http://www.anadolumotor.com.tr>

✉ antor@antor.com.tr

UKRAINE

Dnipro Motor LLC

3, Bondarsky Alley,

Kyiv, 04073, Ukraine

Tel.: +380 44 537 25 76

Fax: +380 44 501 54 27

✉ igor.lobunets@honda.ua

UNITED KINGDOM

Honda Motor Europe Ltd

Cain Road

Bracknell

Berkshire

RG12 1 HL

Tel.: +44 (0)845 200 8000

<http://www.honda.co.uk>

"UK Declaration of Conformity" CONTENT OUTLINE

"Déclaration UK de Conformité" DESCRIPTION DE TABLE DES MATIERES

"UK-Konformitätserklärung" INHALTSÜBERSICHT

DESCRIPCIÓN GENERAL DEL CONTENIDO DE LA "Declaración de Conformidad UK"

DESCRIZIONE DEL CONTENUTO DELLA "Dichiarazione UK di Conformità"

UK Declaration of Conformity

The undersigned, *2, on behalf of the authorized representative, herewith declares that the machinery described below fulfils all the relevant provisions of:

- The Supply of Machinery (Safety) Regulations 2008 SI 2008 No.1597
- The Electromagnetic Compatibility Regulations 2016 SI 2016 No.1091
- The Noise Emission in the Environment by Equipment for use Outdoors Regulations 2001 SI 2001 No.1701
- The Restriction of the Use of Certain Hazardous Substances in Electrical and Electronic Equipment Regulations 2012 SI 2012 No.3032
- The Radio Equipment Regulations 2017 SI 2017 No.1206

Description of the machinery

a) Product:	Generating sets		
b) Function:	producing electrical power		
c) Model	d) Type	e) Serial number	
*1	*1		

Manufacturer

Honda Motor Co., Ltd.
2-1-1 Minamiaoyama, Minato-ku, Tokyo, JAPAN

Authorized representative and able to compile the technical documentation

Honda Motor Europe Ltd
Cain Road, Bracknell, Berkshire,
RG12 1HL, United Kingdom

References to applied standards

EN ISO 8528-13:2016	EN 62479:2010
EN 55012:2007+A1:2009	EN 62368-1:2014+A1:2017
EN 61000-6-1:2007	EN 301 489-1 V2.2.3
	EN 301 489-17 V3.2.4
	EN 300 328 V2.2.2

Outdoor noise Regulations

- | | |
|-------------------------------------|----|
| a) Measured sound power (dB(A)): | *1 |
| b) Guaranteed sound power (dB(A)): | *1 |
| c) Noise parameter (kW): | *1 |
| d) Conformity assessment procedure: | *2 |
| e) Approved body: | *2 |

Done at:	Aalst , BELGIUM
Date:	*2

*2
Head of Certification
Honda Motor Europe Ltd - Aalst Office

*1: see specification page.

*2: see original UK Declaration of Conformity.

*1: voir page de spécifications

*2: voir la Déclaration UK de Conformité originale

*1: Siehe Spezifikationen-Seite

*2: Siehe ursprüngliche UK-Konformitätserklärung

*1: consulte la página de las especificaciones

*2: ver Declaración de conformidad UK original

*1: vedi la pagina delle caratteristiche tecniche

*2: V. Dichiarazione UK di Conformità originale

*1: Zie specificities pagina

*2: Zie ook de originele UK-verklaring van overeenstemming

"EC Declaration of Conformity" CONTENT OUTLINE

"Déclaration CE de Conformité" DESCRIPTION DE TABLE DES MATIERES

"EG-Konformitätserklärung" INHALTSÜBERSICHT

DESCRIPCIÓN GENERAL DEL CONTENIDO DE LA "Declaración de Conformidad CE"

DESCRIZIONE DEL CONTENUTO DELLA "Dichiarazione CE di Conformità"

EC Declaration of Conformity

1. The undersigned, *2, on behalf of the authorized representative, herewith declares that the machinery described below fulfils all the relevant provisions of:

- Directive 2006/42/EC on machinery
- Directive 2014/30/EU on electromagnetic compatibility
- Directive 2000/14/EC – 2005/88/EC on outdoor noise
- Directive 2011/65/EU - (EU) 2015/863 on the restriction of the use of certain hazardous substances in electrical and electronic equipment
- Directive 2014/53/EU on radio equipment

2. Description of the machinery

a) Product:	Generating sets		
b) Function:	producing electrical power		
c) Model	d) Type	e) Serial number	
*1	*1		

3. Manufacturer

Honda Motor Co., Ltd.
2-1-1 Minamiaoyama, Minato-ku, Tokyo, JAPAN

4. Authorized representative and able to compile the technical documentation

Honda Motor Europe Ltd - Aalst Office,
Wijngaardveld 1 (Noord V), 9300 Aalst,
Belgium

5. References to applied standards

EN ISO 8528-13:2016	EN 62479:2010
EN 55012:2007+A1:2009	EN 62368-1:2014+A11:2017
EN 61000-6-1:2007	EN 301 489-1 V2.2.3
	EN 301 489-17 V3.2.4
	EN 300 328 V2.2.2

6. Outdoor noise Directive

a) Measured sound power (dB(A)):	*1
b) Guaranteed sound power (dB(A)):	*1
c) Noise parameter (kW):	*1
d) Conformity assessment procedure:	*2
e) Notified body:	*2

7. Done at:

Aalst , BELGIUM

8. Date:

*2

*2

Head of Certification
Honda Motor Europe Ltd - Aalst Office

*1: see specification page.

*2: see original EC Declaration of Conformity.

*1: voir page de spécifications

*2: voir la Déclaration CE de Conformité originale

*1: Siehe Spezifikationen-Seite

*2: Siehe ursprüngliche EG-Konformitätserklärung

*1: consulte la página de las especificaciones

*2: ver Declaración de conformidad CE original

*1: vedi la pagina delle caratteristiche tecniche

*2: V. Dichiarazione CE di Conformità originale

*1: Zie specificities pagina

*2: Zie ook de originele EG-verklaring van overeenstemming

<p>Français (French) Déclaration CE de Conformité</p> <p>1. Le sous signé, "2, de la part du représentant autorisé, déclare que la machine décrite ci-dessous répond à toutes les dispositions applicables de</p> <ul style="list-style-type: none"> * Directive Machine 2006/42/CE * Directive 2014/30/EU sur la compatibilité électromagnétique * Directive 2000/14/CE - 2005/88/CE des émissions sonores dans l'environnement des matériels destinés à être utilisés à l'extérieur des bâtiments * Directive 2011/65/UE - (UE) 2015/863 relative à la limitation de l'utilisation de certaines substances dangereuses dans les équipements électriques et électroniques * Directive 2014/53/UE concernant les équipements hertziens <p>2. Description de la machine</p> <ul style="list-style-type: none"> a) Produit : Générateur b) Fonction : produire du courant électrique c) Modèle : d) Type e) Numéro de série <p>3. Constructeur</p> <p>4. Représentant autorisé et en charge des éditions de documentation techniques</p> <p>5. Référence aux normes appliquées</p> <p>6. Directive des émissions sonores dans l'environnement des matériels destinés à être utilisés à l'extérieur des bâtiments</p> <ul style="list-style-type: none"> a) Puissance acoustique mesurée b) Puissance acoustique garantie c) Paramètre du bruit <p>7. Procédure d'évaluation de conformité</p> <ul style="list-style-type: none"> a) Organisme notifié <p>7. Fait à : 8. Date</p>	<p>Italiano (Italian) Dichiarazione CE di Conformità</p> <p>1. Il sottoscritto, "2, in qualità di rappresentante autorizzato, dichiara qui di seguito che la macchina sotto descritta soddisfa tutte le disposizioni pertinenti delle:</p> <ul style="list-style-type: none"> * Direttiva macchine 2006/42/CE * Direttiva sulla compatibilità elettromagnetica 2014/30/UE * Direttiva sulle emissioni acustiche delle macchine e attrezzature destinate a funzionare all'aperto 2000/14/CE - 2005/88/CE * Direttiva 2011/65/UE - (UE) 2015/863 sulla restrizione dell'uso di determinate sostanze pericolose nelle apparecchiature elettriche ed elettroniche * Direttiva 2014/53/UE riguardante le apparecchiature radio <p>2. Descrizione della macchina</p> <ul style="list-style-type: none"> a) Prodotto : Generatore b) Funzione : Produzione di energia elettrica c) Modello d) Tipo e) Numero di serie <p>3. Costruttore</p> <p>4. Rappresentante autorizzato e competente per la compilazione della documentazione tecnica</p> <p>5. Riferimento alle norme applicate</p> <p>6. Direttiva sulla emissione acustica delle macchine e attrezzature destinate a funzionare all'aperto</p> <ul style="list-style-type: none"> a) Livello di potenza sonora misurato b) Livello di potenza sonora garantito c) Parametri emissione acustica d) Procedura di valutazione della conformità <p>7. Organismo notificato</p> <p>7. Realizzato a : 8. Data</p>	<p>Deutsch (German) EG-Konformitätserklärung</p> <p>1. Der Unterzeichnende, "2, erklärt hiermit im Namen der Bevollmächtigten, dass das hierunter genannte Maschine allen einschlägigen Bestimmungen der "entspricht</p> <ul style="list-style-type: none"> * Maschinennichtlinie 2006/42/EG * Richtlinie der Elektromagnetischen Kompatibilität 2014/30/EU * Geräuschrichtlinie im Freien 2000/14/EG - 2005/88/EG * Richtlinie 2011/65/UE - (UE) 2015/863 zur Beschränkung der Verwendung bestimmter gefährlicher Stoffe in Elektro- und Elektronikgeräten * Richtlinie 2014/53/UE über Funkanlagen <p>2. Beschreibung der Maschine</p> <ul style="list-style-type: none"> a) Produkt : Stromerzeuger b) Funktion : Strom produzieren c) Modell d) Typ e) Seriennummer <p>3. Hersteller</p> <p>4. Bevollmächtigter und in der Position, die technische Dokumentation zu erstellen</p> <p>5. Verweis auf anzuwendbare Standards</p> <p>6. Geräuschrichtlinie im Freien</p> <ul style="list-style-type: none"> a) gemessene Lautstärke b) Schallleistungspegel c) Geräuschvorgabe d) Konformitätsbewertungs Ablauf <p>7. Benannte Stelle : 8. Datum</p>
<p>Nederlands (Dutch) EG-Verklaring van overeenstemming</p> <p>1. Ondergetekende, "2, in naam van de gemachtigde van de fabrikant, verklaart hiermee dat het hieronder beschreven machine voldoet aan alle toepasselijke bepalingen van :</p> <ul style="list-style-type: none"> * Richtlijn 2006/42/EG betreffende machines * Richtlijn 2014/30/EU betreffende elektromagnetische overeenstemming * Richtlijn 2000/14/EG - 2005/88/EG betreffende geluidsemissie (openlucht) * Richtlijn 2011/65/UE - (UE) 2015/863 betreffende beperking van het gebruik van bepaalde gevaarlijke stoffen in elektrische en elektronische apparatuur * Richtlijn 2014/53/UE betreffende radioapparatuur <p>2. Beschrijving van de machine</p> <ul style="list-style-type: none"> a) Product : Generator b) Functie : elektriciteit produceren c) Model d) Type e) Serienummer <p>3. Fabrikant</p> <p>4. Gemachtigde van de fabrikant en in staat om de technische documentatie samen te stellen</p> <p>5. Referentie voor toegepaste normen</p> <p>6. Geluidsemissierichtlijn (openlucht)</p> <ul style="list-style-type: none"> a) Gemeten geluidsvormingsniveau b) Gewaarborgd geluidsvormingsniveau c) Geluidparameter d) Conformiteitsbeoordelingsprocedure <p>7. Aangemelde instantie : 8. Datum</p>	<p>Dansk (Danish) EF OVERENSSTEMMELSEERKLÆRING</p> <p>1. UNDERTEGNEDE, "2, PÅ VEGNE AF DEN AUTORSERIEDE EMBESETTET, ERKLÆRER HERMED AT MASKINEN, SOM ER BESKREVET I NEDENFOR, OPFYLDER ALLE RELEVANTE BESTEMMELSER I FØLGE:</p> <ul style="list-style-type: none"> * EMC-DIREKTIV 2014/30/EU * EMC-DIREKTIV 2014/30/EU * DIREKTIV OM STØJEMMISSION 2000/14/EF - 2005/88/EF * DIREKTIV 2011/65/UE - (EU) 2015/863 om begrænsning af anvendelsen af visse farlige stoffer i elektrisk og elektronisk udstyr * Direktiv 2014/53/UE om radioudstyr <p>2. BESKRIVELSE AF PRODUKTET</p> <ul style="list-style-type: none"> a) ANVENDELSE: Produktion af elektricitet b) Model c) Model d) TYPE e) SERIENUMMER <p>3. PRODUCENT</p> <p>4. AUTORSERIEDE REPRÆSENTANT OG I STAND TIL AT UDREDE DE DEN TEKNISKE DOKUMENTATION</p> <p>5. Henvisning til anvendte standarder</p> <p>6. DIREKTIV OM STØJEMMISSION FRA MASKINER TIL UDENDRS BRUG</p> <ul style="list-style-type: none"> a) MÅLT LYEFFEKTIVEAU b) GARANTERET LYEFFEKTIVEAU c) STØJPARAMETER d) PROCEDURE FOR OVERENSSTEMMELSESVURDERING <p>7. EMBESETTET ORGAN : 8. DATO</p>	<p>Ελληνικά (Greek) ΕΓΚΛΗΤΗ ΣΥΜΦΩΝΗΣΗ</p> <p>1. Ο κάτωθι υπογεγραμμένος, "2, εκ μέρους του εξουσιοδοτημένου αντιπροσώπου με το παρόν δηλώνει ότι το παρακάτω περιγραφόμενο όχημα πληροί όλες τις σχετικές προδιαγραφές του:</p> <ul style="list-style-type: none"> * Οδηγία 2006/42/ΕΚ για μηχανές * Οδηγία 2014/30/ΕΕ για την ηλεκτρομαγνητική συμβατότητα * Οδηγία 2000/14/ΕΚ - 2005/88/ΕΚ για το επίπεδο θορύβου σε ηλεκτρονικούς χώρους * Οδηγία 2011/65/ΕΕ - (ΕΕ) 2015/863 για την περιορισμό της χρήσης ορισμένων επικίνδυνων ουσιών σε ηλεκτρικά και ηλεκτρονικά εξοπλισμό * Οδηγία 2014/53/ΕΕ σχετικά με το ραδιοεξοπλισμό <p>2. Περιγραφή μηχανολογίας</p> <ul style="list-style-type: none"> a) Προϊόν : Ηλεκτρογεννητικό b) Λειτουργία : για παραγωγή ηλεκτρικής ενέργειας c) Μοντέλο d) Τύπος e) Αριθμός σειράς παραγωγής <p>3. Κρατικός κατασκευαστής</p> <p>4. Εξουσιοδοτημένος αντιπρόσωπος και είναι σε θέση να καταρτίσει τον τεχνικό φάκελο</p> <p>5. Παραπομπή στα σχετικά πρότυπα</p> <p>6. Οδηγία επιπέδου θορύβου ηλεκτρονικών χώρων</p> <ul style="list-style-type: none"> a) Μετρηθέντα ηχητικά ένταση b) Εγγυημένη ηχητική ένταση c) Ηχητική παράμετρος d) Διαδικασία πιστοποίησης <p>7. Οργανισμός πιστοποίησης : 8. Ημερομηνία</p>
<p>Svenska (Swedish) EG-förklaring om överensstämmelse</p> <p>1. Undertecknad, "2, på uppdrag av auktoriserad representant, deklarerar härmed att maskinen beskriven nedan fullgör alla relevanta bestämmelser i:</p> <ul style="list-style-type: none"> * Direktiv 2006/42/EG gällande maskiner * Direktiv 2014/30/EU gällande elektromagnetisk kompatibilitet * Direktiv 2000/14/EG - 2005/88/EG gällande buller utomhus * Direktiv 2011/65/UE - (UE) 2015/863 om begränsning av användning av vissa farliga ämnen i elektrisk och elektronisk utrustning * Direktiv 2014/53/UE om radioutrustning <p>2. Maskinbeskrivning</p> <ul style="list-style-type: none"> a) Produkt : Elverk b) Funktion : producera el c) Modell d) Typ e) Serienummer <p>3. Tillverkare</p> <p>4. Auktoriserad representant och ska kunna sammanställa teknisk dokumentationen</p> <p>5. Referens för tillämpad standard</p> <p>6. Direktiv för buller utomhus</p> <ul style="list-style-type: none"> a) Uppmätt ljudnivå b) Garanterad ljudnivå c) Buller parameter d) Förfarande för bedömning <p>7. Anmälda organ : 8. Datum</p>	<p>Español (Spanish) Declaración de Conformidad CE</p> <p>1. E abajo firmante, "2, en representación del representante autorizado, adjunto declara que la máquina abajo descrita, cumple las condiciones de cumplimiento de:</p> <ul style="list-style-type: none"> * Directiva 2006/42/CE de maquinaria * Directiva 2014/30/UE de compatibilidad electromagnética * Directiva 2000/14/CE - 2005/88/CE de ruido exterior * Directiva 2011/65/UE - (UE) 2015/863 sobre restricciones a la utilización de determinadas sustancias peligrosas en aparatos eléctricos y electrónicos * Directiva 2014/53/UE sobre equipos radioeléctricos <p>2. Descripción de la máquina</p> <ul style="list-style-type: none"> a) Producto : Generador b) Función : Producción de electricidad c) Modelo d) Tipo e) Número de serie <p>3. Fabricante</p> <p>4. Representante autorizado que puede compilar el expediente técnico</p> <p>5. Referencia a normas aplicadas</p> <p>6. Directiva sobre ruido exterior</p> <ul style="list-style-type: none"> a)Potencia sonora medida b)Potencia sonora Garantizada c) Parámetros ruido d) Procedimiento evaluación conformidad <p>7. Organismo notificado</p> <p>7. Realizado en : 8. Fecha</p>	<p>Română (Romanian) CE-Declarația de Conformitate</p> <p>1. Subsemnatul "2, în numele reprezentantului autorizat, declar prin prezenta prezentă ca echipamentul descris mai jos îndeplinește toate condițiile necesare de:</p> <ul style="list-style-type: none"> * Directiva 2006/42/CE privind echipamentul * Directiva 2014/30/UE privind compatibilitatea electromagnetică * Directiva 2000/14/CE - 2005/88/CE privind poluarea fonică în spații deschise * Directiva 2011/65/UE - (UE) 2015/863 privind restricțiile de utilizare a anumitor substanțe periculoase în echipamente electrice și electronice * Directiva 2014/53/UE privind echipamentele hertziene <p>2. Descrierea echipamentului</p> <ul style="list-style-type: none"> a) Domeniu : Motor-generator electric b) Domeniu de utilizare : generarea energiei electrice c) Model d) Tip e) Serie produs <p>3. Producător</p> <p>4. Reprezentant autorizat și abilitat să realizeze documentația tehnică</p> <p>5. Referință la standardele aplicate</p> <p>6. Directiva privind poluarea fonică în spații închise</p> <ul style="list-style-type: none"> a) Puterea acustică măsurată b) Putere acustică maximă garantată c) Indice poluare fonică d) Procedura de evaluare a conformității <p>7. Emissia la : 8. Data</p>
<p>Português (Portuguese) Declaração CE de Conformidade</p> <p>1. O abaixo assinado, "2, declara deste modo, em nome do mandatário, que o máquina abaixo descrito cumpre todas as estipulações relevantes de:</p> <ul style="list-style-type: none"> * Directiva 2006/42/CE de máquina * Directiva 2014/30/UE de compatibilidade electromagnética * Directiva 2000/14/CE - 2005/88/CE de ruido exterior * Directiva 2011/65/UE - (UE) 2015/863 relativa à restrição do uso de determinadas substâncias perigosas em equipamentos eléctricos e electrónicos * Directiva 2014/53/UE relativa aos equipamentos de rádio <p>2. Descrição da máquina</p> <ul style="list-style-type: none"> a) Produto : Gerador b) Função : produção de energia eléctrica c) Modelo d) Tipo e) Número de série <p>3. Fabricante</p> <p>4. Mandatário com capacidade para compilar documentação técnica</p> <p>5. Referência às normas aplicadas</p> <p>6. Directiva de ruido exterior</p> <ul style="list-style-type: none"> a) Potência sonora medida b) Potência sonora garantida c) Parâmetro de ruído d) Procedimento de avaliação da conformidade <p>7. Feito em : 8. Data</p>	<p>Polski (Polish) Deklaracja zgodności WE</p> <p>1. Niżej podpisywany, "2, w imieniu upoważnionego przedstawiciela, niniejszym deklaruje, że urządzenie opisane poniżej spełnia wszystkie obowiązujące postanowienia:</p> <ul style="list-style-type: none"> * Dyrektywa Maszynowa 2006/42/WE * Dyrektywa Kompatybilności Elektromagnetycznej 2014/30/UE * Dyrektywa Hałasowa 2000/14/WE - 2005/88/WE * Dyrektywy 2011/65/UE - (UE) 2015/863 w sprawie ograniczenia stosowania niektórych niebezpiecznych substancji w sprzęcie elektrycznym i elektronicznym * Dyrektywa 2014/53/UE w sprawie urządzeń radiowych <p>2. Opis urządzenia</p> <ul style="list-style-type: none"> a) Produkt : Agregat prądowy b) Funkcja : produkacja energii elektrycznej c) Model d) Typ e) Numer seryjny <p>3. Producent</p> <p>4. Upoważniony Przedstawiciel oraz osoba upoważniona do przygotowania dokumentacji technicznej</p> <p>5. Odwołanie do zastosowanych norm</p> <p>6. Dyrektywa Hałasowa</p> <ul style="list-style-type: none"> a) Zmierzony poziom mocy akustycznej b) Gwarantowany poziom mocy akustycznej c) Wartość hałasu d) Procedura oceny zgodności <p>7. Miejsce : 8. Data</p>	<p>Suomi (Suomen kieli (Finnish)) EY-VAKUUTUSLUPAUS/VAKUUTUS</p> <p>1. Allekirjoittanut, "2, valtuutettuna valmistajan edustajana, vakuuttaa täten että alla mainittu kone/laite täyttää kaikki seuraavissa määrityksissä:</p> <ul style="list-style-type: none"> * Kone/direktiivi 2006/42/EY * Direktiivi 2014/30/EU sähkömagneettisesta yhteensopivaisuudesta * Direktiivi 2000/14/EY - 2005/88/EY ympäristön melusta * Direktiivi 2011/65/UE - (EU) 2015/863 tiettyjen vaarallisten aineiden käytön rajoittamisesta sähkö- ja elektroniikkalaitteissa * Direktiivi 2014/53/UE radiolaitteista <p>2. TUOTTEEN KUVAUS</p> <ul style="list-style-type: none"> a) Tuote : Aggregaatti b) Toiminto : sähköä tuottaminen c) Malli : d) Tyyppi e) SARJANUMERO <p>3. VALMISTAJA</p> <p>4. Valmistajan edustaja ja teknisten dokumenttien laatija</p> <p>5. Viittaus sovellettuihin standardeihin</p> <p>6. Ympäristön meludirektiivi</p> <ul style="list-style-type: none"> a) Mittauksen melutaso b) Todennäköinen melutaso c) Melu parametrit d) Yhteensopivuuden arvioinnin menetelmä <p>7. Tehty : 8. PÄIVÄMÄÄRÄ</p>

<p>Magyar (Hungarian) EK-megfelelési nyilatkozata</p> <ol style="list-style-type: none"> 1. Alulírott "2" a gyártó cég törvényes képviselőjének nyilatkozom, hogy az általam gyártott gép megfelel az összes, alább felsorolt direktívák és szabványok követelményeinek: <ul style="list-style-type: none"> * 2006/42/EK Direktívának berendezésekre * 2014/30/EU Direktívának elektromágneses megfeleléségre * 2004/104/EK - 2005/88/EK Direktívának kűlléri zajszintre * Tanács 2011/65/EU - (EU) 2015/863 egyes veszélyes anyagok elvezetésére és elektromos berendezéseken való alkalmazásának korlátozásáról * 2014/53/EU irányelve a rádiónberendezésekről 2. A gép leírása <ul style="list-style-type: none"> a) Termék : Aramfélesztő b) Funkció : elektromos áram előállítás c) Model : d) Típus e) Sorozatszám f) Gyártó 3. A meghatalmazott képviselő és képes összeállítani a műszaki dokumentációt 4. Referencia az alkalmazott szabványokhoz 6. Kűlléri zárszint Direktiva a) Mért hangerő b) Szavaltól hangerő c) Zárszint paraméter d) Megfeleléségi becslési eljárás e) Kűllött szavcszvet f) Keltzés helye g) Keltzés ideje 	<p>Cestina (Czech) ES – Prohlášení o shodě</p> <ol style="list-style-type: none"> 1. Podpisy "2", jako autorizovaný osoba zde potvrzuje, že stroj popsaný níže splňuje požadavky příslušných opatření: <ul style="list-style-type: none"> * Směrnice 2006/42/ES pro stroji zařízení * Směrnice 2014/30/EU stanovující technické požadavky na výrobky z hlediska elektromagnetické kompatibility * Směrnice 2004/104/ES - 2005/88/ES stanovující technické požadavky na výrobky z hlediska emisí hluku zařízení pro užití v průmyslu * Rády 2011/65/EU - (EU) 2015/863 o omezení používání některých nebezpečných látek v elektrických a elektronických zařízeních * Směrnice 2014/53/EU o rádiových zařízeních 2. Popis stroje a) Výrobek : Elektrocentrála b) Funkce : Výroba elektrické energie c) Model : d) Typ e) Sériové číslo f) Výrobce <ol style="list-style-type: none"> 4. Zpřístupněný zástupce a osoba pověřená komplectací technické dokumentace 5. Odkaz na platné standardy 6. Osměrnice pro hluk pro venkovní použití a) Naměřený akustický výkon b) Garantovaný akustický výkon c) Parametr hluku d) Způsob posouzení shody e) Notifikovaná osoba f) Podpisovaný v 8. Datum 	<p>Latviešu (Latvian) EK atbilstības deklarācija</p> <ol style="list-style-type: none"> 1. "2" ar savu parakstu zem šī dokumenta, autorizāti pārstāvja vārdu, paziņo, ka zemāk aprakstīto mašīna, atbilst visiem zemāk norādīto direktīvu prasībām: <ul style="list-style-type: none"> * Direktīva 2006/42/EK par mašīnām * Direktīva 2014/30/ES attiecībā uz elektromagnētiskās saderīgumības prasībām * Direktīva 2000/14/EK - 2005/88/EK par trokšņa emisiju vidi * Direktīva 2011/65/ES - (ES) 2015/863 par dažu bīstamu vielu izmantošanas ierobežošanu elektriskās un elektroniskās iekārtās * Direktīva 2014/53/ES par radioiekārtām 2. Iekārtas apraksts a) Produkta : Ģenerators iekārta b) Funkcija : elektriskās strāvas ražošana c) Modelis : d) Tīps e) Sērijas numurs f) Ražotājs <ol style="list-style-type: none"> 4. Pieejamais pārstāvis, kas pastāstīdāt tehnisko dokumentāciju 5. Atsauces uz piemērojamiem standartiem 6. Ģerģa trokšņa Direktīva a) Izmērītā trokšņa līmenis b) Pielūdzamais trokšņa līmenis c) Trokšņa parametri d) Atbilstības vērtējuma procedūra e) Informācija iestādei f) Vieta 8. Datums
<p>Slovenčina (Slovak) ES vyhlásenie o zhode</p> <ol style="list-style-type: none"> 1. Doložený "2", ako autorizovaný zástupca výrobcu, týmto vyhlasuje, že uvedený stroj/ve je v zhode s nasledovnými smernicami: <ul style="list-style-type: none"> * Smernica 2006/42/ES (Strojné zaradenie) * Smernica 2014/30/EU (Elektromagnetická kompatibilita) * Smernica 2000/14/ES - 2005/88/ES (Emisie hluku) * Rady 2011/65/EU - (EU) 2015/863 o obmedzení používania určitých nebezpečných látok v elektrických a elektronických zariadeniach * Smernica 2014/53/EU o rádiovom zaradení 2. Popis stroja a) Produkt : Elektrocentrála b) Funkcia : Výroba elektrického napätia c) Model : d) Typ e) Výrobné číslo f) Výrobca <ol style="list-style-type: none"> 4. Autorizovaný zástupca schopný zostaviť technickú dokumentáciu 5. Referencia na použité normy 6. Smernica pre emisie hluku vo vonšom priestranstve a) Nameraná hladina akustického výkonu b) Zarúčaná hladina akustického výkonu c) Rozmer d) Procedúra posudzovania zhody e) Notifikovaná osoba f) Miesto 8. Datum 	<p>Eesti (Estonian) EU vastavusdeklaratsioon</p> <ol style="list-style-type: none"> 1. "2" autoriseeritud isik avaldab allkirjastades, "2" võltsitud esindaja nimel, et allpool kirjeldatud masina vastab kõikidele alljärgnevatel direktiivide sätetele: <ul style="list-style-type: none"> * Masinate direktiiv 2006/42/EÜ * Elektromagnetilise ühilduvuse direktiiv 2014/30/EÜ * Helu emissiooni direktiiv 2000/14/ES - 2005/88/EÜ * Direktiiv 2011/65/EÜ - (EL) 2015/863 teatavate ohtlike ainete kasutamise piiramise kohta elektri- ja elektronikaesemetes * 2014/53/EÜ raadioseadmiste 2. Seadmete kirjeldus a) Toode : Generator b) Funktsioon : elektrienergia tootmine c) Model : d) tüüp e) Seari number f) Tootja <ol style="list-style-type: none"> 4. Võltsitud esindaja, kes on pädev täita tehnilist dokumentatsiooni 5. Viide kohaldatavale standarditele 6. Välistatud direktiiv a) Mõõdetud helivõimsuse tase b) Lubatud helivõimsuse tase c) Mõõt parameeter d) Vastavushindamismeetlus e) Teavitatud asutus f) Kõht 8. Kuupäev 	<p>Slovensčina (Slovenian) ES izjava o skladnosti</p> <ol style="list-style-type: none"> 1. Spodaj podpisani "2", ki je pooblaščen oseba v imenu proizvajalca izjavlja, da stroji opisana stroj ustreza vsem nevedenim direktivam: <ul style="list-style-type: none"> * Direktiva 2006/42/ES o strojih * Direktiva 2014/30/EU o elektromagnetni združljivosti * Direktiva 2000/14/ES - 2005/88/ES o hrupnosti * Direktiva 2011/65/EU - (EU) 2015/863 o omejevanju uporabe nekaterih nevarnih snovi v električni in elektronski opremi * Direktiva 2014/53/EU o radijski opremi 2. Opis naprave a) Proizvod : Agregat za proizvodnjo el. energije b) Funkcija : proizvodnja električne energije c) Model d) Tip e) Serijska številka f) Proizvajalec <ol style="list-style-type: none"> 4. Pooblaščen predstavnik ki lahko predloži tehnično dokumentacijo 5. Sklic na uporabljene standarde 6. Direktiva o hrupnosti a) Izmerjena zvočna moč b) Garantirana zvočna moč c) Parametri d) Postopek e) Postopek opravi f) Koli 8. Datum
<p>Lietuvių kalba (Lithuanian) ES atitikties deklaracija</p> <ol style="list-style-type: none"> 1. Įgaliotasis žmogus vardu pasirašęs "2" patvirtina, kad žemiau aprašytą mašiną atitinka visos išvardintų direktyvų nuostatos: <ul style="list-style-type: none"> * Mechanizmų direktyva 2006/42/EB * Elektromagnetinio suderinamumo direktyva 2014/30/ES * Triukšmo laukų direktyva 2000/14/EB - 2005/88/EB * Direktyva 2011/65/ES - (ES) 2015/863 dėl tam tikrų pavojingų medžiagų naudojimo elektrinėse ir elektroninėse įrangose apribojimo * Direktyva 2014/53/ES dėl radijo ryšio įrenginių 2. Mašinos aprašymas a) Gaminy : Generatorius b) Funkcija : elektrinės energijos gamimas c) Modelis : d) Tūpas e) Serijos numeris f) Gamytojas <ol style="list-style-type: none"> 4. Įgaliotasis atstovas ir galintis sudaryti techninę dokumentaciją 5. Nuoroda į taikytus standartus 6. Triukšmo laukų direktyva a) Išmatuotas garso galtingumo lygis b) Garantuojamas garso galtingumo lygis c) Triukšmo parametrai d) Tūpas e) Registruota įstaiga f) Vieta 8. Data 	<p>Български (Bulgarian) EU декларация за съответствие</p> <ol style="list-style-type: none"> 1. Игалиотисо жингоис вврду писаршес "2", от името на изпълномощия представител, с настоящото декларирам, че машината, описана по-долу, отговаря на всички съответни разпоредби на: <ul style="list-style-type: none"> * Директива 2006/42/ЕО относно машините * Директива 2014/30/ЕО относно електромагнитната съвместимост * Директива 2000/14/ЕО - 2005/88/ЕО относно шумовите емисии на съоръжения, предназначени за употреба извън сградите * Директива 2011/65/ЕУ - (ЕУ) 2015/863 година ограничаване на употребата на определени опасни вещества в електрическото и електронното оборудване * Директива 2014/53/ЕУ относно радиосъоръженията 2. Описание на машината a) Продукт : генераторен комплект b) Функция : производство на електроенергия c) Модел : d) Тип e) Сериен номер f) Производител <ol style="list-style-type: none"> 4. Упълномощен представител и отговорник за съставяне на техническа документация 5. Препратка към приложимите стандарти 6. Директива относно шумовите емисии на съоръжения, предназначени за употреба извън сградите a) Измерена звукова мощност b) Гарантирана звукова мощност c) Параметърът шум d) Процедура за оценка на съответствието e) Нотифициран орган f) Местно на изготвяне 8. Дата на изготвяне 	<p>Norsk (Norwegian) EF-Samsvarserklaring</p> <ol style="list-style-type: none"> 1. Underkjennede "2" på vegne av autorisert representant herved erklærer på maskinen beskrevet nedenfor innfrir relevant informasjon fra følgende forskrifter: <ul style="list-style-type: none"> * Maskindirektiv 2006/42/EF * Direktiv EMC 2014/30/EU om elektromagnetisk kompatibilitet * Direktiv om støy utslipp 2000/14/EF - 2005/88/EF * Direktiv 2011/65/EU - (EU) 2015/863 om restriksjoner av bruk av visse farlige stoffer i elektrisk og elektronisk utstyr. * Direktiv 2014/53/EU om radio utstyr 2. Beskrivelse av produkt a) Produkt : Generator b) Funksjon : Produdere strøm c) Modell d) Type e) Serienummer f) Produsent <ol style="list-style-type: none"> 4. Autorisert representant og i stand til å utarbeide den tekniske dokumentasjonen 5. Henvisning til brukte standarder 6. Utendørs direktiv får støy a) Målt støy b) Maks støy c) Konstant støy d) Verdi vurderings prosedyre e) Gjeldende kjeller/kropp/stamme/skrog f) Sted 8. Dato
<p>Türk (Turkish) AT Uygunluk Beyanı</p> <ol style="list-style-type: none"> 1. Aşağıda imzası bulunan "2", yetkili temsilci olarak, bu beyanla birliks aşğıdaki makine ile ilgili tüm hükümlerle ilgili olarak beyan etmektedir: <ul style="list-style-type: none"> * Makina Emisyon Yönetmeliği 2006/42/AT * Elektromanyetik Uyumluluk Yönetmeliği 2014/30/AB * Açık Alanda Kullanılan Teçhizat Tarafından Üçtürulan Çevresel Gürültü Emisyonu ile İlgili Yönetmelik 2000/14/AT - 2005/88/AT * 2011/65/AB - (AB) 2015/863 elektrikli ve elektronik ekipmanlar için belirli maddelerin kullanımını yasaklayan maddelerin ilgili yönetmelik * Radyo Ekipmanlarının 2014/53/AB sayılı direktif 2. Makinenin tanıtı a) Ürün : Jeneratör grubu b) İşlevi : Elektrik gücü üretimi c) Model : d) Tipi e) Seri numarası f) İmalatçı <ol style="list-style-type: none"> 4. Teknik dosyayı hazırlamakla yetkili olan Toplumla ilişkili yetkili temsilci 5. Uygulanın standartlara istinaden 6. Açık alan gürültü yönetmeliği a) Ölçülen ses gücü b) Garant edilmiş ses gücü c) Gürültü parametresi d) Uygunluk değerlendirme prosedürü e) Onaylanmış kuruluş f) Beyanın yeri : 8. Beyanın tarihi : 	<p>Isleńska (Icelandic) EÜ-Samræmifærslaga</p> <ol style="list-style-type: none"> 1. Undirritað "2" sláðstíðir hér með fyrir hönd lögmáta aðila að upplýsingar um vöðnað hér að neðan eru teigandi hávað varðar alla tilheyrandi málfálkanna, svo sem: <ul style="list-style-type: none"> * "Leifbeningar fyrir vöðnað 2006/42/EB * "Leifbeningar fyrir rafsegulvið 2014/30/EB * "Leifbeningar um hávaðamegningu 2000/14/EB-2005/88/EB * "Tilvikun 2011/65/EB" - (EU) 2015/863 varðandi leifbeningar um notkun á hættulegum efnum i raf og rafanda búnaði * "Tilvikun 2014/53/EB um útpóststaki 2. Lýsing á vöðnaði a) Okultak : Rafstöðvar b) Virki : Framleiðsla á rafmagn c) Gerð : d) Tegund e) Séríal number f) Framleiðandi <ol style="list-style-type: none"> 4. Löggildir aðilar og fær um að taka saman tekniskilgölin 5. Tíviskun til viðeigandi staða 6. "Leifbeningar um hávaðamegningu a) Mældur hávaða styrkur b) Staðfestur hávaða styrkur c) Hávaða breytileiki d) Staðfesting á gæðastaðlum e) Mörkingar f) Gert hjá 8. Dagsetning 	<p>Hrvatski (Croatian) EK izjava o skladnosti</p> <ol style="list-style-type: none"> 1. Podpisani "2", u ime ovlaštenog predstavnika, ovime izjavljuju da stroji navedeni u nastavku ispunjavaju sve važne odredbe: <ul style="list-style-type: none"> * Propisa za strojeve 2006/42/EK * Propisa o elektromagnetnoj kompatibilnosti 2014/30/EU * Propisa o buci na otvorenom 2000/14/EK-2005/88/EK * Direktiva 2011/65/EU - (EU) 2015/863 o ograničenju određeni opasnih tvari u električnoj i elektronskoj opremi * Direktiva 2014/53/EU o radijskoj opremi 2. Opis stroja a) Proizvod : Agregat b) Funkcionalnost : proizvodnja električnu energiju c) Model : d) Tip e) Serijski broj f) Proizvođač <ol style="list-style-type: none"> 4. Ovlašten predstavnik i osoba za sastavljanje tehničke dokumentacije 5. Referencija na primjenjene standarde 6. Propis o buci na otvorenom a) Izmjerena jačina zvuka b) Zajamčena jačina zvuka c) Parametri buke d) Postupak za ocjenu skladnosti e) Obavješeno tijelo f) 8. Datum

HONDA

EU32i
36Z45600
00X36-Z45-6000



00X36Z45 6000

EN1

© Honda Motor Co., Ltd. 2021



Printed in Japan